



www.jourdain-group.com

JOURDAIN

WORLD LEADER IN CATTLE TUBULAR



W COW CALF

N°33

SEPTEMBER 2018

54 YEARS
OF INNOVATION

MADE IN FRANCE

WELCOME

JOURDAIN, A COMPANY WITH A WORLDWIDE REPUTATION

Our company's aim is to meet all of our clients' requirements by offering high quality products and service to our network of dealers and to livestock producers.

Innovation and the renewal of our product range are essential for JOURDAIN'S development both at national and international level.

As a company we constantly review ourselves at all levels: conception, manufacture, commercialisation, the dispatch of our products, all with the help of the 220 members of our workforce who guarantee high-quality French manufacturing.

Our growing presence on the export front confirms our worldwide reputation.

JOURDAIN is renowned for its capacity for innovation and the quality and strength of its products.

It is essential that we maintain these high standards.

Dominique and Didier JOURDAIN



JOURDAIN

WORLD LEADER IN CATTLE TUBULAR

www.jourdain-group.com



A TEAM AT YOUR SERVICE THE JOURDAIN DYNAMICS



NEW PRODUCTS

TO DISCOVER IN THE VARIOUS JOURDAIN CATALOGUES



220

JOURDAIN EMPLOYEES

LOYAL, EXPERT AND ALWAYS KEEN TO PROVIDE YOU WITH THE HIGHEST QUALITY



2,100 m²

OF SHOWROOM SPACE

+ 310 M² PROTOTYPE WORKSHOPS
+ 100 M² DESIGN OFFICES



180

TONNES DISPATCHED PER DAY

CONFIRMING OUR DYNAMISM



+ THAN 75

PATENTS APPLIED FOR,

SINCE 1964 FOR CONCEPTION, INNOVATION AND DESIGN



COWS

HEADLOCKS	4
FEED BARRIERS	28
BARRIERS	38
POSTS-ACCESSORIES	66
CUBICLES	80
FEEDERS-HAY RACKS	102
PANEL FOR HANDLING AREAS	112



CALVES UP TO 6 MONTHS

HEADLOCKS	114
FEED BARRIERS	118
BARRIERS	120
POSTS-ACCESSORIES	128
CUBICLES	138
FEEDERS-HAY RACKS	144
CALF PENS	148



INFORMATION AND RECOMMENDATIONS 152



ADVICE FOR THE INSTALLATION OF HEADLOCKS



Size guides
for average
sized
adult cows

	A
Adult cow	55/65 cm
Heifer	45/55 cm

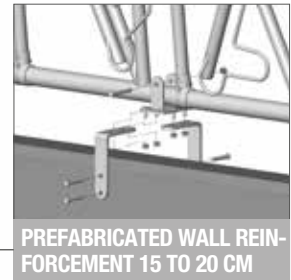


A
40/50 cm

20 cm

Leave 5 cm
Space required
in the event of a central
wall reinforcement

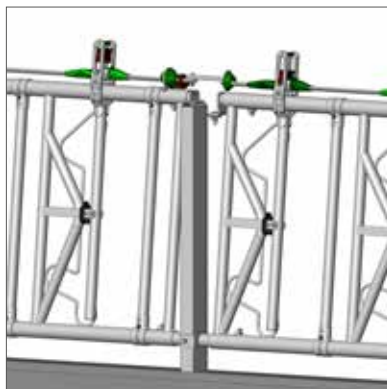
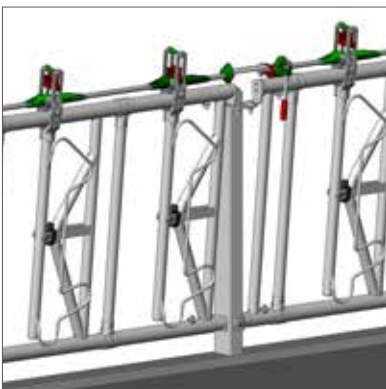
+15/18 cm IMPERATIVE



PREFABRICATED WALL REINFORCEMENT 15 TO 20 CM



REINFORCEMENT FOR SETTING IN

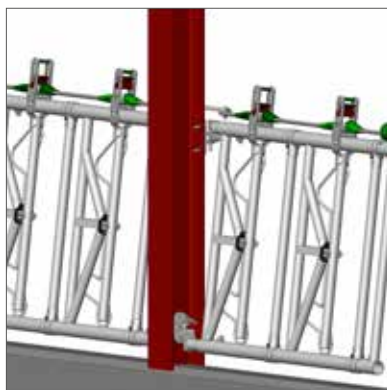
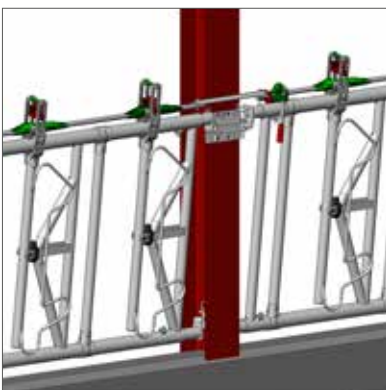


IMPERATIVE

It is essential to set in a reinforcement for 4, 5 and 6 metre panels.

HEADLOCK ASSEMBLY ON SAFETY® IV POST

Apply bituminous paint to the base of the post.



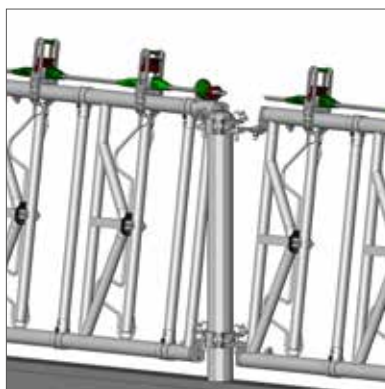
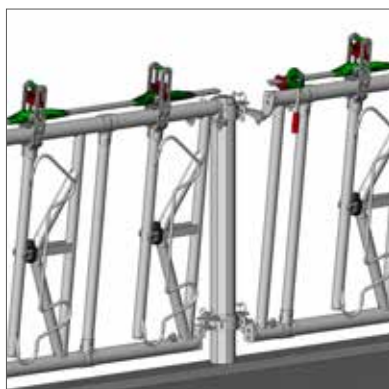
HEADLOCK ASSEMBLY BRACKETS

Standard ends held in a double bracket on the upper outside face with a single bracket inside the staunchon to obtain a slope of 10 to 12 cm maximum enabling the linkages to be connected.

Do not forget the reinforcement for setting in.



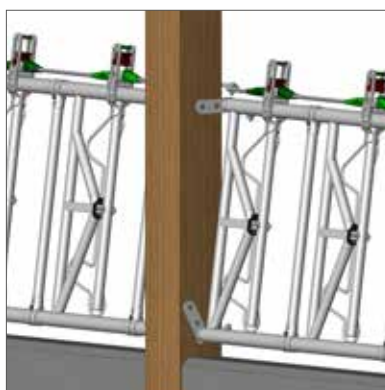
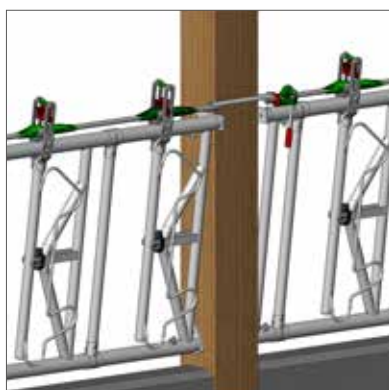
! WARNING!
CHOOSE A 10 CM SLOPE.
 A gentle slope improves HEADLOCK operation.



SAFETY® IV, AXIAL II AND RC II

MOUNTING HEADLOCKS ON A 102 MM OCTAGONAL POST

Assembly with the slope bar on top. Apply bituminous paint to the base of the post.



MOUNTING HEADLOCKS ON A WOODEN POST

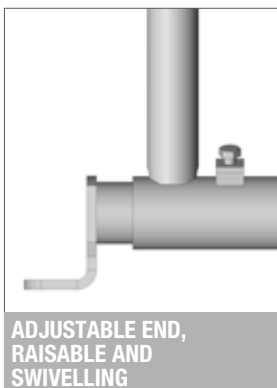
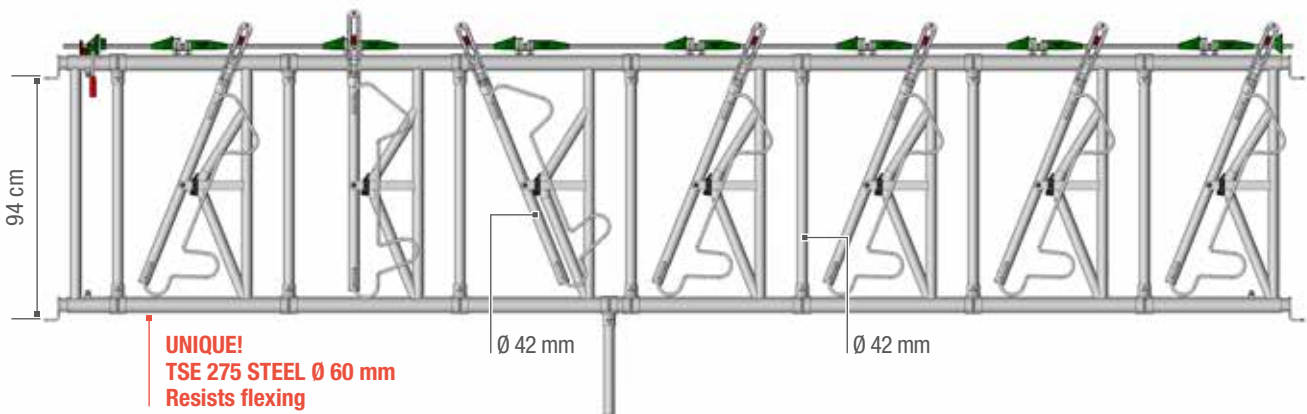
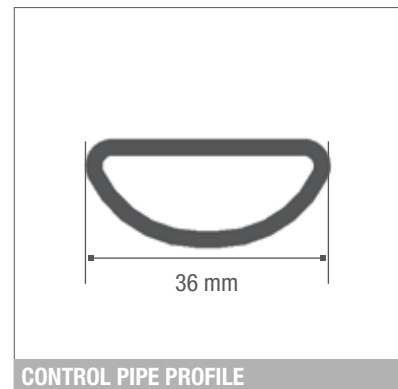
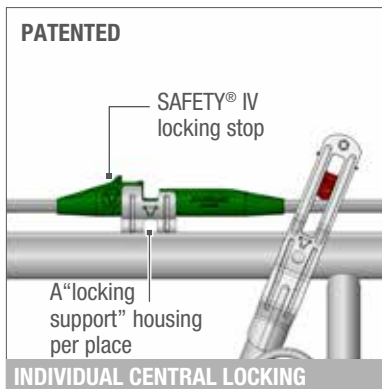
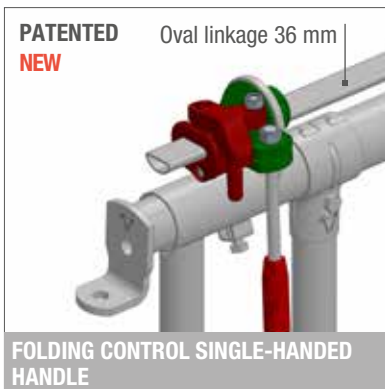
The ends are fixed to the post with a slope of 10 to 12 cm maximum enabling the linkages to be joined together. Don't forget the reinforcement for setting in, in order to prevent the ends from breaking.



SAFETY® IV HEADLOCKS



HEADLOCKS FOR SAFETY



THE SAFETY® PANEL IS SUITABLE FOR DEHORNED DAIRY CATTLE. It is not suitable for fattening bullocks. The clearance in the lower half enables the herdsman to free fallen cattle easily. The nominal lengths correspond with the dimensions of the 102 mm posts from centre to centre.

IMPERATIVE

It is essential to set in a reinforcement for 4, 5 and 6 metre panels.

HEADLOCKS

SAFETY® IV ADJUSTABLE

SQ0110	Panel SAFETY®	1/1	(1 adult animal per 1 m)		29 kg
SQ0216	Panel SAFETY®	2/1.60	(2 adult animals per 1.60 m)		48 kg
SQ0320	Panel SAFETY® HEIFER	3/2	(3 animals 12 to 18 months per 2 m) !		70 kg
SQ0430	Panel SAFETY®	4/3	(4 adult animals per 3 m)	(Pack x 6)	90 kg
SQ0534	Panel SAFETY®	5/3.40	(5 adult animals per 3.40 m)	(Pack x 6)	105 kg
SQ0644	Panel SAFETY®	6/4.40	(6 adult animals per 4.40 m)	(Pack x 6)	129 kg
	N.B. 5/3.40 + 2/1.60 =		(7 adult animals per 5 m)		
	6/4.40 + 2/1.60 =		(8 adult animals per 6 m)		
SQ0854	Panel SAFETY®	8/5.40	(8 animals 18 to 24 months per 5.40 m) !	(Pack x 6)	174 kg
4 m					
SQ0540	Panel SAFETY®	5/4	(5 adult animals per 4 m)	(Pack x 6)	116 kg
SQ0640	Panel SAFETY®	6/4	(6 adult animals per 4 m)	(Pack x 6)	125 kg
SQ0740	Panel SAFETY® HEIFER	7/4	(7 animals 6 to 14 months per 4 m) !	(Pack x 6)	145 kg
5 m					
SQ0650	Panel SAFETY®	6/5	(6 adult animals per 5 m)	(Pack x 6)	147 kg
SQ0750	Panel SAFETY®	7/5	(7 adult animals per 5 m)	(Pack x 12)	156 kg
SQ0850	Panel SAFETY®	8/5	(8 animals 18 to 24 months per 5 m) !	(Pack x 6)	168 kg
SQ0950	Panel SAFETY® HEIFER	9/5	(9 animals 6 to 14 months per 5 m) !	(Pack x 6)	186 kg
6 m					
SQ0860	Panel SAFETY®	8/6	(8 adult animals per 6 m)	(Pack x 12)	186 kg
SQ0960	Panel SAFETY®	9/6	(9 animals 18 to 24 months per 6 m) !	(Pack x 6)	190 kg
SQ1060	Panel SAFETY®	10/6	(10 animals 12 to 18 months per 6 m) !	(Pack x 6)	206 kg
SQ1160	Panel SAFETY® HEIFER	11/6	(11 animals 6 to 14 months per 6 m) !	(Pack x 6)	228 kg

HEADLOCKS

SAFETY® IV FIXED

THE FIXED YOKE SAFETY® HEADLOCK IS ONLY SUITABLE FOR DAIRY HERDS.

5 m					
SQ1750	Panel SAFETY® FIXED	7/5	(7 adult animals per 5 m)	(Pack x 12)	147 kg
SQ1850	Panel SAFETY® FIXED	8/5	(8 animals 12 to 24 months per 5 m) !	(Pack x 6)	160 kg
6 m					
SQ1860	Panel SAFETY® FIXED	8/6	(8 adult animals per 6 m)	(Pack x 12)	182 kg



! THE AGE IS ONLY GIVEN AS AN EXAMPLE.
Please adjust the settings to suit your stock.



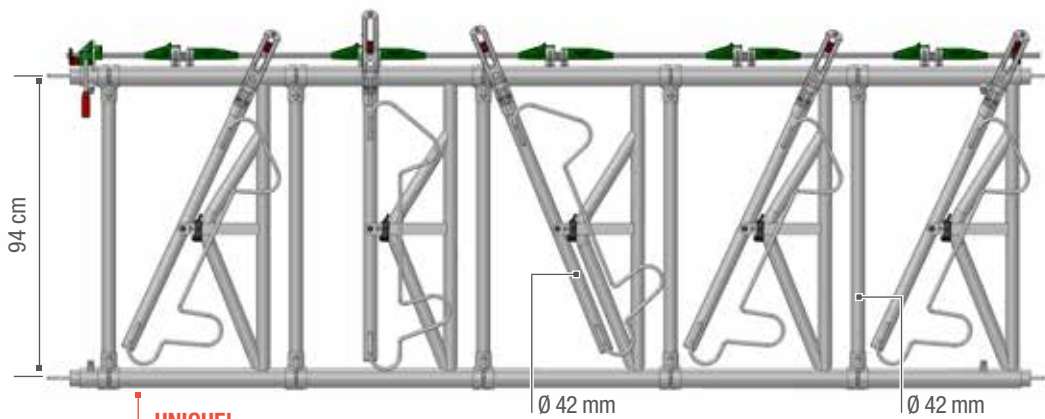
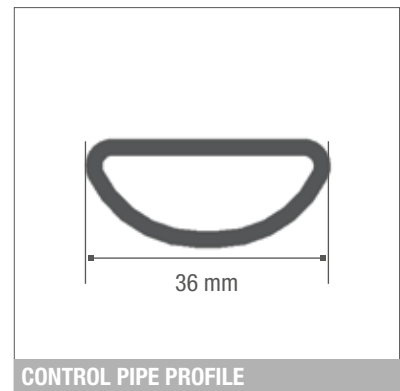
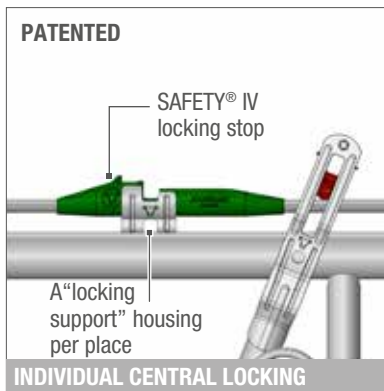
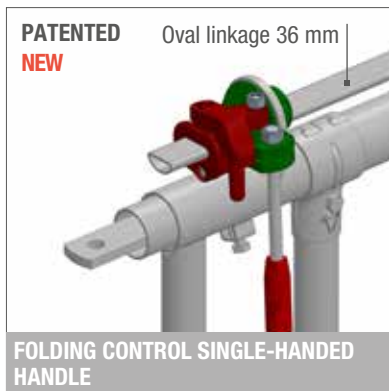
SAFETY® IV

HEADLOCKS

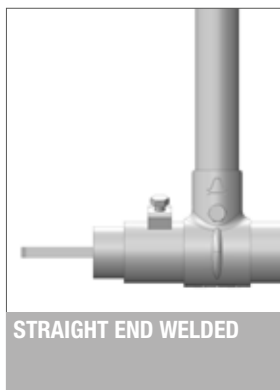
EXPORT MODEL



HEADLOCKS FOR SAFETY



UNIQUE!
TSE 275 STEEL Ø 60 mm
Resists flexing



THE EXPORT MODEL OF THE SAFETY® IV HEADLOCK HAS SPECIFIED LENGTHS;
The nominal lengths correspond with the dimensions of the 102 mm posts from centre to centre.

IMPERATIVE

It is essential to set in a reinforcement
for 4.60 and 4.80 meter panels.

HEADLOCKS

SAFETY® IV ADJUSTABLE EXPORT MODEL

(WITH STRAIGHT WELDED ENDS)

SQ0426	Panel SAFETY®	4/2.60	(4 animals 18 to 24 months per 2.60 m) !	(Pack x 12)	80 kg
SQ0532	Panel SAFETY®	5/3.20	(5 animals 18 to 24 months per 3.20 m) !	(Pack x 12)	100 kg
SQ0538	Panel SAFETY®	5/3.80	(5 animals 18 to 24 months per 3.80 m) !	(Pack x 12)	108 kg
SQ0632	Panel SAFETY® HEIFER	6/3.20	(6 animals 6 to 14 months per 3.20 m) !	(Pack x 12)	114 kg
SQ0638	Panel SAFETY®	6/3.80	(6 animals 18 to 24 months per 3.80 m) !	(Pack x 12)	120 kg
SQ0738	Panel SAFETY® HEIFER	7/3.80	(7 animals 6 to 14 months per 3.80 m) !	(Pack x 12)	121 kg

HEADLOCKS

SAFETY® IV ADJUSTABLE EXPORT MODEL

(WITH STANDARD ENDS NON-ASSEMBLED)

SQ0746	Panel SAFETY®	7/4.60	(7 animals 18 to 24 months per 4.60 m) !		150 kg
SQ0748	Panel SAFETY®	7/4.80	(7 animals 18 to 24 months per 4.80 m) !		152 kg
SQ0846	Panel SAFETY® HEIFER	8/4.60	(8 animals 6 to 14 months per 4.60 m) !		165 kg

HEADLOCKS

SAFETY® IV FIXED EXPORT MODEL

(WITH STRAIGHT WELDED ENDS)

THE FIXED YOKE SAFETY® HEADLOCK IS ONLY SUITABLE FOR DAIRY HERDS.

SQ1426	Panel SAFETY® FIXED	4/2.60	(4 animals 18 to 24 months per 2.60 m) !	(Pack x 12)	80 kg
SQ1532	Panel SAFETY® FIXED	5/3.20	(5 animals 18 to 24 months per 3.20 m) !	(Pack x 12)	94 kg
SQ1638	Panel SAFETY® FIXED	6/3.80	(6 animals 18 to 24 months per 3.80 m) !	(Pack x 12)	110 kg

HEADLOCKS

SAFETY® IV BIO ADJUSTABLE MODEL

(WITH STANDARD ENDS ASSEMBLED)

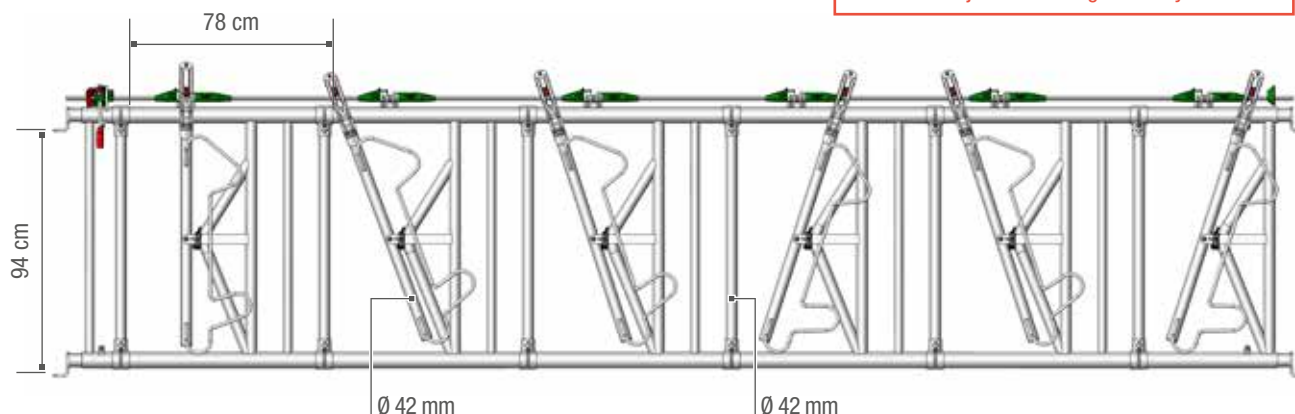
The SAFETY® IV headlock with adjustable yoke guarantees optimal comfort for the adult animal according to the standards described as bio in certain countries.

The space per animal is 78 cm in contrast with the 68 cm available in a standard dairy cow model.

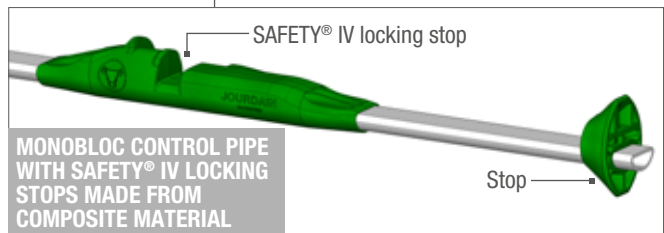
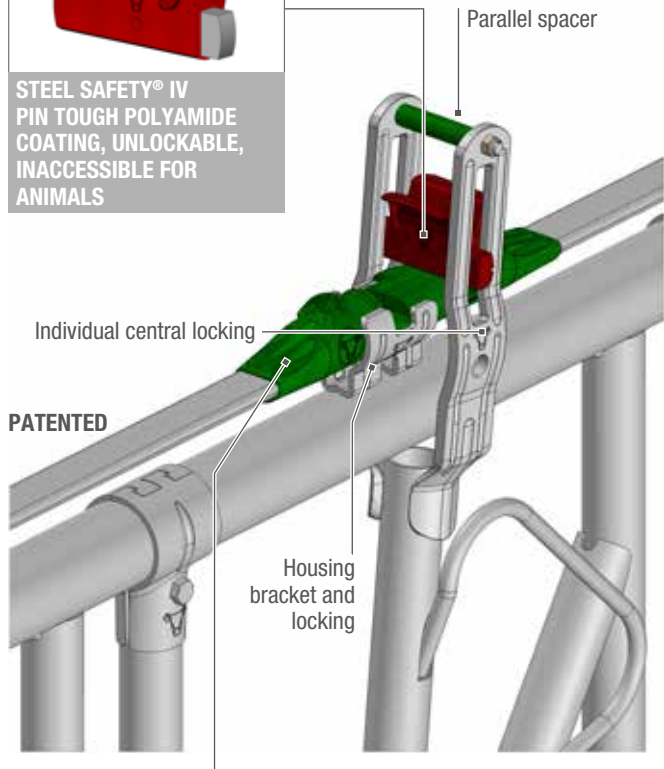
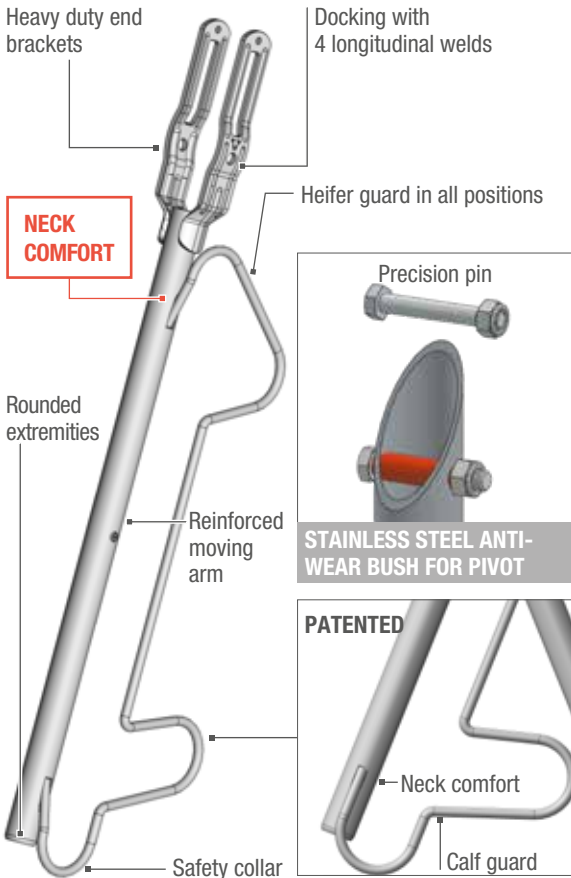
Please note: The nominal lengths correspond to the dimensions of the 102 mm posts from centre to centre.

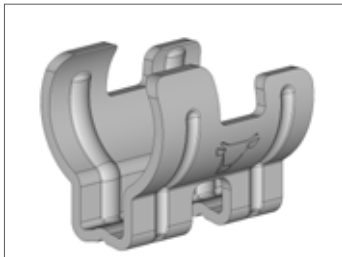
SQ0541	Panel SAFETY® IV	5/4.10	(5 adult animals per 4.10 m)	(Pack x 6)	117 kg
SQ0648	Panel SAFETY® IV	6/4.88	(6 adult animals per 4.88 m)	(Pack x 6)	145 kg
SQ0756	Panel SAFETY® IV	7/5.66	(7 adult animals per 5.66 m)	(Pack x 6)	169 kg

! THE AGE IS ONLY GIVEN AS AN EXAMPLE.
Please adjust the settings to suit your stock.



THE STRENGTHS OF THE SAFETY® IV HEADLOCK

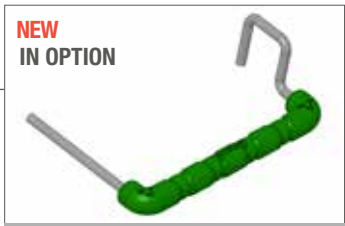
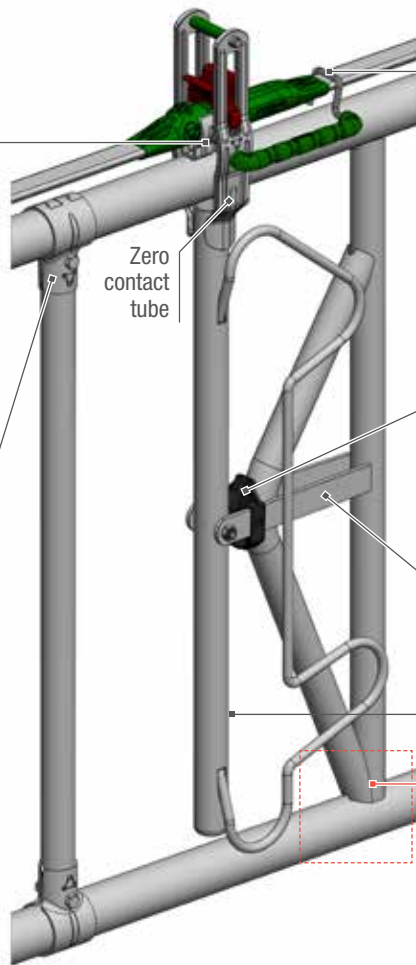




SAFETY® IV HOUSING AND LINKAGE AND LOCKING WITH BULGE REINFORCING (1 PER PLACE)



CLAWED CLAMP: ALL ANGLES ARE ROUNDED



NEW IN OPTION

INDIVIDUAL LOCKING PIN



PATENTED

RAZ SYSTEM: RETURN TO ZERO OF MOVING ARMS MAKING THEM SILENT IN THE OPEN POSITION

Support bracket for moving arm and central guard

Balanced and silent operation

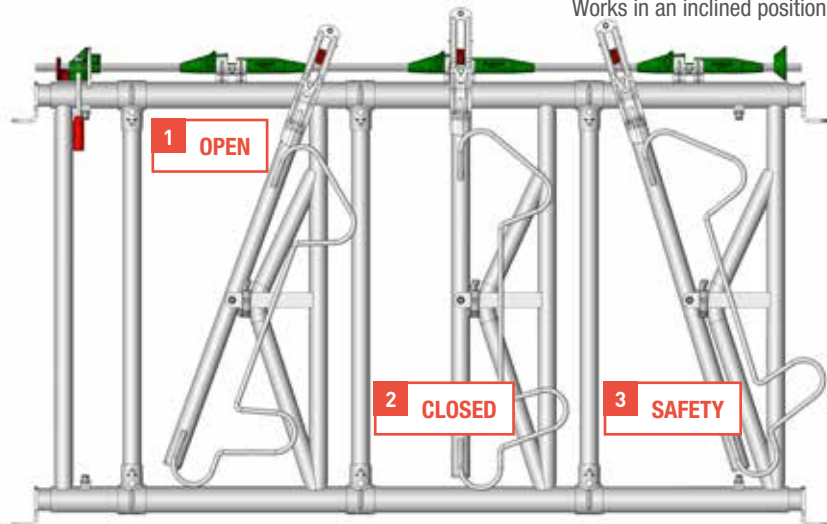
Pre-set welds

SYMMETRICAL CLEARANCE = 3 POSITIONS

Lower clearance is equal to upper clearance (symmetry = safety)
Works in an inclined position



OBLIGATORY REINFORCEMENT FOR SETTING IN FOR 4, 5 AND 6 METRE PANELS





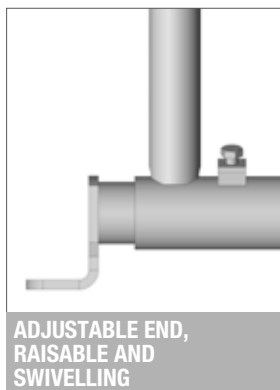
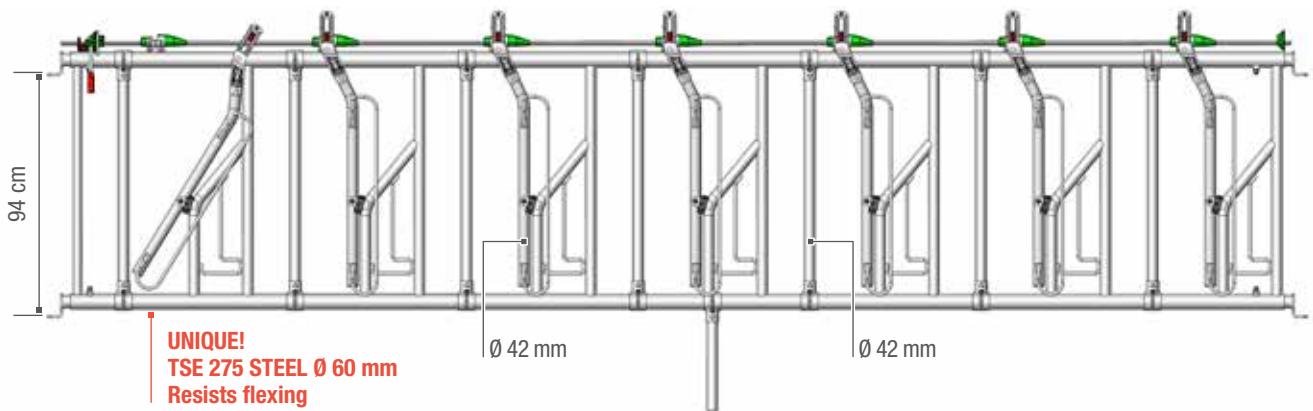
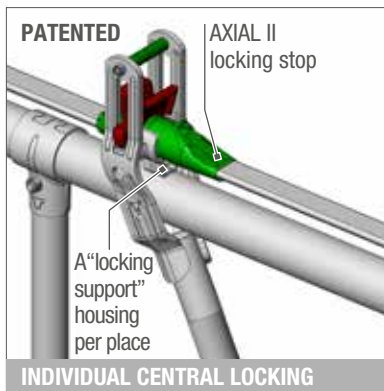
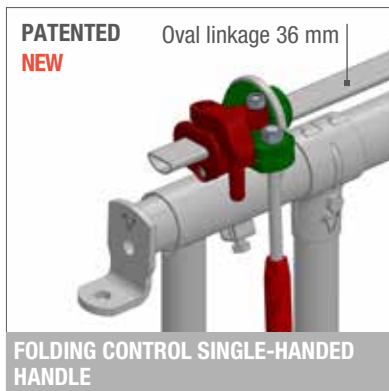
NEW



AXIAL II HEADLOCK



ADJUSTABLE YOKE WITH CLAWED CLAMPS AND REINFORCING BULGES



HEADLOCK

AXIAL II ADJUSTABLE

THE AXIAL II HEADLOCK, WITH ITS CURVED MOVING ARMS AND FORK BOTTOMS, PROVIDES A WIDE HEAD PASSAGE FOR LIGHTLY HORNED BEEF BREEDS. The AXIAL II HEADLOCK has one linkage support bracket per place, an AXIAL composite locking stop and the 36 mm half moon linkage. The nominal lengths correspond with the dimensions of the 102 mm posts from centre to centre.

OTHER					
PA0216	Panel AXIAL II	2/1.60	(2 adult animals per 1.60 m)		50 kg
PA0534	Panel AXIAL II	5/3.40	(5 adult animals per 3.40 m)	(Pack x 6)	110 kg
PA0644	Panel AXIAL II	6/4.40	(6 adult animals per 4.40 m)	(Pack x 6)	136 kg
	N.B. 5/3.40 + 2/1.60		(7 adult animals per 5 m)		
	6/4.40 + 2/1.60		(8 adult animals per 6 m)		
4 m					
PA0540	Panel AXIAL II	5/4	(5 adult animals per 4 m)	(Pack x 6)	126 kg
PA0640	Panel AXIAL II	6/4	(6 adult animals per 4 m)	(Pack x 6)	127 kg
5 m					
PA0650	Panel AXIAL II	6/5	(6 adult animals per 5 m)	(Pack x 6)	152 kg
PA0750	Panel AXIAL II	7/5	(7 adult animals per 5 m)	(Pack x 12)	157 kg
PA0850	Panel AXIAL II	8/5	(8 animals from 18 to 24 months per 5 m) !	(Pack x 6)	171 kg
6 m					
PA0860	Panel AXIAL II	8/6	(8 adult animals per 6 m)	(Pack x 12)	193 kg
PA0960	Panel AXIAL II	9/6	(9 animals from 18 to 24 months per 6 m) !	(Pack x 6)	195 kg
PA1060	Panel AXIAL II	10/6	(10 animals from 12 to 18 months per 6 m) !	(Pack x 6)	210 kg

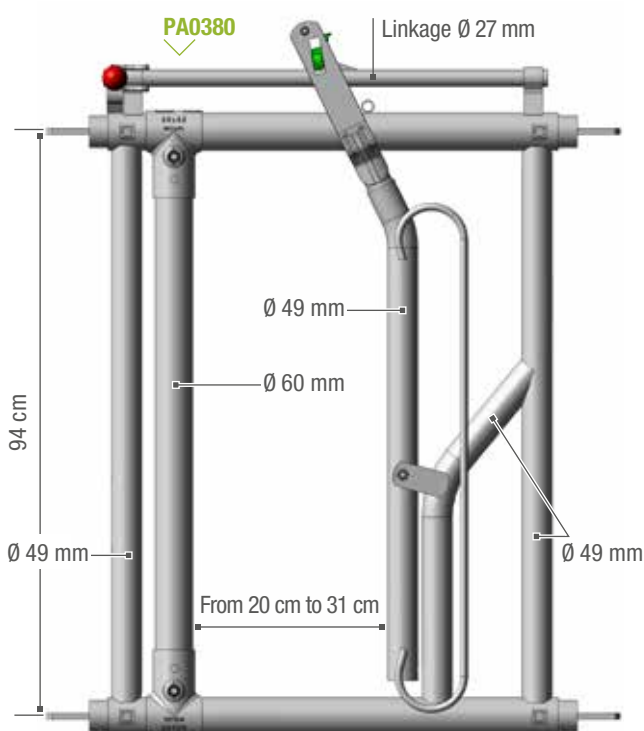
HEADLOCK

AXIAL / BULL

SPECIAL REINFORCED HEADLOCK FOR BULLS WITH ADJUSTABLE YOKE. Fitted with 4 welded straight ends. Mounted at 1 m from centre to centre of a 102 mm post.

*Model reinforced for bulls. The anti-noise stop cannot be fitted to this model.

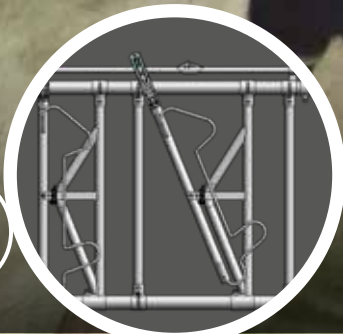
PA0380	Panel AXIAL/BULL*	1/1	(1 place per 1 m) Linkage old model		31 kg
---------------	-------------------	-----	--	--	-------



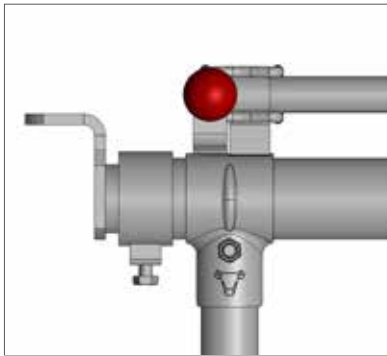
IMPERATIVE

It is essential to set in a reinforcement for 4, 5 and 6 metre panels.

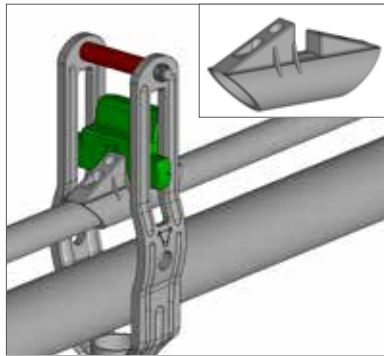
! THE AGE IS ONLY GIVEN AS AN EXAMPLE. Please adjust the settings to suit your stock.



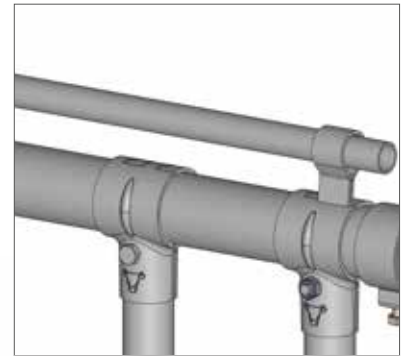
HEADLOCK SAFETY® KIT FORM (MODULAR)



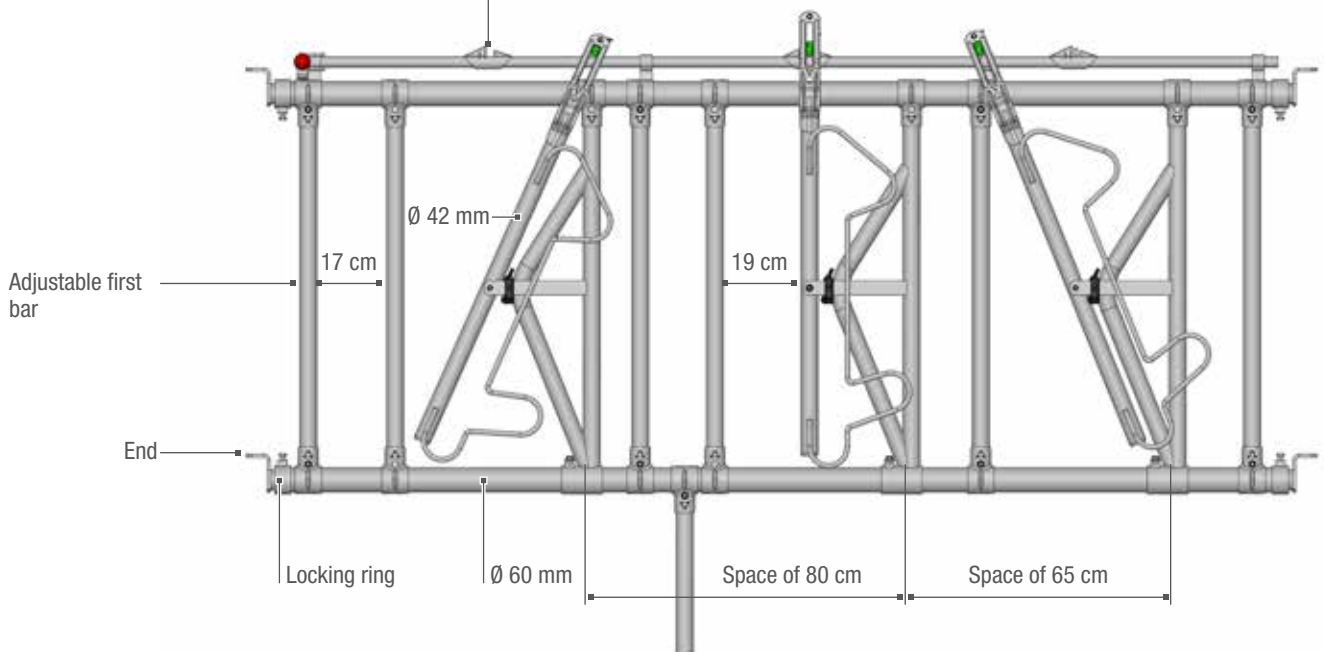
HANDLE Ø 27 MM



MOLDED STOP



CONTROL PIPE GUIDE



M00235
Adjustable bar
for module



M00250
Place module
SAFETY®



M00233
Supplementary
start bar

MODULES

SAFETY®

THE MODULES ENABLE "MADE-TO-MEASURE" PANELS TO BE CREATED IN ORDER TO EQUIP ALL NON-STANDARD AREAS AND BAYS. THEY ARE SUPPLIED IN KIT FORM, READY FOR ASSEMBLY. All dimensions over 600 mm per animal are possible with a maximum 6 m length.

M00250 Place module SAFETY® up to 750 mm/place 14 kg

SUPPLEMENTARY START BAR

ALLOW ONE BAR WITH CONTROL PIPE GUIDE PER SAFETY® PANEL

M00233 Supplementary start bar 3,5 kg

SUPPLEMENTARY BAR

SAFETY®

ALLOW ONE ADJUSTABLE SUPPLEMENTARY BAR PER 200 MM OVER 750 MM PER PLACE.

M00235 Adjustable bar for module 3,5 kg

MODULE SUPPORT FRAME

SAFETY®

M00236 Frame module 2 m 26 kg

M00237 Frame module 3 m 34 kg

M00238 Frame module 4 m 42 kg

M00239 Frame module 5 m (with reinforcement) 52 kg

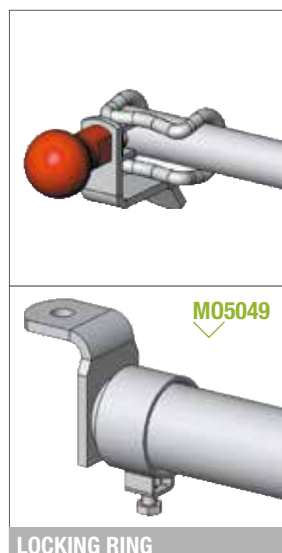
M00240 Frame module 6 m (with reinforcement) 60 kg

RING FOR

LOCKING

FOR LOCKING THE MODULE AND ADAPTING THE END ON A 3 OR 4 PLACE HAY RACK SECTION.

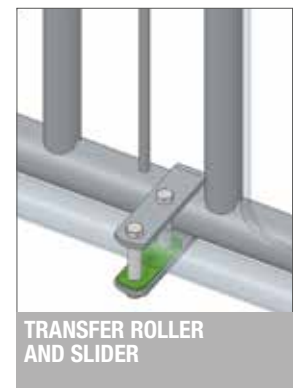
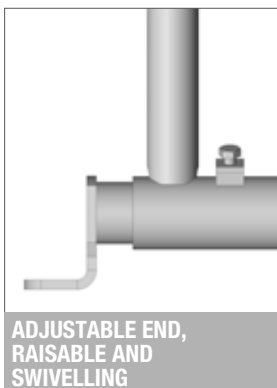
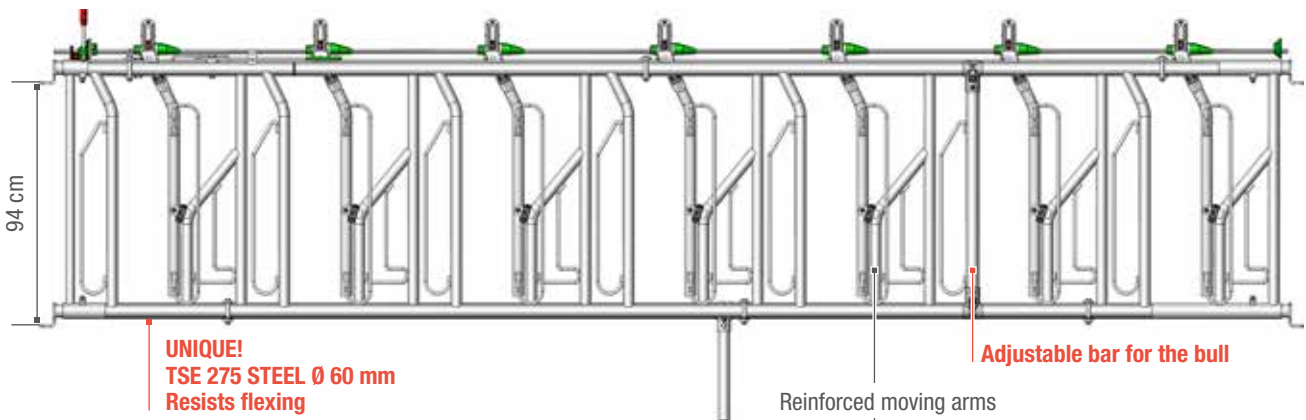
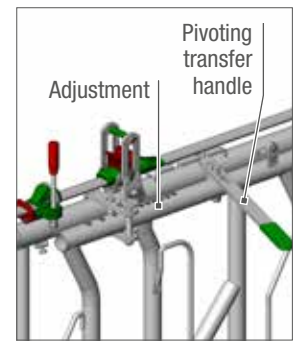
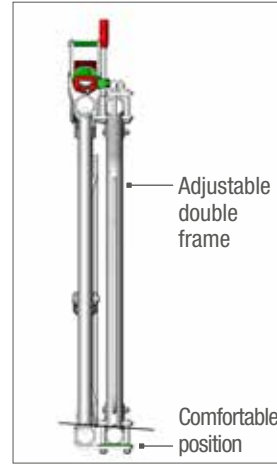
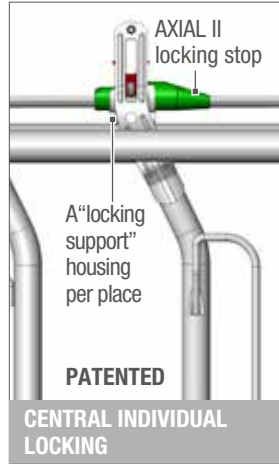
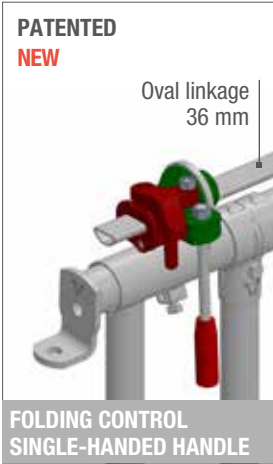
M05049 Module locking ring 0,27 kg



SUPPORT FRAME FOR SAFETY MODULE



RC II (GROUP ADJUSTMENT)



RC II HEADLOCKS:

COLLECTIVE ADJUSTMENT

THE RC II HEADLOCK IS DERIVED FROM THE AXIAL II HEADLOCK, WITH ITS CURVED MOVING ARMS AND FORK BOTTOMS, IT PROVIDES A WIDE HEAD PASSAGE FOR LIGHTLY HORNED BEEF CATTLE. The RC II HEADLOCK has a linkage support housing per place, an AXIAL II composite locking stop and a half moon linkage. It is fitted with a double frame and a pivoting handle that provides precise collective yoke adjustment.

RC0216	RC II HEADLOCKS	2/1,60 m	(2 adult animals per 1.60 m)	55 kg
RC0534	RC II HEADLOCKS	5/3,40 m	(5 adult animals per 3.40 m)	128 kg
RC0644	RC II HEADLOCKS	6/4,40 m	(6 adult animals per 4.40 m)	149 kg
4 m				
RC0640	RC II HEADLOCKS	6/4 m	(6 adult animals per 4 m)	146 kg
5 m				
RC0750	RC II HEADLOCKS	7/5 m	(7 adult animals per 5 m)	184 kg
RC0850	RC II HEADLOCKS	8/5 m	(8 animals from 18 to 24 months per 5 m) !	197 kg
6 m				
RC0860	RC II HEADLOCKS	8/6 m	(8 adult animals per 6 m)	217 kg
RC0960	RC II HEADLOCKS	9/6 m	(9 animals from 18 to 24 months per 6 m) !	221 kg
RC1060	RC II HEADLOCKS	10/6 m	(10 animals from 12 to 18 months per 6 m) !	240 kg

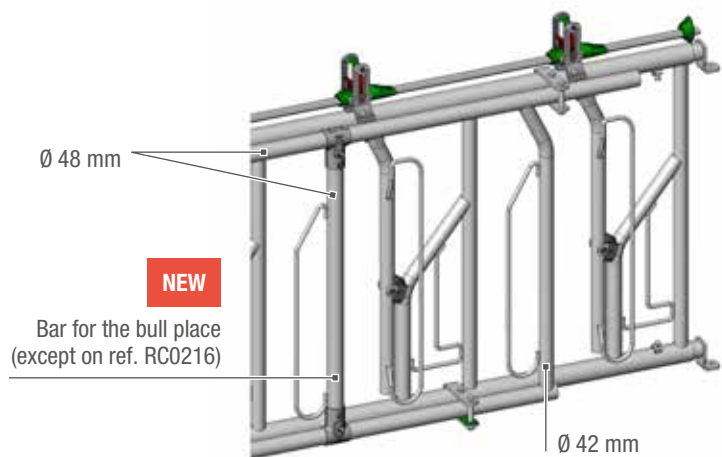


WARNING!

This headlock has been designed to obtain rapid yoke adjustment. The herdsman must adapt it to suit the breed and the age of the animals. Jourdain cannot be held liable in the event of an accident due to poor adjustment.

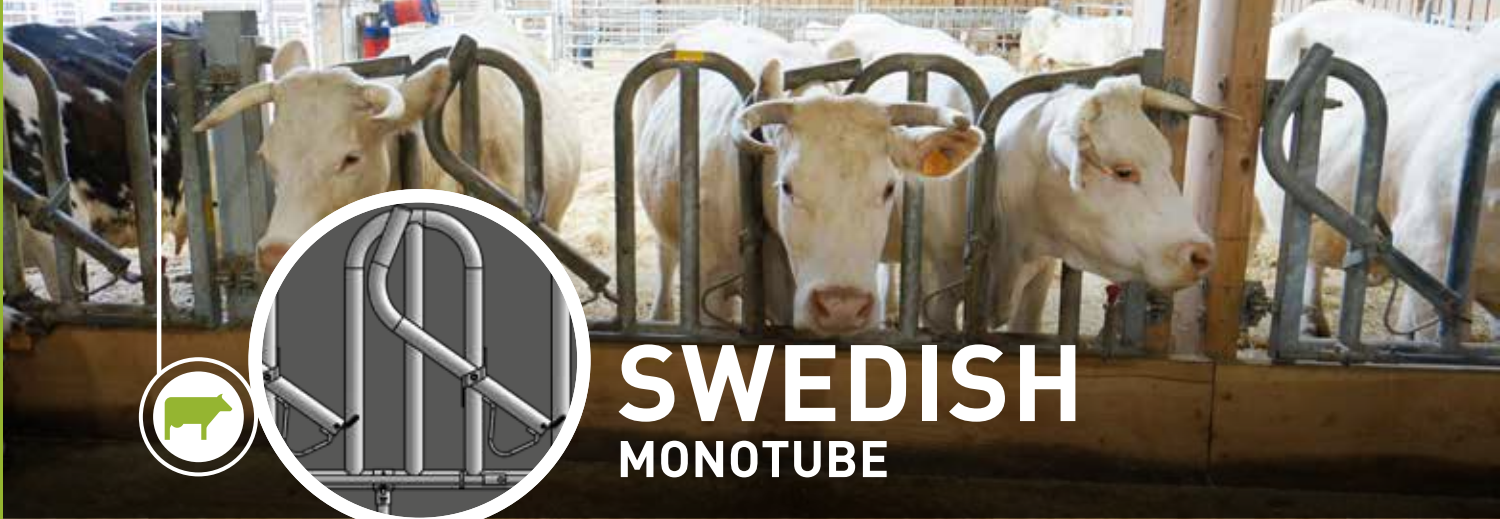
IMPERATIVE

It is essential to set in a reinforcement for 4, 5 and 6 metre panels.

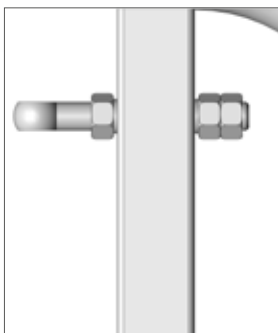
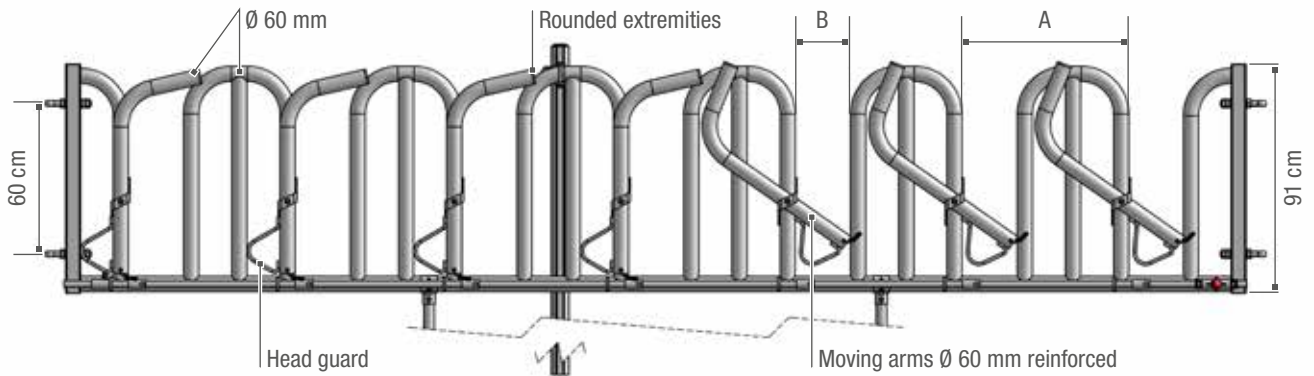


PRECISE ADJUSTMENT

for yokes to suit the size of the animals.



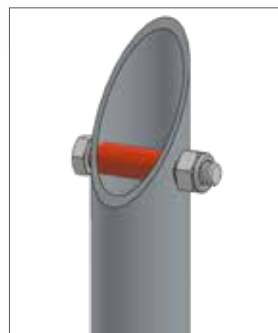
SWEDISH MONOTUBE



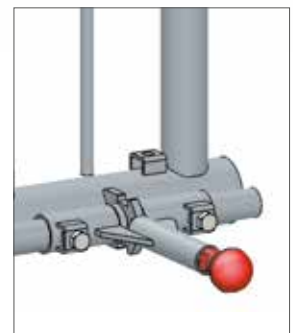
MOUNTED WITH AN EYE BOLT



REINFORCED RATCHET NOISE LIMITER



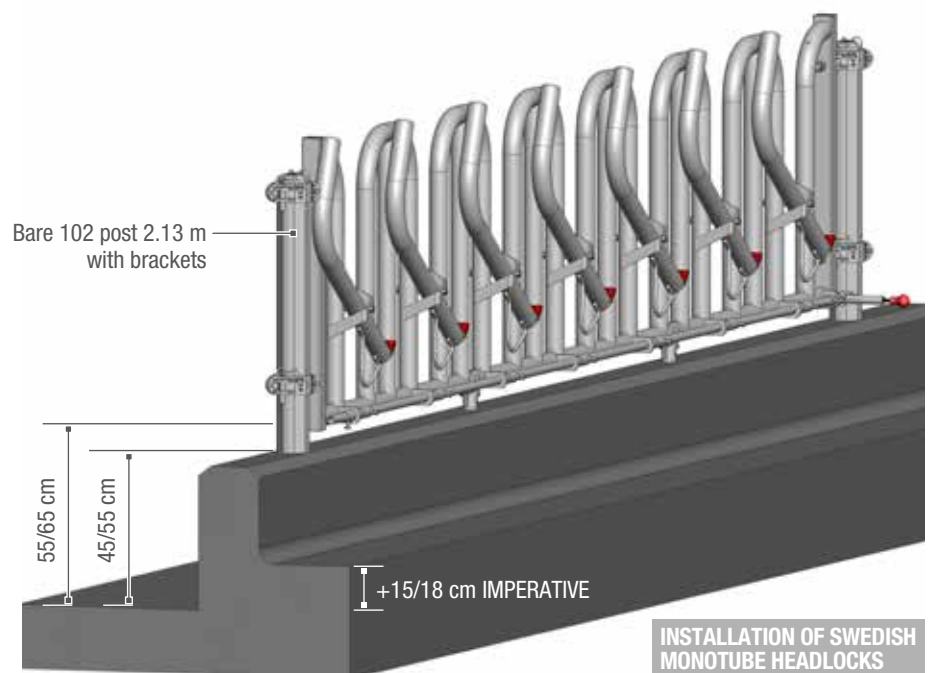
WEAR RESISTANT BUSH ON HINGE



QUARTER TURN LOCKING HANDLE

	A	B
4 places per 3 m	67 cm	22 cm
5 places per 4 m	75 cm	22 cm
6 places per 5 m	80 cm	22 cm
7 places per 5 m	67 cm	22 cm

! WARNING!
Use bar post 2.13 m with brackets.



SWEDISH MONOTUBE HEADLOCK

FIXED YOKE

AUTOMATIC SWEDISH TYPE MONOTUBE HEADLOCK WITH LOWER LOCKING.

Made of 60 mm tube only. Intended for heavily horned animals only.

PREFERABLY ALLOW ONE POST Ø 76 MM AND ONE BRACKET Ø 76 MM, OTHERWISE USE 1 REINFORCEMENT FOR SETTING IN FOR A 4 M PANEL AND 2 REINFORCEMENTS FOR SETTING IN FOR 5 M PANEL. The nominal lengths correspond with the dimensions of the 102 mm posts from centre to centre. For a 6 m bay, there is the option of a 2 Panel Swedish MONOTUBE 4 places/3 m (PS0343) .

PS0311	Panel Swedish MONOTUBE Yoke size adjustable from 22 to 28 cm only for this model. With two eyebolts on one end.	1/1	(1 place/1 m)		32 kg
---------------	---	-----	---------------	--	-------

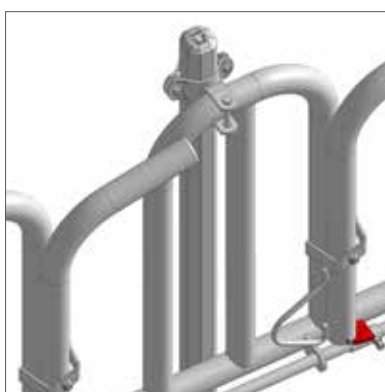
3 m					
PS0343	Panel Swedish MONOTUBE With 4 eyebolts at 1 end	4/3	(4 places/3 m)	(Pack x 6)	94 kg

4 m					
PS0354	Panel Swedish MONOTUBE With 1 reinforcement and 4 eyebolts	5/4	(5 places/4 m)	(Pack x 6)	127 kg

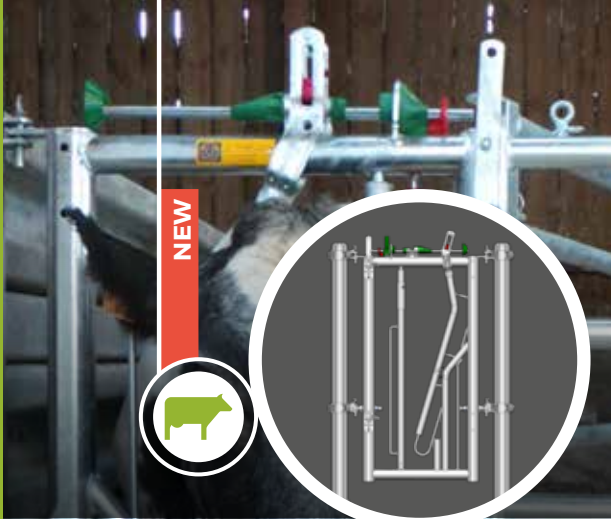
5 m					
PS0365	Panel Swedish MONOTUBE With 2 reinforcements and 4 eyebolts	6/5	(6 places/5 m)	(Pack x 6)	154 kg
PS0375	Panel Swedish MONOTUBE With 2 reinforcements and 4 eyebolts	7/5	(7 places/5 m)	(Pack x 6)	159 kg



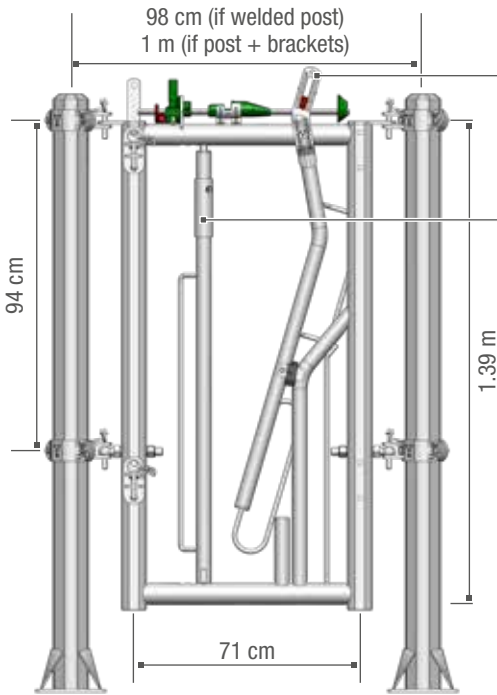
HEADLOCK REINFORCING BRACKET Ø 76 MM

**IMPERATIVE**

A post Ø 76 mm or 1 reinforcement for setting in for a 4 m panel and 2 reinforcements for setting in for a 5 m panel.



AUTOMATIC INSEMINATION HEADLOCK



BA5041
Automatic insemination
HEADLOCK

Adjustable yoke,
demountable by a tall handle

HEADLOCK INSEMINATION

REINFORCED AUTOMATIC INSEMINATION HEADLOCK, FITTED WITH A HALF MOON LINKAGE, LOCKING HOUSING AND COMPOSITE STOP.

It consists of an adjustable yoke, that is easily demountable using a tall handle to release fallen animals. It consists of two uprights made from \varnothing 76 mm tube. A pair of single brackets are attached to the upright for mounting a Caesarean gate. The headlock does not have an adjustable end, and is supported by two octagonal posts \varnothing 102 mm with 1 m centres post to post. It is delivered with a flat rope holder and a rope (length: 4 m).

BA5041 Automatic insemination
HEADLOCK L.1 m

41 kg

NEW



MODULAR TROUGH



MODULAR TROUGH GALVANISED

GALVANISED STEEL SHEET THICKNESS 20/10 THS HALF ROUND SHAPE. Adjustable height and slope.

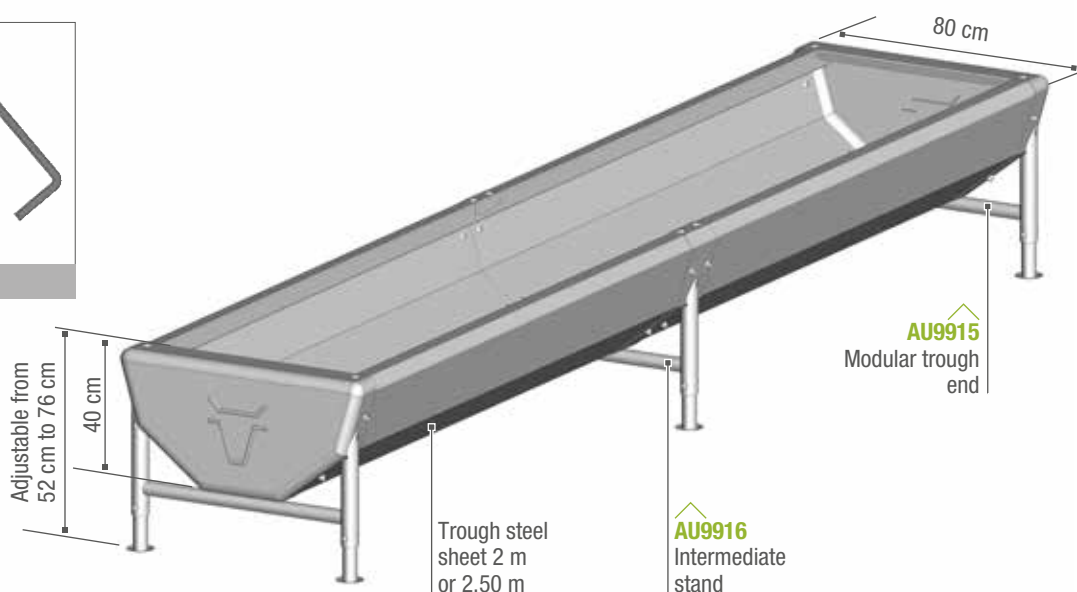
AU2211	Modular trough L. 2 m	73 kg
AU2212	Modular trough L. 2.50 m	84 kg
AU2213	Modular trough L. 4 m	130 kg
AU2214	Modular trough L. 4.50 m	141 kg
AU2215	Modular trough L. 5 m	152 kg
AU2216	Modular trough L. 6 m	187 kg

RETAIL

AU9915	End piece	13 kg
AU9916	Intermediate stand	10 kg
AU9917	Steel sheet L. 2.50 m for modular trough	58 kg
AU9918	Steel sheet L. 2 m for modular trough	47 kg

OLD MODEL RETAIL

AU9927	Steel sheet L. 2.50 m for modular trough old model	58 kg
AU9928	Steel sheet L. 2 m for modular trough old model	47 kg



WARNING! Because of the corrosion risk with silage, it is essential to apply a coat of food resin to the inside of the troughs before use, and then periodically afterwards. It is absolutely **FORBIDDEN** to use the bituminous paint TR0005 in troughs.

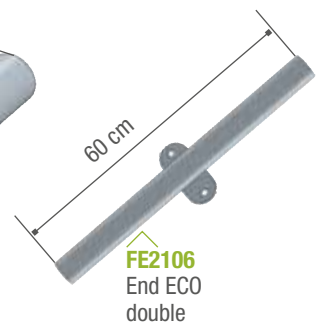
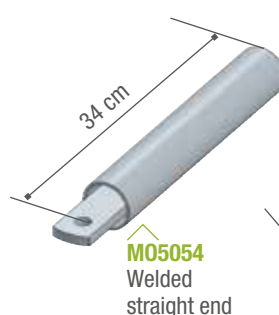
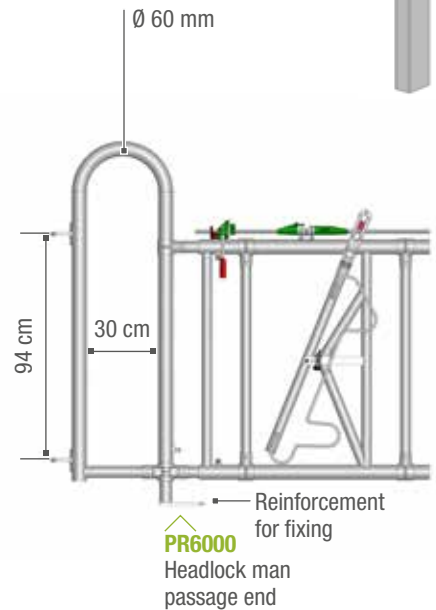
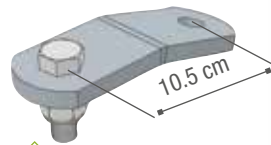
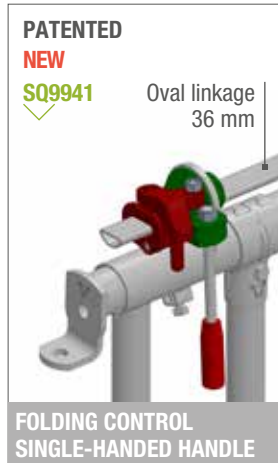
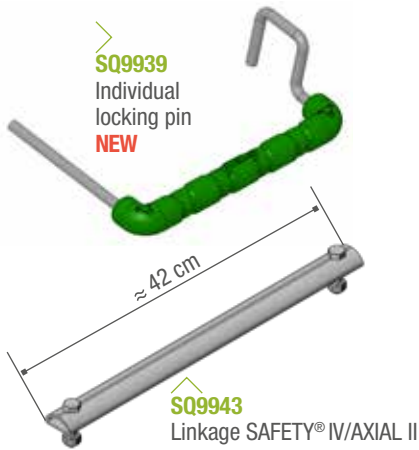






ACCESSORIES

HEADLOCK





>
SQ9940
SAFETY® IV
bare swing
arm

ACCESSORIES

SAFETY® HEADLOCK

SQ9940	SAFETY® IV bare swing arm	5 kg
SQ9902	RAZ SAFETY® IV cow	0.05 kg

ACCESSORIES

AXIAL II / RC II HEADLOCK

PA9917	Anti-noise buffer AXIAL II/RC grey	0.1 kg
---------------	------------------------------------	--------

ACCESSORIES

SAFETY® IV / AXIAL II / RC II HEADLOCK

SQ9901	Axis SAFETY® IV red	0,25 kg	
SQ9939	Individual locking pin	0.2 kg	NEW
SQ9941	Control Handle SAFETY® IV & AXIAL II	0.5 kg	
SQ9943	Linkage SAFETY® IV / AXIAL II	0.8 kg	
SQ9950	Post SAFETY® IV for setting into the ground 10 x 6 cm L. 2 m. Only for slope mounting (SAFETY® / AXIAL)	18 kg	
PA9904	Spacer + bolt 8 x 92	0.03 kg	
PR5052	Headlock extended end (+ 50 cm)	10 kg	
PR5053	Supplementary bar for HEADLOCK extended end up to 25 cm	3 kg	
PR6000	HEADLOCK man passage end (+ 50 cm). Do not use this end with a post SAFETY® IV	20 kg	
PR0298	Strut (2 per panel) unit	0.63 kg	
M00234	Reinforcement for setting in	1.5 kg	
M00260	Reinforcement for prefabricated wall (15 to 20 cm) (Pack x 6)	4.5 kg	
M05049	Module locking ring	0.27 kg	
M05050	Standard adjustable end	1.3 kg	
M05052	L form flat end	1.3 kg	
M05054	Straight end welded	1.3 kg	
FE2106	End ECO double	2.3 kg	
VE2570	HEADLOCK reinforcing bracket Ø 76 mm	1.5 kg	

>
SQ9902



RAZ SAFETY® IV COW

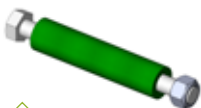
>
PA9917



ANTI-NOISE BUFFER



>
SQ9901
Axis SAFETY® IV
red



>
PA9904
Spacer
+ bolt 8 x 92

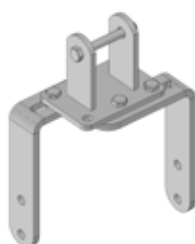
ACCESSORIES

SWEDISH MONOTUBE

M00234	Reinforcement for setting in	1,5 kg
M00260	Reinforcement for prefabricated wall (15 to 20 cm) (Pack x 6)	4,5 kg
VE2570	HEADLOCK reinforcing bracket Ø 76 mm	1,5 kg

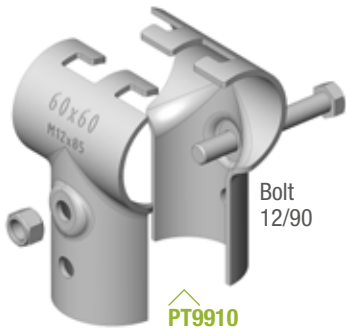
>
M00260

Reinforcement
for prefabricated
wall (15 to
20 cm)





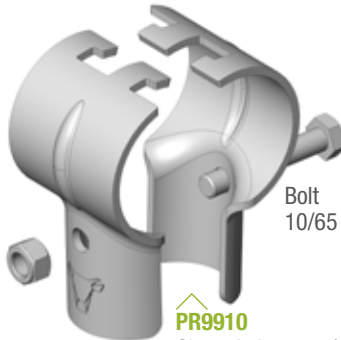
CLAWED CLAMP HEADLOCK



Bolt
12/90

PT9910

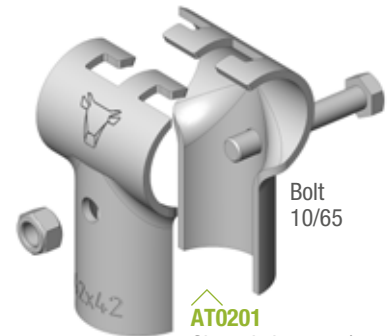
Clawed clamp 60/60



Bolt
10/65

PR9910

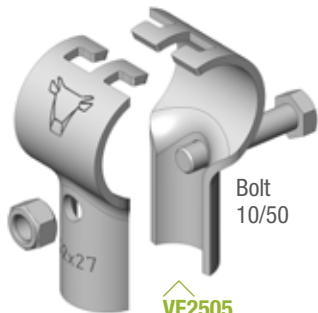
Clawed clamp 60/42 mm



Bolt
10/65

AT0201

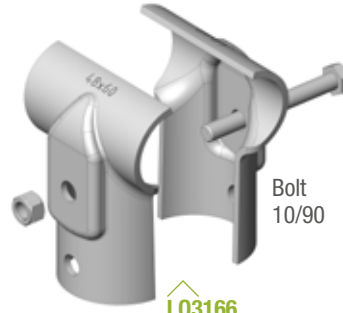
Clawed clamp 42/42 mm



Bolt
10/50

VE2505

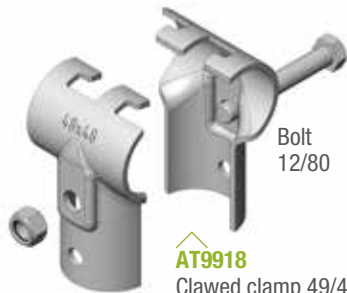
Clawed clamp 42/27 mm



Bolt
10/90

L03166

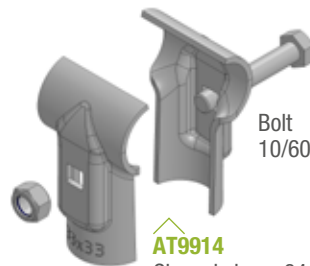
Clawed clamp 49/60 mm



Bolt
12/80

AT9918

Clawed clamp 49/49 mm



Bolt
10/60

AT9914

Clawed clamp 34/34 mm

CLAWED CLAMP

PT9910	Clawed clamp 60/60 (AXIAL bull 1P / 1M)	0.9 kg
PR9910	Clawed clamp 60/42 (SAFETY® or AXIAL)	0.6 kg
AT0201	Clawed clamp 42/42 (Creep feeder)	0.5 kg
VE2505	Clawed clamp 42/27 (Calf headlock)	0.3 kg
L03166	Clawed clamp 49/60 (RELAX)	0.9 kg
AT9918	Clawed Clamp 49/49 (Group adjustment RC)	0,6 kg
AT9914	Clawed Clamp 34/34 (Drinker recess)	0.32 kg





PANEL FATTENING 2 TUBES

FATTENING

2 TUBES OCTAGONAL PROFILE

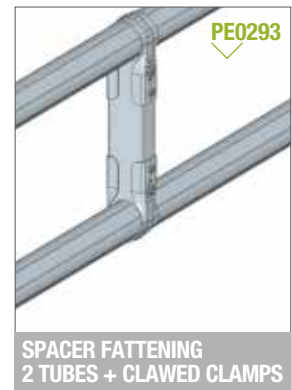
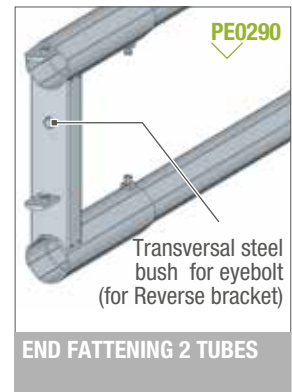
PANEL FOR FATTENING WITH A WELD FREE FRAME 2 OCTAGONAL TUBES Ø 102 MM WITH A SPACER
 10 X 6 CM MOUNTED WITH CLAMPS. Adjusted using the 2 ends, and that can be raised by 188 mm easily when turned over. This product mounted on a reverse hinge is not suitable for an opening like a barrier.



PE0203	Panel fattening 2 tubes L. 3 m (no spacer)	(Pack x 6)	65 kg
PE0204	Panel fattening 2 tubes L. 4 m (no spacer)	(Pack x 6)	78 kg
PE0205	Panel fattening 2 tubes L. 5 m (1 spacer Ø 10 x 6 cm)	(Pack x 6)	100 kg
PE0206	Panel fattening 2 tubes L. 6 m (1 spacer Ø 10 x 6 cm)	(Pack x 6)	116 kg
PE0291	Reverse hinge for mounting on a post Ø 102 mm		23 kg
PE0292	Reverse hinge for H post		19 kg
PE0298	Half Reverse hinge for H post		9 kg
PR0298	Strut (2 per panel) unit		0.63 kg

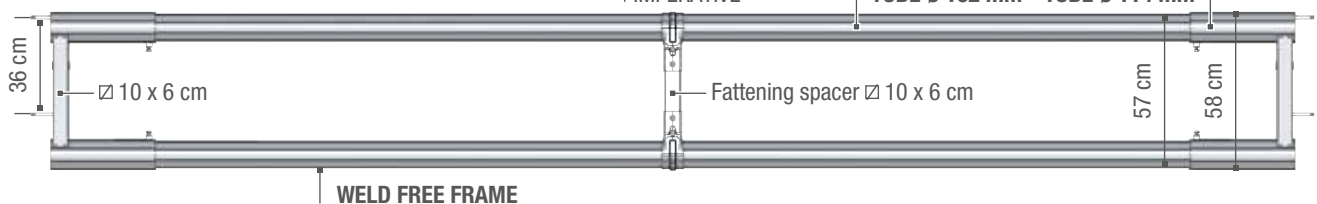
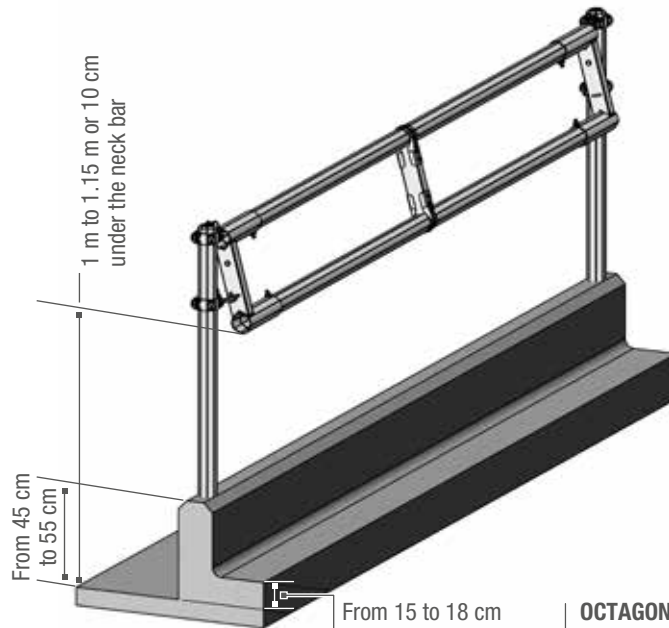
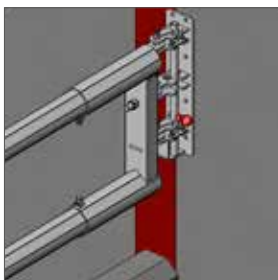
PIECES SUPPLIED INDIVIDUALLY

PE0290	End fattening 2 tubes	13 kg
TR9104	Tube Octagonal Ø 102 mm L. 3.46 m T. 3 mm (panel of 4 m)	26 kg
TR9105	Tube Octagonal Ø 102 mm L. 4.46 m T. 3 mm (panel of 5 m)	34 kg
TR9106	Tube Octagonal Ø 102 mm L. 5.46 m T. 3 mm (panel of 6 m)	42 kg
PE0293	Spacer fattening 2 tubes + clawed clamps	6 kg



! THE MEASUREMENTS ARE GIVEN AS AN INDICATION. Please adapt them to suit your stock.

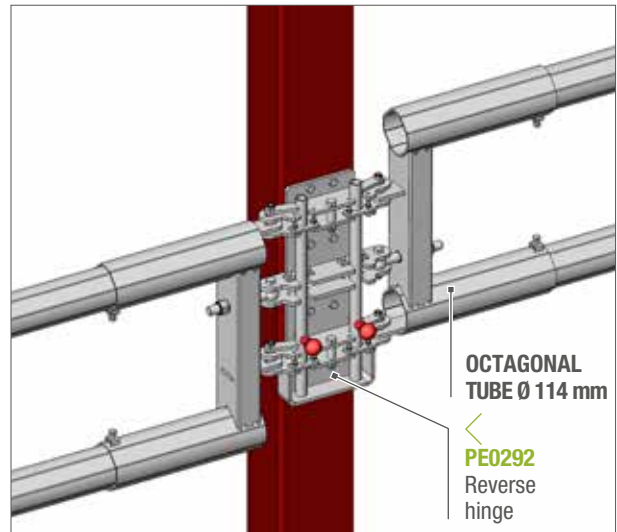
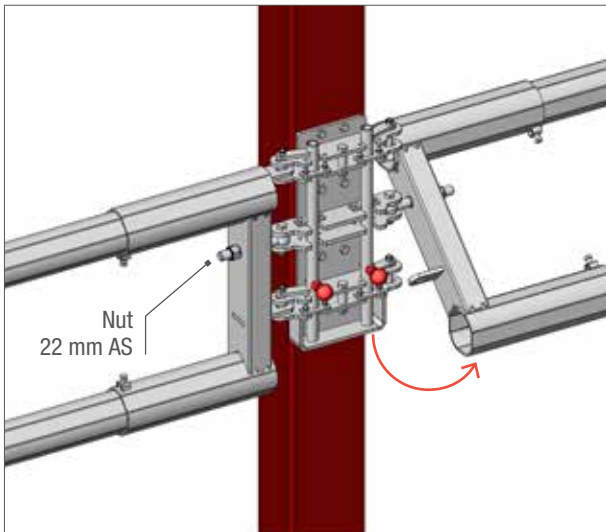
PE0298



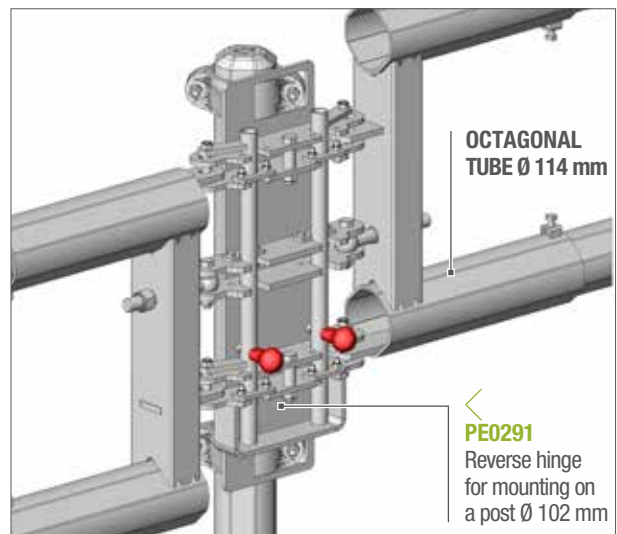
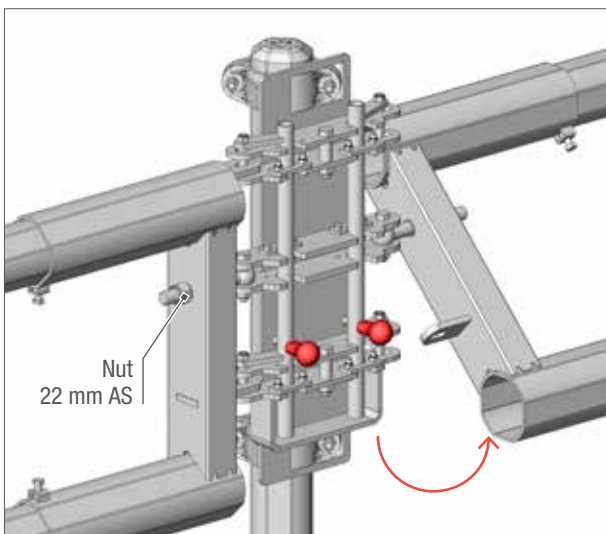
FITTING AN

H PROFILE STAUNCHON WITH REVERSE BRACKET

The Reverse hinge can be fitted to an H staunchon from 10 to 22 cm, it can be locked and unlocked quickly and easily so that the fattening panel to be raised in order for it to be adapted to suit the growth of the livestock.



HINGE FOR MOUNTING ON BRACKET Ø 102 MM



! WARNING!
For your safety, ensure that the 2 tube fattening panel is well supported when it is turned, in order to prevent it from dropping suddenly.



PANEL FATTENING 3 TUBES

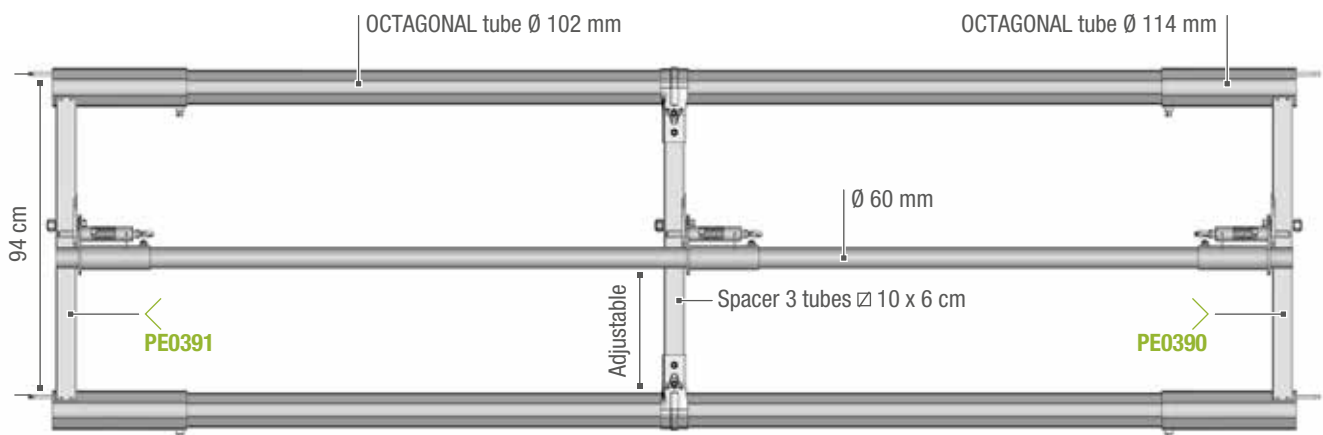
FATTENING 3 TUBES

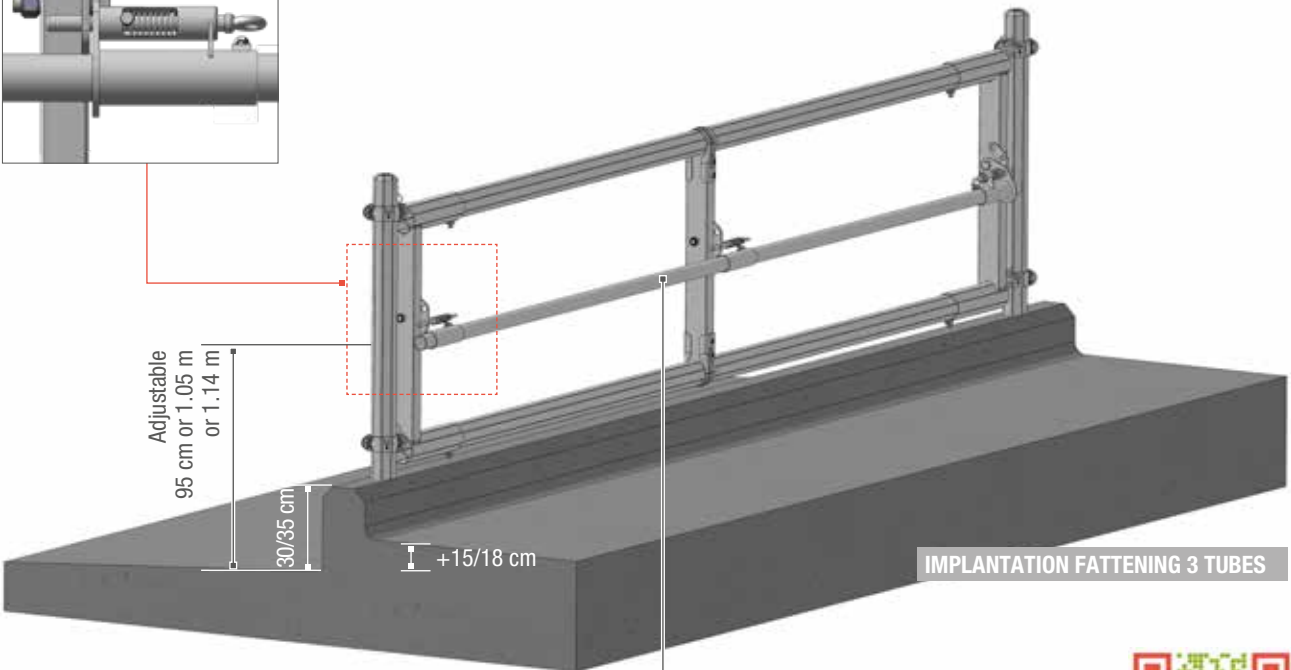
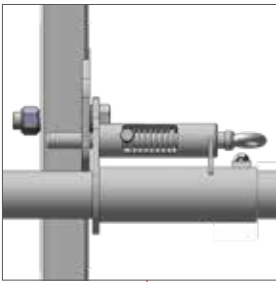
PANEL FOR FATTENING WITH A WELD FREE FRAME 2 OCTAGONAL TUBES Ø 102 MM WITH A SPACER 10 X 6 CM FITTED WITH CLAMPS AND 2 OCTAGONAL ENDS. Central 3rd raised simply using pins without requiring a spanner.

PE0303	Panel fattening 3 tubes L 3 m (no spacer)	(Pack x 6)	92 kg
PE0304	Panel fattening 3 tubes L 4 m	(Pack x 6)	116 kg
PE0305	Panel fattening 3 tubes L 5 m	(Pack x 6)	136 kg
PE0306	Panel fattening 3 tubes L 6 m	(Pack x 6)	156 kg

RETAIL

PE0390	End right fattening 3 tubes	18 kg
PE0391	End left fattening 3 tubes	18 kg
PE0393	Spacer fattening 3 tubes + clawed clamps	11 kg
TR9104	Tube OCTAGONAL Ø 102 L 3.46 m T.3 mm (panel of 4 m)	26 kg
TR9105	Tube OCTAGONAL Ø 102 L 4.46 m T.3 mm (panel of 5 m)	34 kg
TR9106	Tube OCTAGONAL Ø 102 L 5.46 m T.3 mm (panel of 6 m)	42 kg
TU9764	Tube Ø 60 mm GALVA L 4 m	16 kg
TU9765	Tube Ø 60 mm GALVA L 5 m	20 kg
TU9766	Tube Ø 60 mm GALVA L 6 m	24 kg





3RD CENTRAL BAR CAN BE
RAISED WITHOUT SPANNERS

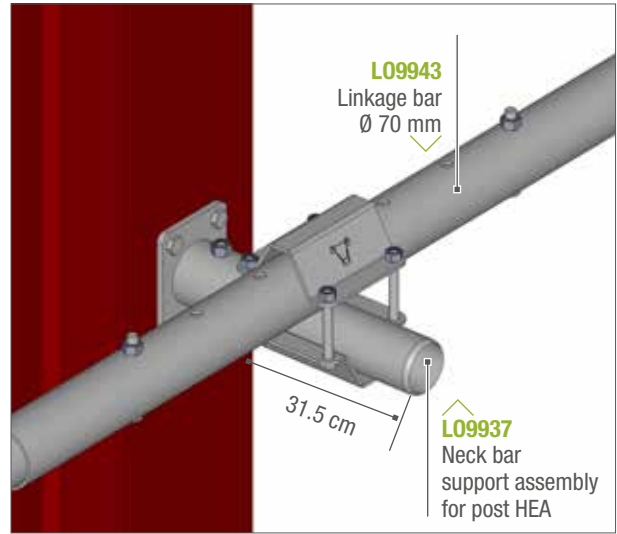
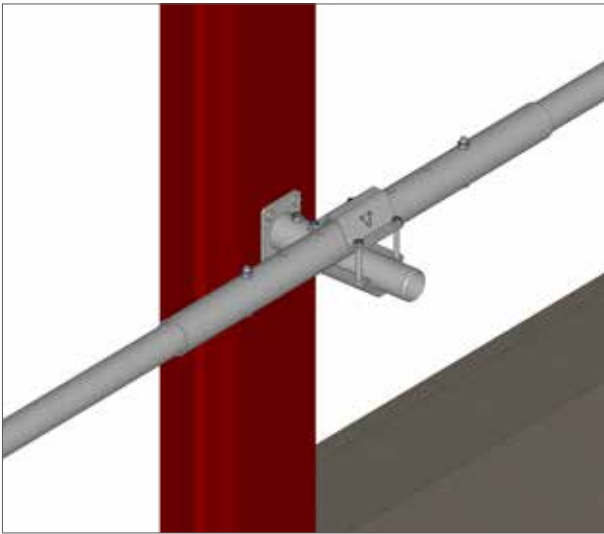




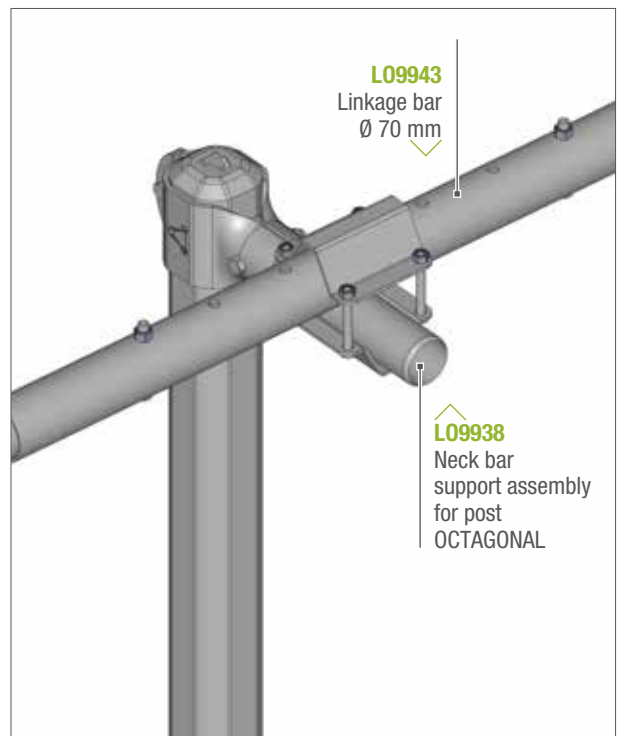
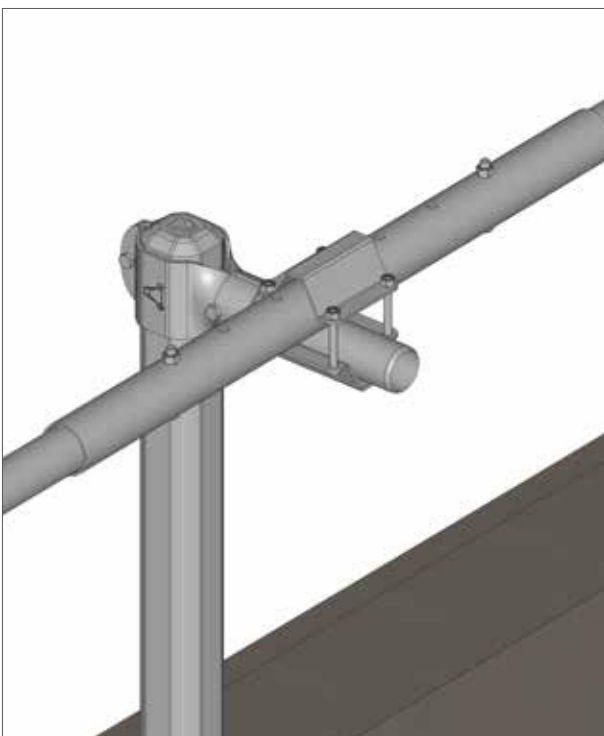
NECK BAR

DAIRY Ø 60 MM

FITTING A NECK BAR TO AN H PROFILE STAUNCHON



FITTING A NECK BAR TO AN OCTAGONAL POST



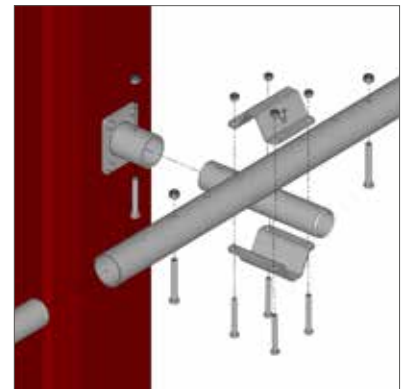
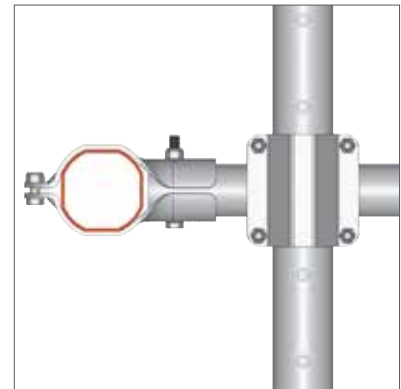
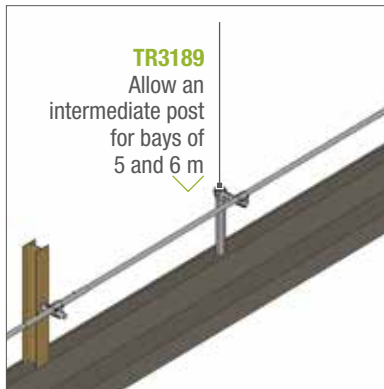
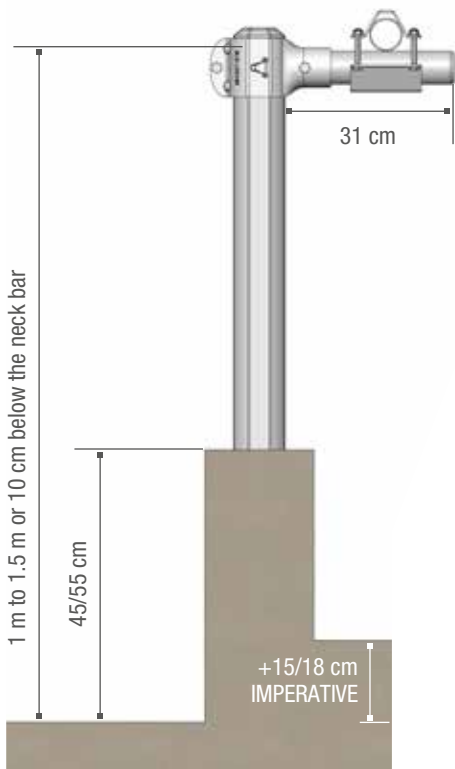
DAIRY

NECK BAR Ø 60 MM

MOUNTING OF AN OFFSET NECK BAR Ø 60 MM, EXCLUSIVELY FOR DAIRY COWS

5 and 6 m span, please use an intermediate post.

L09937	Neck bar support assembly for post HEA (composed of 1 tube + 1 BP end + 1 bracket Robust with bolt 10/80 mm)	5 kg
L09938	Neck bar support assembly for post octagonal (composed of 1 tube + 1 BP end + 1 bracket BLS with bolt 10/80 mm)	6 kg
L09943	Linkage bar Texane Ø 70 mm (to be drilled)	5 kg
TU9764	Tube Ø 60 mm GALVA L. 4 m	16 kg
TU9765	Tube Ø 60 mm GALVA L. 5 m	20 kg
TU9766	Tube Ø 60 mm GALVA L. 6 m	24 kg
TR3189	Cubicle post OCTAGONAL to be set in Ø 102 mm L. 1.66 m	14 kg





SELF-SERVICE DIAGONAL

SELF-SERVICE DIAGONAL

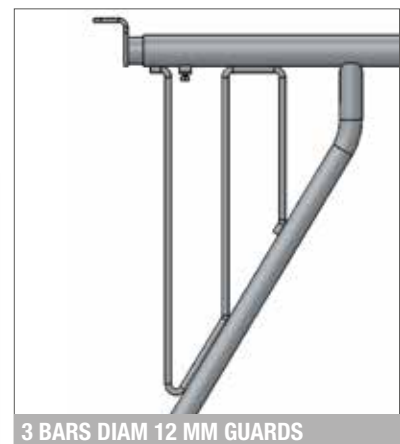
DIAGONAL SELF-SERVICE PANEL LIMITING WASTAGE AT THE TROUGH.

P00406	Panel diagonal 5P. /3 m		38 kg
P00402	Panel diagonal 8P. /4 m	(Pack x 6)	58 kg
P00403	Panel diagonal 10P. /5 m	(Pack x 6)	75 kg
P00404	Panel diagonal 12P. /6 m	(Pack x 6)	90 kg

SELF-SERVICE DIAGONAL EXPORT (WITH STANDARD ENDS NOT ASSEMBLED)

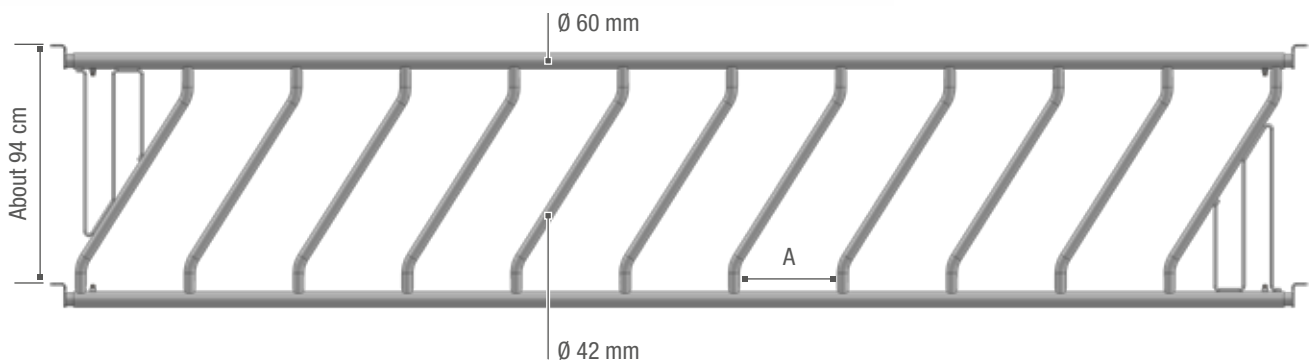
NEW

P00413	Panel diagonal 9P. /4.60 m	68 kg
P00415	Panel diagonal 10P. /4.80 m	72 kg



	A
5 places per 3 m	41 cm
8 places per 4 m	36 cm
10 places per 5 m	38 cm
12 places per 6 m	39 cm

EXPORT MODEL	A
9 places per 4.60 m	38 cm
10 places per 4.80 m	36 cm





SELF-SERVICE KIT FORM DIAGONAL



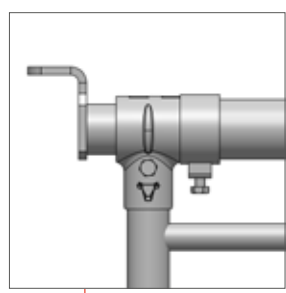
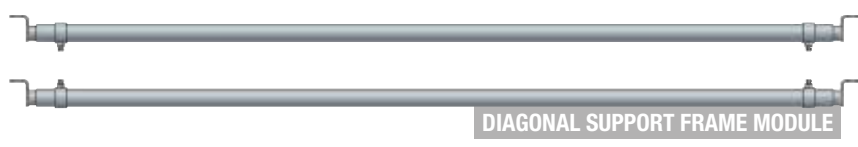
MODULE DIAGONAL

THE MODULES ENABLE TAILOR MADE PANELS TO BE MADE UP IN ORDER TO EQUIP ALL NON-STANDARD BAYS.

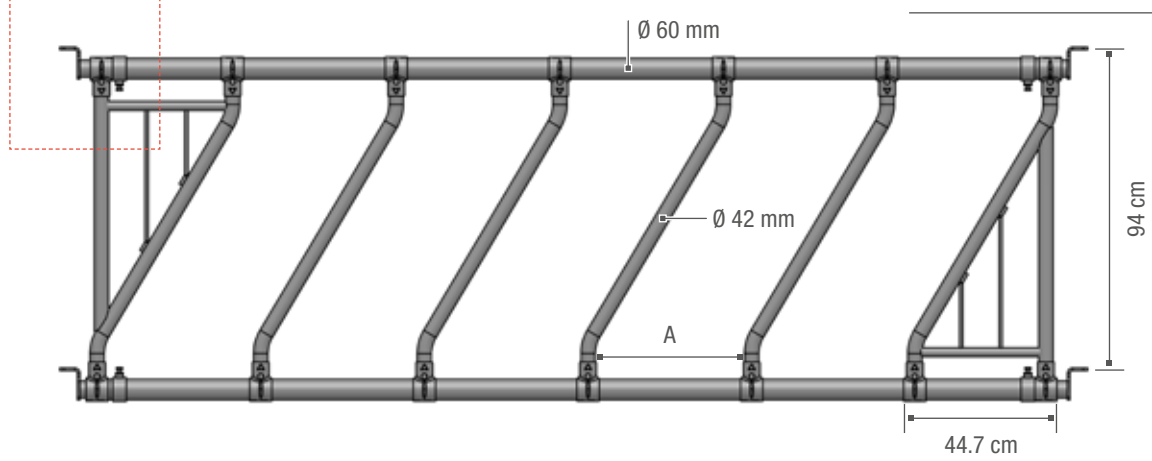
- P00418** Bar diagonal Ø 42.4 mm 2 kg
- P00419** Bar diagonal Ø 42.4 mm with head bar 3.5 kg

SUPPORT FRAME

- M00436** Frame diagonal module 2 m - Ø 60 mm 24 kg
- M00437** Frame diagonal module 3 m - Ø 60 mm 31 kg
- M00438** Frame diagonal module 4 m - Ø 60 mm 38 kg
- M00439** Frame diagonal module 5 m - Ø 60 mm 47 kg
- M00440** Frame diagonal module 6 m - Ø 60 mm 54 kg



A	
Adult	32 to 40 cm
Heifer	27 to 32 cm



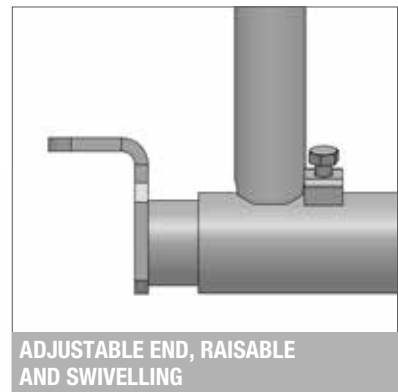


SELF-SERVICE FESTON

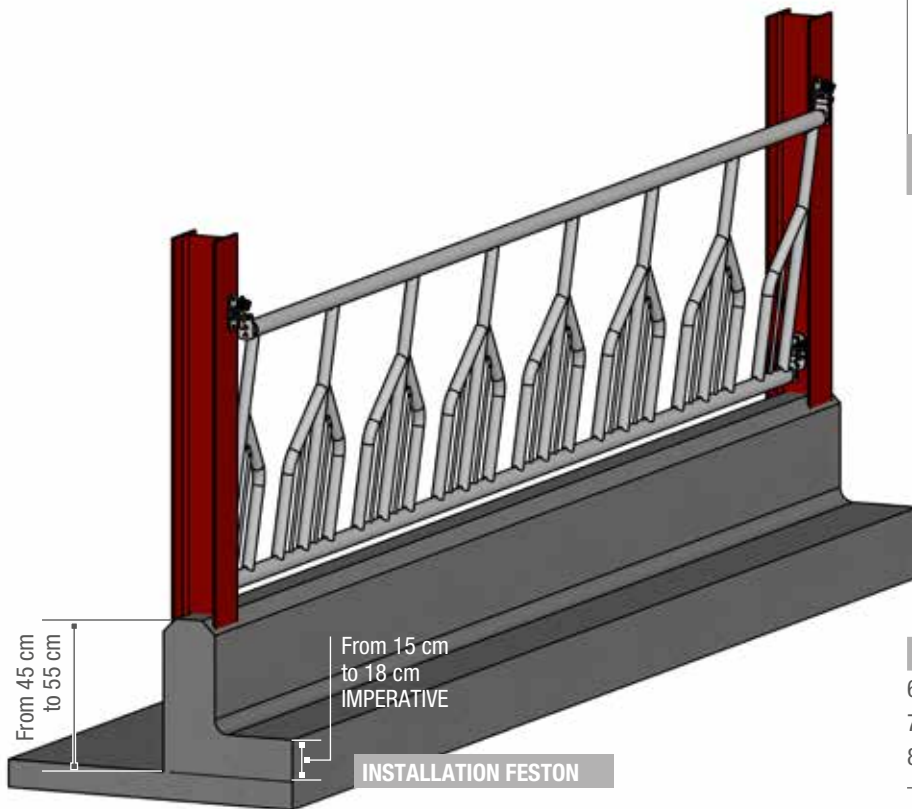
SELF-SERVICE FESTON

FESTON SELF-SERVICE PANEL LIMITING WASTAGE AT THE TROUGH.

PT0324	Panel FESTON 6 P. /4 m	(Pack x 6)	66 kg
PT0325	Panel FESTON 7 P. /5 m	(Pack x 6)	91 kg
PT0326	Panel FESTON 8 P. /6 m	(Pack x 6)	107 kg

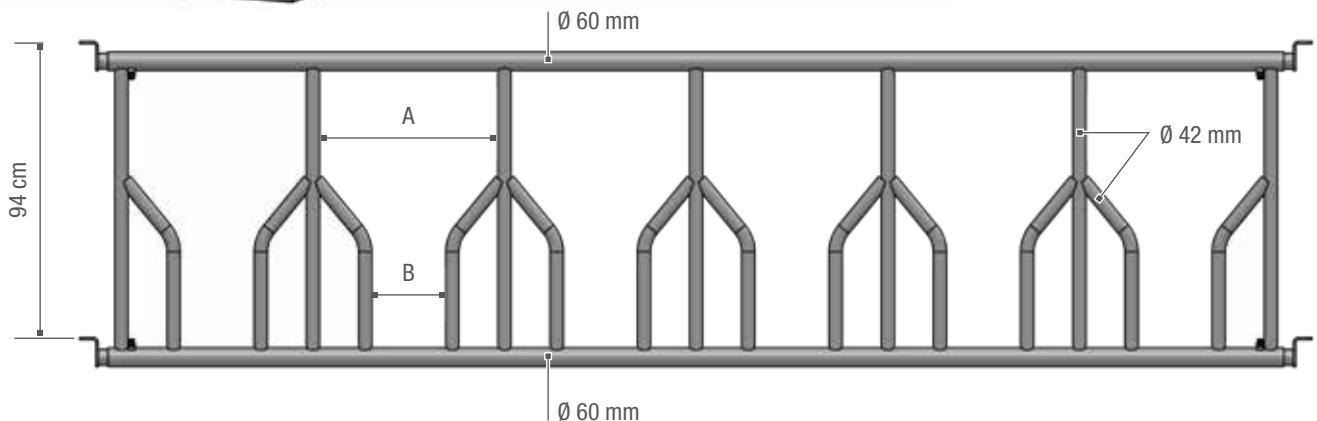


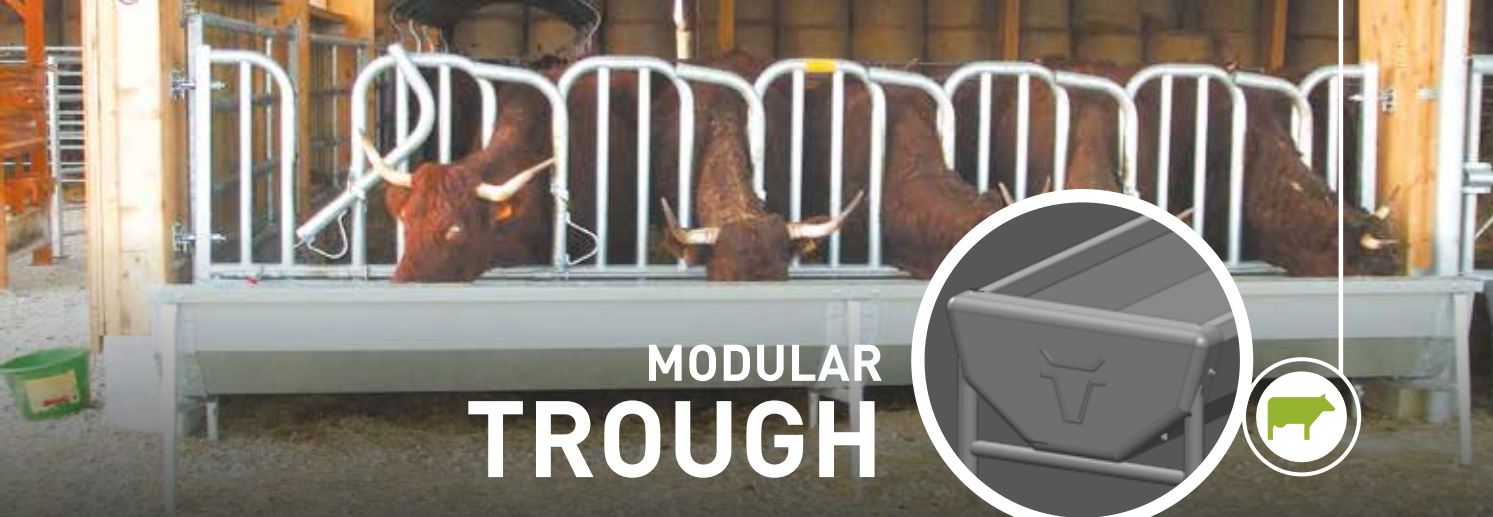
ADJUSTABLE END, RAISABLE AND SWIVELLING



INSTALLATION FESTON

	A	B
6 places per 4 m	56 cm	23.5 cm
7 places per 5 m	62 cm	21 cm
8 places per 6 m	67 cm	24.5 cm





MODULAR TROUGH

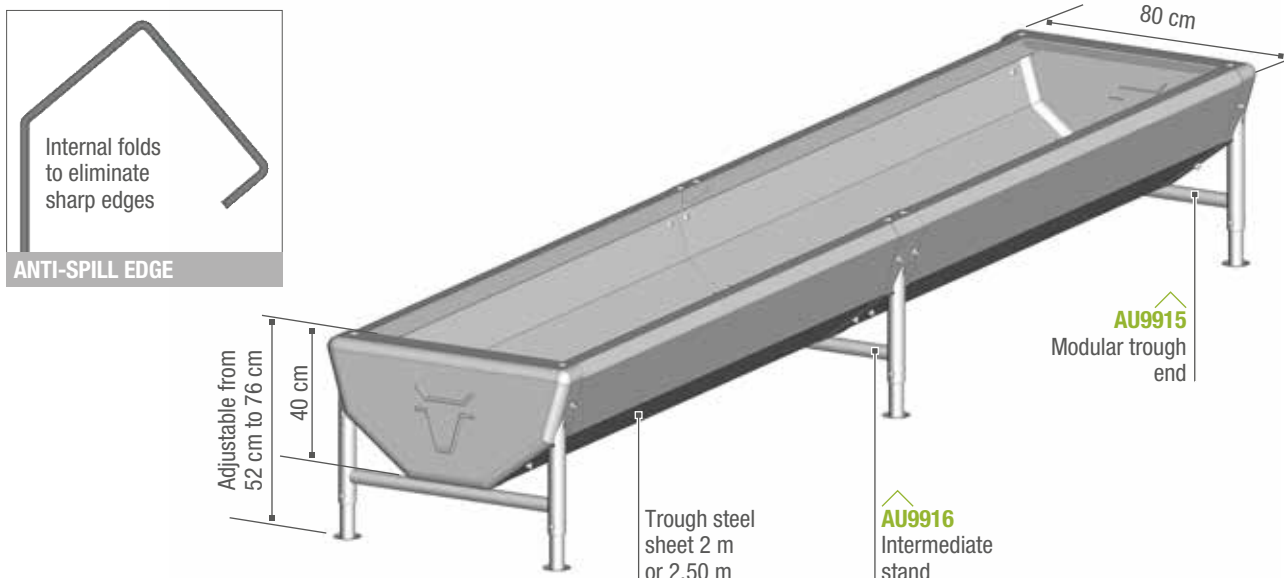
MODULAR TROUGH GALVANISED

GALVANISED STEEL SHEET THICKNESS 20/10THS HALF ROUND SHAPE. Adjustable height and slope.

AU2211	Modular trough L. 2 m	73 kg
AU2212	Modular trough L. 2.50 m	84 kg
AU2213	Modular trough L. 4 m	130 kg
AU2214	Modular trough L. 4.50 m	141 kg
AU2215	Modular trough L. 5 m	152 kg
AU2216	Modular trough L. 6 m	187 kg

RETAIL		
AU9915	End piece	13 kg
AU9916	Intermediate stand	10 kg
AU9917	Steel sheet L. 2.50 m for modular trough	58 kg
AU9918	Steel sheet L. 2 m for modular trough	47 kg

OLD MODEL RETAIL		
AU9927	Steel sheet L. 2.50 m for modular trough old model	58 kg
AU9928	Steel sheet L. 2 m for modular trough old model	47 kg



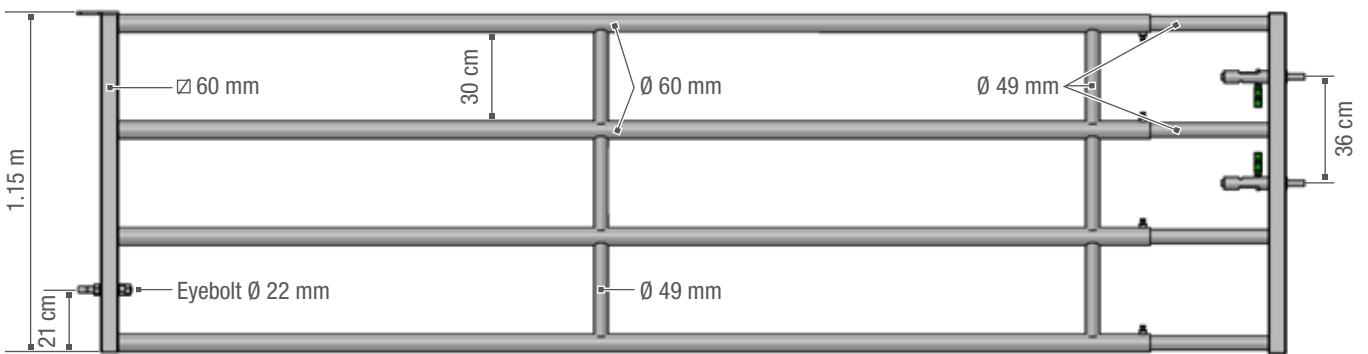
WARNING! Because of the corrosion risk with silage, it is essential to apply a coat of food resin to the inside of the troughs before use, and then periodically afterwards. It is absolutely FORBIDDEN to use the bituminous paint TR0005 in troughs.



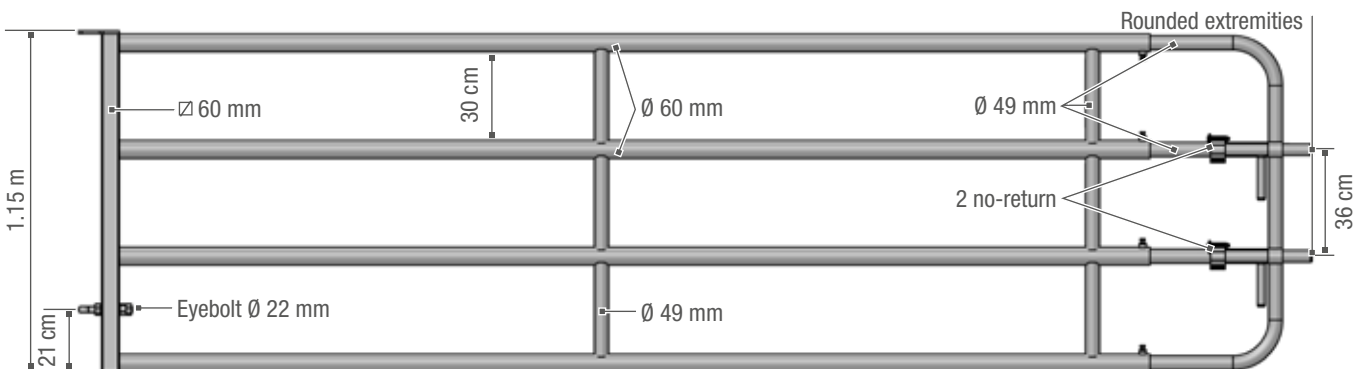
BARRIERS 4 BARS



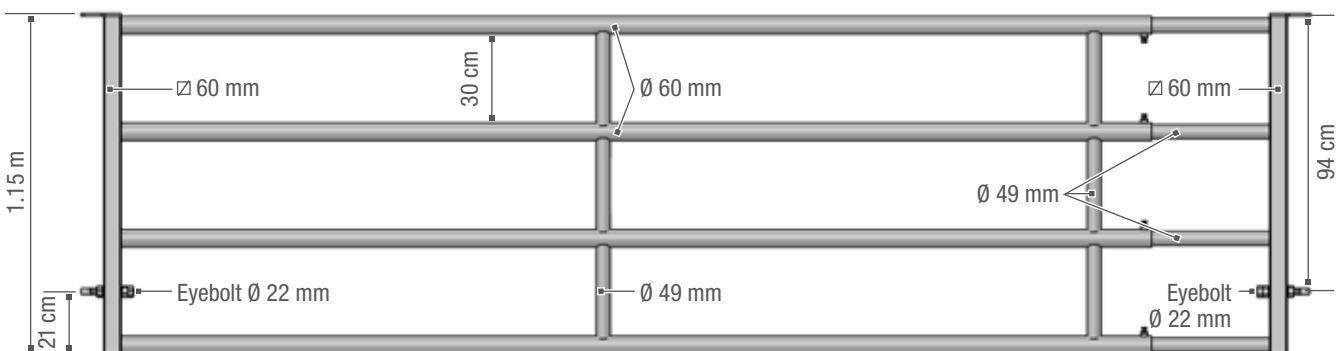
AUTOLOCK GATE EX 4



STANDARD GATE EX 4



PANEL EX 4



UNIQUE! TSE 275 STEEL Ø 60 mm. Resists flexing

TELESCOPIC BARRIER 4 BARS

Made from Ø 60 mm tube. Telescopic section Ø 49 mm tube. Spacers Ø 49 mm machined to provide a jawed end, 4 tightening points, reinforced eye bolt Ø 22 mm with 3 nuts passing through a steel bush. Raised easily by turning.

AUTOLOCK GATE EX 4

BA1750	Gate AUTOLOCK EX4 1/2 m	46 kg
BA1751	Gate AUTOLOCK EX4 2/3 m	62 kg
BA1752	Gate AUTOLOCK EX4 3/4 m	78 kg
BA1753	Gate AUTOLOCK EX4 4/5 m	97 kg
BA1754	Gate AUTOLOCK EX4 5/6 m	111 kg
BA1755	Gate AUTOLOCK EX4 6/7 m	133 kg

STANDARD GATE EX 4

BA1700	Gate STANDARD EX4 1/2 m	39 kg
BA1701	Gate STANDARD EX4 2/3 m	55 kg
BA1702	Gate STANDARD EX4 3/4 m	71 kg
BA1703	Gate STANDARD EX4 4/5 m	90 kg
BA1704	Gate STANDARD EX4 5/6 m	104 kg
BA1705	Gate STANDARD EX4 6/7 m	126 kg

PANEL EX 4

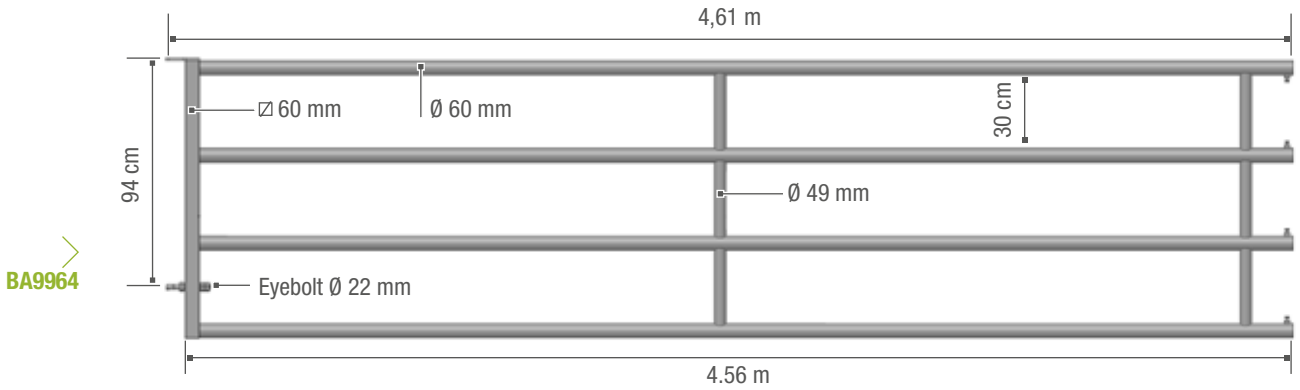
BA1800	Panel EX4 1/2 m	41 kg
BA1801	Panel EX4 2/3 m	57 kg
BA1802	Panel EX4 3/4 m	73 kg
BA1803	Panel EX4 4/5 m	92 kg
BA1804	Panel EX4 5/6 m	106 kg
BA1805	Panel EX4 6/7 m	128 kg



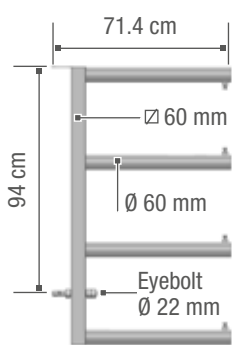
REMEMBER!

The gates are easy to manoeuvre and recommended for places where there is frequent circulation. The panels are equipped with bolts on the two extremities. They are recommended for separating groups. The gates and panels have a common modular rear section.

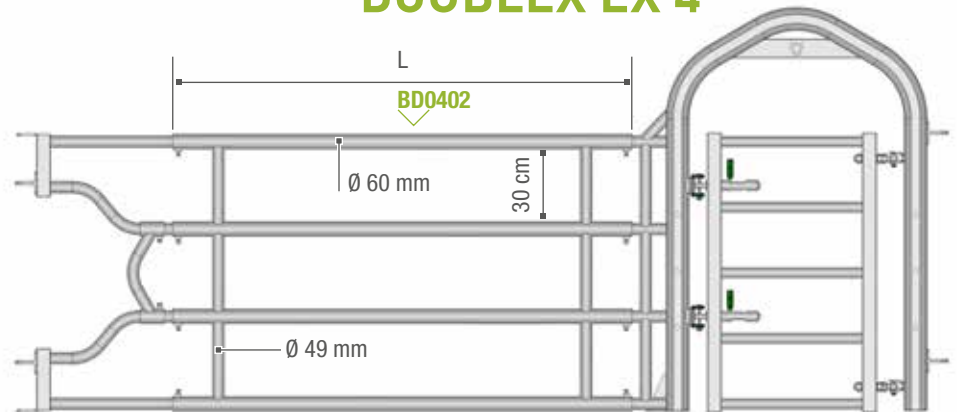
BACK EX 4



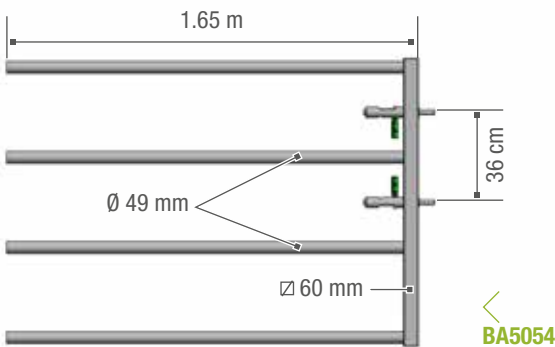
SHORT BACK EX 4



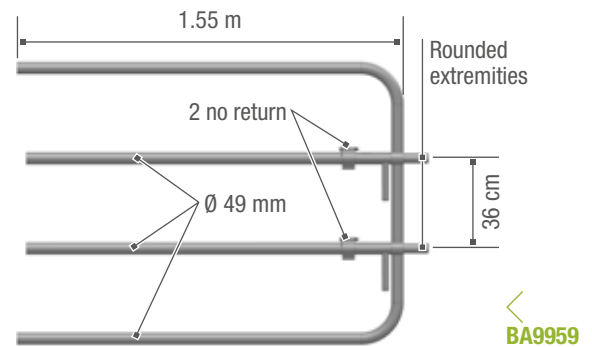
DOUBLEX EX 4



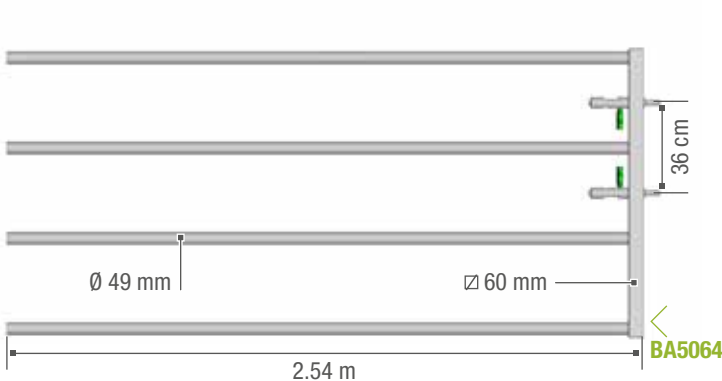
AUTOLOCK GATE FRONT EX 4



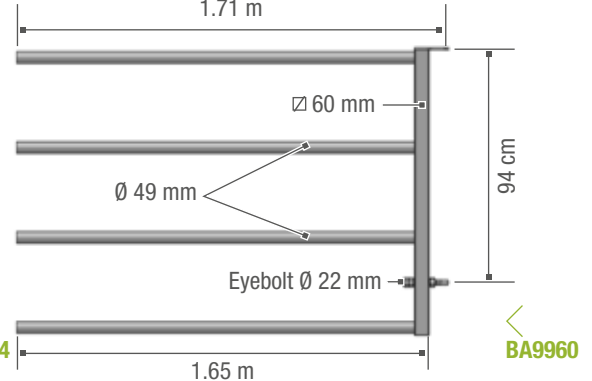
STANDARD GATE FRONT EX 4



FRONT GATE AUTOLOCK EX 4 LONG



PANEL FRONT EX 4



BACK EX 4

BA5010	Back EX 4 1/2 m (71 cm axis/pin)	(Pack x 6)	16 kg
BA9961	Back EX 4 2/3 m (1.61 m axis/pin)	(Pack x 12)	32 kg
BA9962	Back EX 4 3/4 m (2.61 m axis/pin)	(Pack x 12)	48 kg
BA9963	Back EX 4 4/5 m (3.61 m axis/pin)	(Pack x 12)	67 kg
BA9964	Back EX 4 5/6 m (4.61 m axis/pin)	(Pack x 12)	81 kg
BA9965	Back EX 4 6/7 m (5.61 m axis/pin)	(Pack x 6)	103 kg

DOUBLEX EX 4

Central female section enables a choice of optional EX 4 male sections to be inserted at either end

BD0401	Doublex EX 4 L. 90 cm	(Pack x 12)	19 kg
BD0402	Doublex EX 4 L. 1.90 m	(Pack x 12)	40 kg
BD0403	Doublex EX 4 L. 2.90 m	(Pack x 12)	61 kg

FRONT EX 4

BA5054	Front gate EX 4 AUTOLOCK (1.65 m)	(Pack x 12)	30 kg
BA9959	Front gate EX 4 STANDARD (1.55 m)	(Pack x 12)	23 kg
BA9960	Front Panel EX 4 (1.71 m)	(Pack x 12)	25 kg

EXTENDED FRONT EX 4

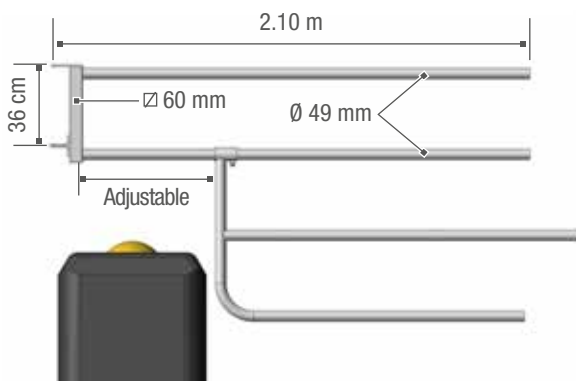
BA5064	Front gate AUTOLOCK EX 4 long L. 2.54 m	35 kg
BA5022	Front panel EX 4 long L. 2.54 m	36 kg





FRONT BARRIER (4 BARS)

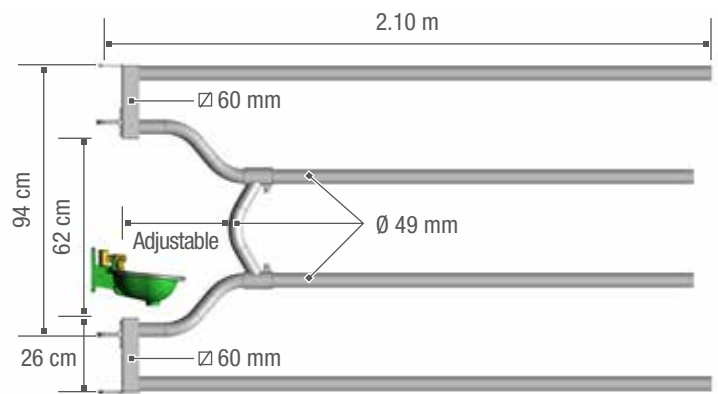
FRONT EX 4 FOR DRINKER TROUGH



! ATTENTION!
Use bar post 2.13 m with brackets.

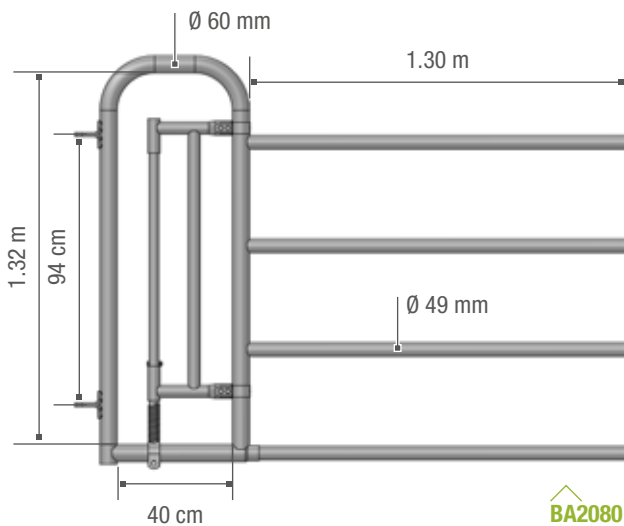
BA5025

FRONT EX 4 RECESS FOR DRINKING BOWL



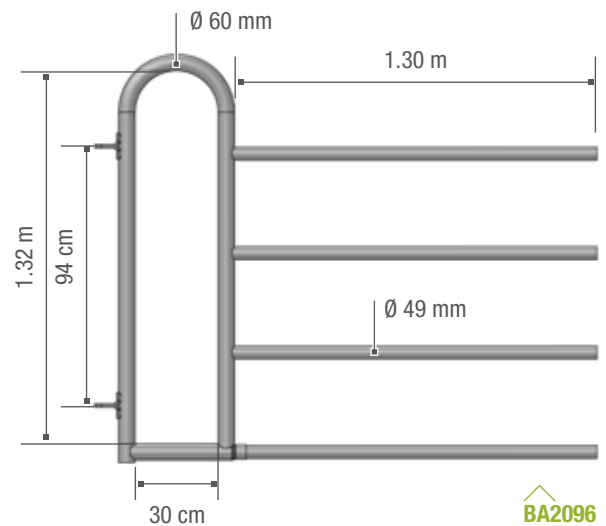
BA5035

FRONT EX 4 DUO WITH INCORPORATED GATE



BA2080

FRONT EX 4 MAN PASSAGE

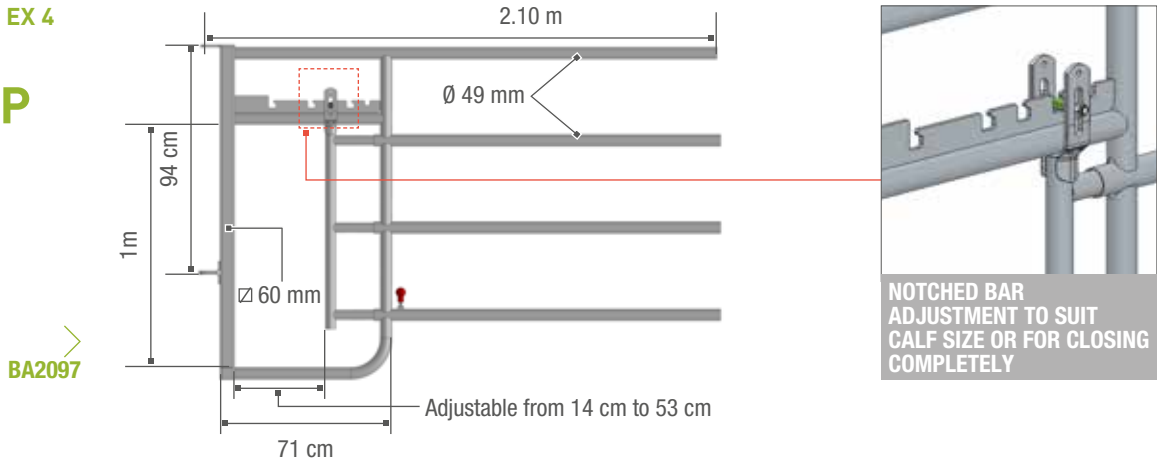


BA2096

FRONT BARRIER (4 BARS)

BA5025	Front EX 4 recess for drinker trough	(Pack x 6)	26 kg
BA5035	Front EX 4 recess for drinking bowl (drinker and stand not supplied)	(Pack x 6)	25 kg
BA2097	Front EX 4 with calf creep	(Pack x 6)	37 kg
BA2096	Front EX 4 man passage		34 kg
BA2080	Front EX 4 DUO with gate	(Pack x 6)	38 kg
BA2091	DUO gate only		7 kg
BA5000	Eyebolt Ø 22 mm + 3 nuts		0.7 kg

FRONT FOR EX 4 CALF CREEP



OUR STRENGTHS

- Our barriers have spacers Ø 49 mm machined to provide a jaw shape in order to provide absolute rigidity when pushed by an animal.

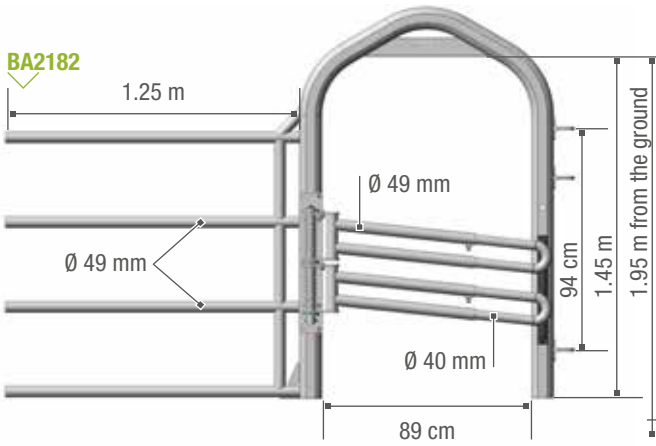
REMEMBER!

Because of its fixed lower section, the calf creep only leaves from + 200 and - 400 mm of the nominal length of the panel. example: 4/5 m post centre to centre becomes 4.60 / 5.20 m.

All the posts will be Standard EX, EXCEPT the EX 4 front for the (BA5025) drinker which will require a BARE post + brackets.

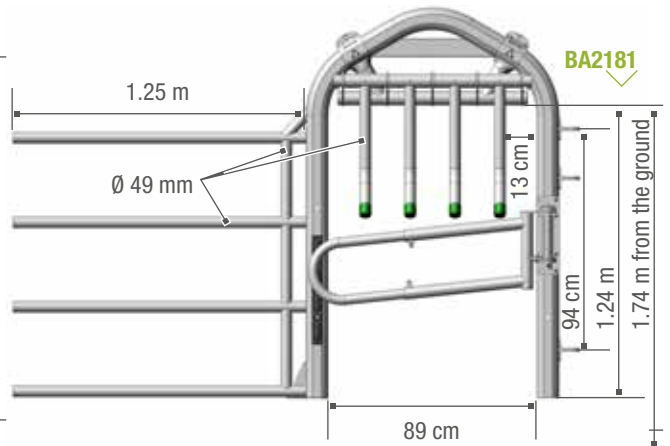


WESTERN FRONT PASSAGE WITH
**NO-RETURN
GATE DOUBLE**



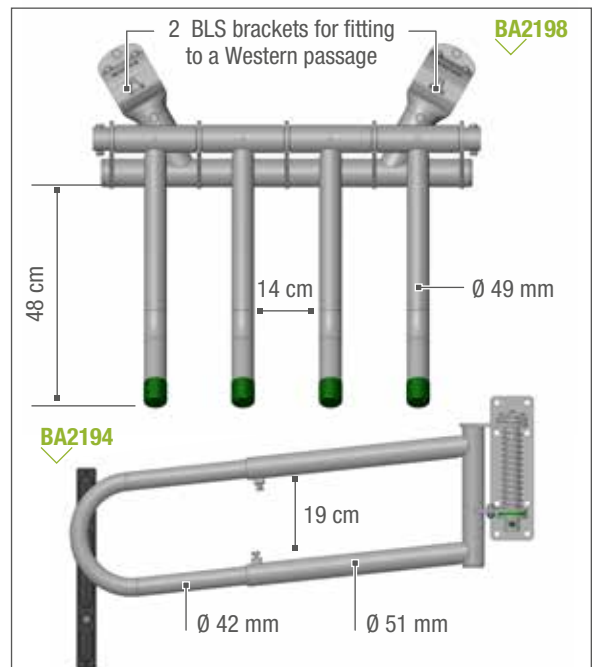
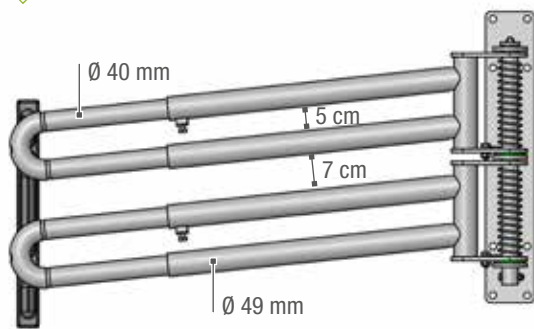
WESTERN
FRONT PASSAGE WITH
**GATE
FINGER**

YouTube ENTER JOURDAIN



BA2197 - Complete gate with fingers

BA2195

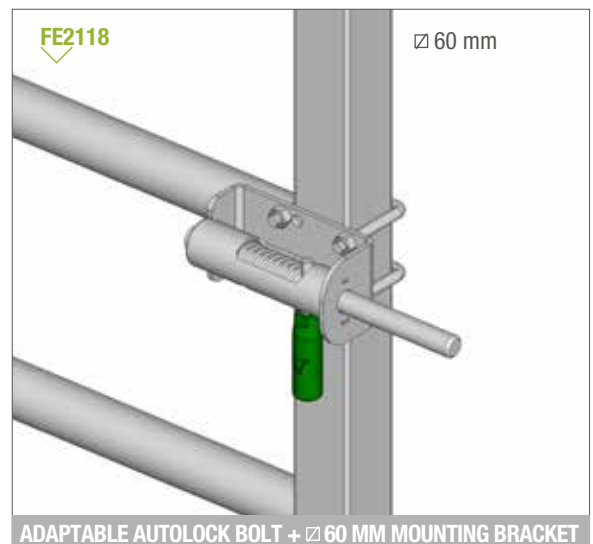
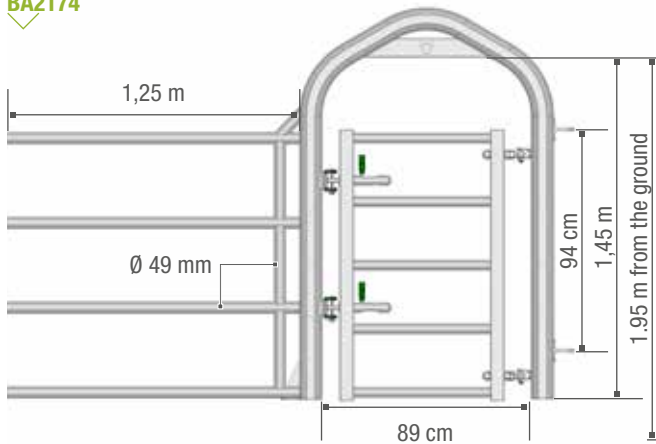


FRONT PASSAGE
WIDE



YouTube ENTER JOURDAIN

BA2174



ADAPTABLE AUTOLOCK BOLT + \varnothing 60 MM MOUNTING BRACKET

FRONT PASSAGE

WESTERN EX 4

Very tough frame in octagonal profile tube \varnothing 102 mm.

The no return passage has been designed for use uniquely with robot milking machines. Not to be used as a partition.

BA2182	Front EX 4 WESTERN passage no-return gate double		77 kg
BA2181	Front EX 4 WESTERN passage with gate finger		90 kg
BA2095	Front EX 4 WESTERN passage without gate		53 kg
BA2195	No-return gate double		24 kg
BA2197	No-return gate finger (top+bottom part)		37 kg
BA2194	No-return gate single	(Pack x 6)	14 kg
BA2198	Top part of gate finger		23 kg

FRONT PASSAGE

WIDE EX 4

Very tough frame in octagonal profile tube \varnothing 102 mm. Wide version of the small gate with two AUTOLOCK bolts enabling both the stockman and the animals the pass through safely. Not recommended for fattening systems. Avoid lengths of over 5 m.

BA2174	Front EX 4 wide passage with small gate	(Pack x 6)	76.5 kg
BA2178	Small gate for wide passage		20.5 kg

RAISABLE BAR FOR

EX 4 AND EX 5 BARRIERS

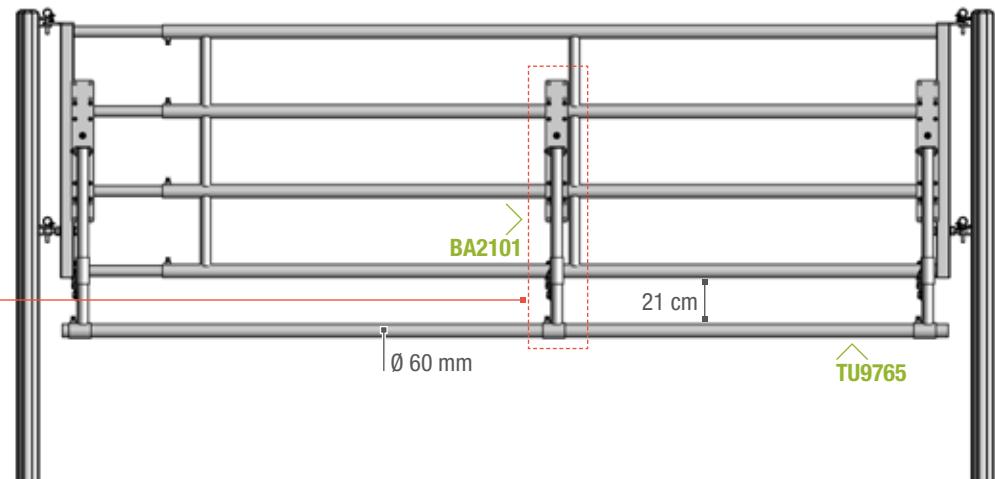
Raisable bracket for attaching a supplementary \varnothing 60 mm bar, in order to prevent young animals from going under the barrier. As the bedding rises, the bar can be attached in the raised position. Allow two BA2101 brackets for up to 3 m. For sizes greater than that, allow three brackets.

BA2101	Raisable bracket for barrier		7 kg
TU9764	Tube \varnothing 60 mm 4 m		16 kg
TU9765	Tube \varnothing 60 mm 5 m		20 kg
TU9766	Tube \varnothing 60 mm 6 m		24 kg

EX OPTION

Adaptable bolt, can be used to change a panel into an AUTOLOCK gate.

FE2118	Adaptable AUTOLOCK bolt + \varnothing 60 mm mounting bracket	(Pack x 10)	2 kg
---------------	--	-------------	------

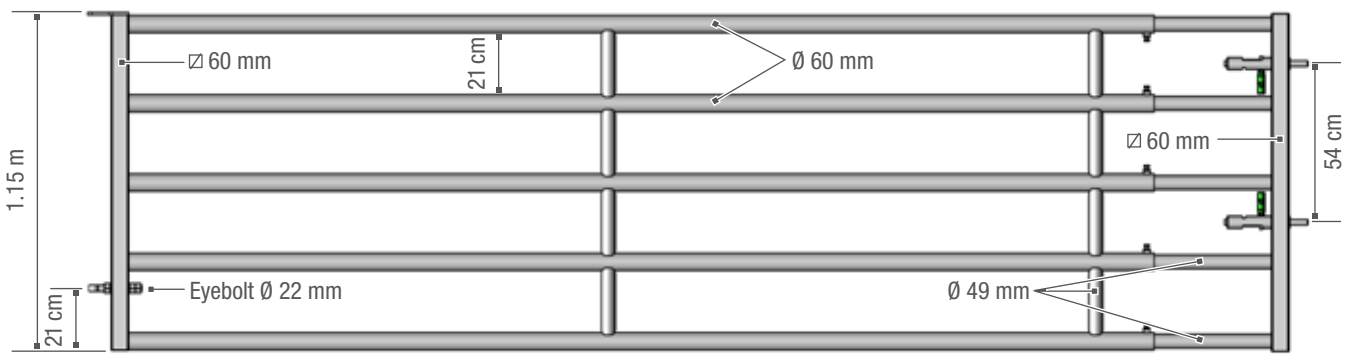
RAISABLE**BAR****BAR IN****LOWER POSITION**



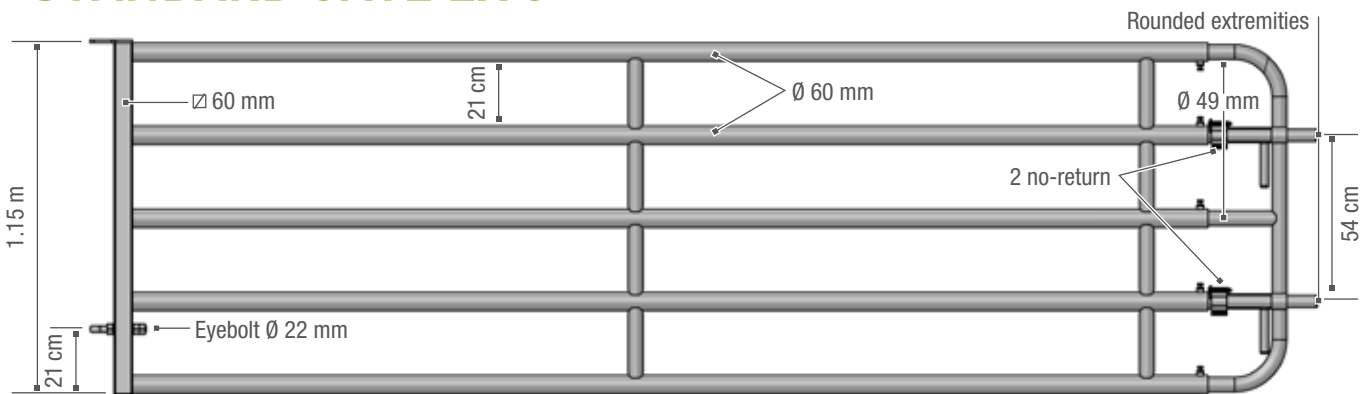
GATES 5 BARS



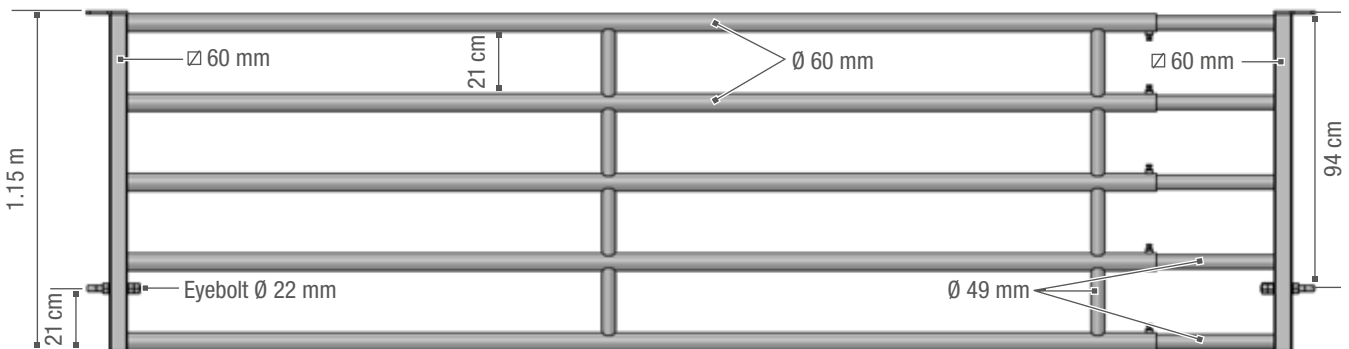
AUTOLOCK GATE EX 5



STANDARD GATE EX 5



PANEL EX 5



UNIQUE! TSE 275 STEEL Ø 60 mm. Resists flexing

TELESCOPIC BARRIER 5 BARS

Made from Ø 60 mm tube. Telescopic section Ø 49 mm tube. Spacers Ø 49 mm machined to provide a jawed end, 4 tightening points, reinforced eye bolt Ø 22 mm with 3 nuts passing through a steel bush. Raised easily by turning.

AUTOLOCK GATE EX 5

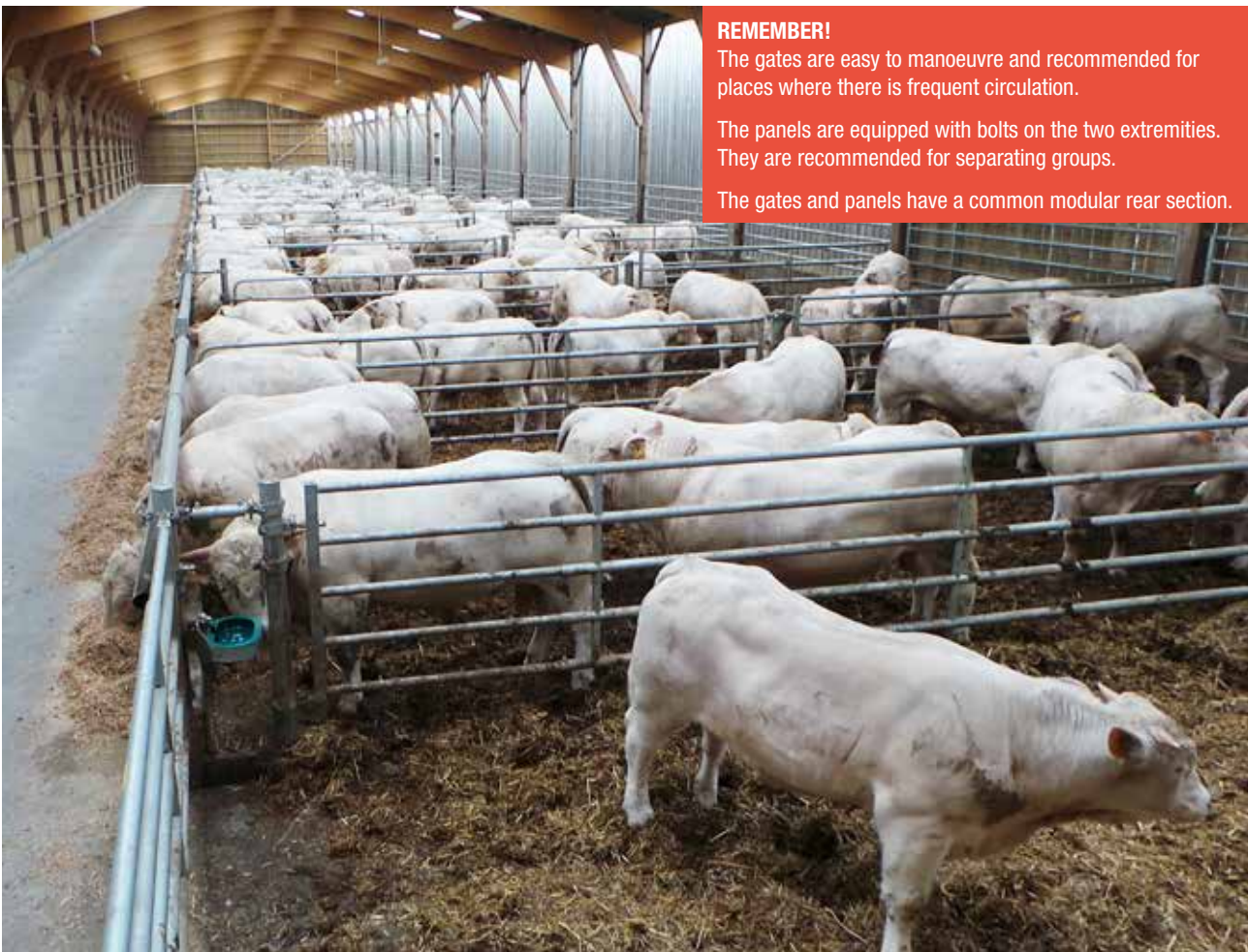
BA1950	Gate AUTOLOCK EX 5 1/2 m	53 kg
BA1951	Gate AUTOLOCK EX 5 2/3 m	73 kg
BA1952	Gate AUTOLOCK EX 5 3/4 m	93 kg
BA1953	Gate AUTOLOCK EX 5 4/5 m	115 kg
BA1954	Gate AUTOLOCK EX 5 5/6 m	136 kg
BA1955	Gate AUTOLOCK EX 5 6/7 m	158 kg

STANDARD GATE EX 5

BA1900	Gate STANDARD EX 5 1/2 m	45 kg
BA1901	Gate STANDARD EX 5 2/3 m	65 kg
BA1902	Gate STANDARD EX 5 3/4 m	85 kg
BA1903	Gate STANDARD EX 5 4/5 m	107 kg
BA1904	Gate STANDARD EX 5 5/6 m	128 kg
BA1905	Gate STANDARD EX 5 6/7 m	150 kg

PANEL EX 5

BA2000	Panel EX 5 1/2 m	48 kg
BA2001	Panel EX 5 2/3 m	67 kg
BA2002	Panel EX 5 3/4 m	87 kg
BA2003	Panel EX 5 4/5 m	110 kg
BA2004	Panel EX 5 5/6 m	130 kg
BA2005	Panel EX 5 6/7 m	152 kg



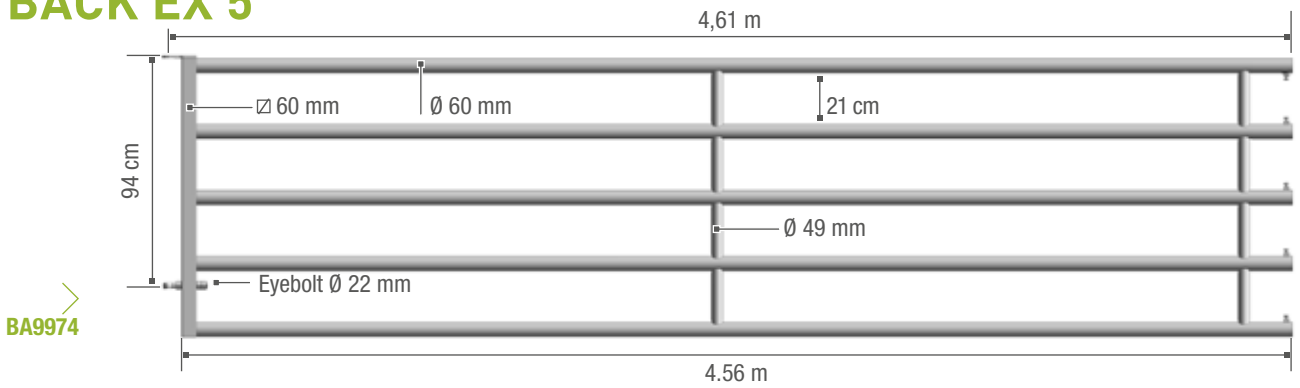
REMEMBER!

The gates are easy to manoeuvre and recommended for places where there is frequent circulation.

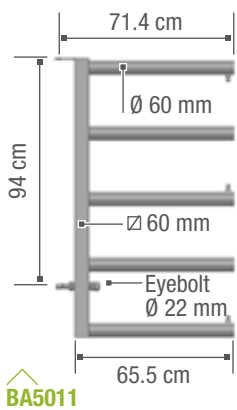
The panels are equipped with bolts on the two extremities. They are recommended for separating groups.

The gates and panels have a common modular rear section.

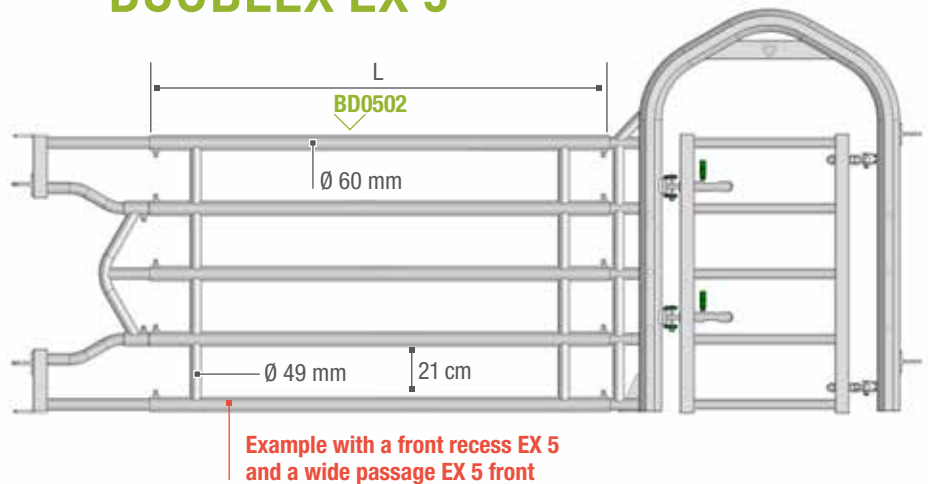
BACK EX 5



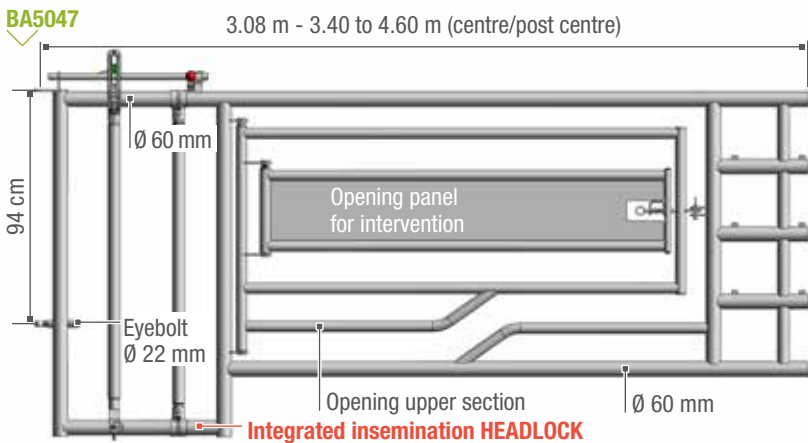
SHORT BACK EX 5



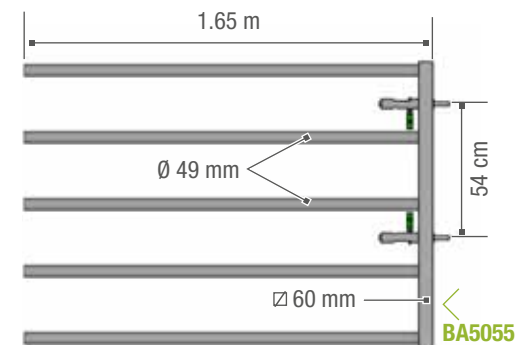
DOUBLEX EX 5



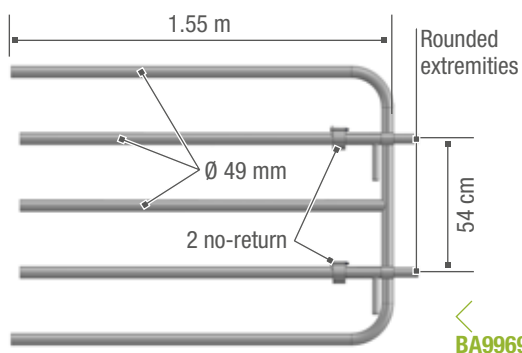
BACK EX 5 VET 3 IN 1



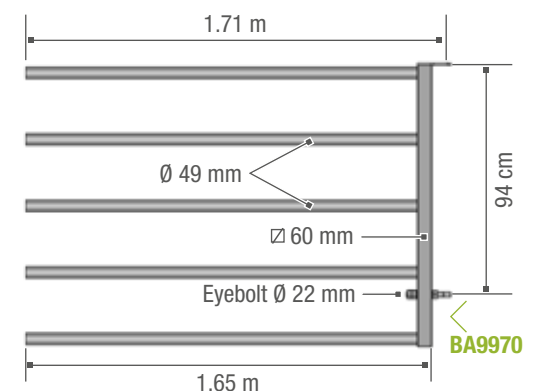
GATE FRONT AUTOLOCK EX 5



GATE FRONT STANDARD EX 5



PANEL FRONT EX 5



BACK EX 5

BA5011	Back EX 5 1/2 m (71 cm axis/pin)	(Pack x 6)	18 kg
BA9971	Back EX 5 2/3 m (1.61 m axis/pin)	(Pack x 12)	38 kg
BA9972	Back EX 5 3/4 m (2.61 m axis/pin)	(Pack x 12)	58 kg
BA9973	Back EX 5 4/5 m (3.61 m axis/pin)	(Pack x 12)	80 kg
BA9974	Back EX 5 5/6 m (4.61 m axis/pin)	(Pack x 12)	101 kg
BA9975	Back EX 5 6/7 m (5.61 m axis/pin)	(Pack x 6)	123 kg

BACK EX 5 “VET 3 IN 1”

Partition for treatment pen with an insemination headlock, and opening upper section for Caesareans with an EX 5 back.
From 3.41 to 4.60 m (centre/post centre)

BA5047	BACK EX 5 “VET 3 IN 1”		85 kg
---------------	------------------------	--	-------

DOUBLEX EX 5

Female central section enabling a male section from the list of EX 5 options to be inserted at either end

BD0501	Doublex EX 5 L. 90 cm	(Pack x 12)	22 kg
BD0502	Doublex EX 5 L. 1.90 m	(Pack x 12)	47 kg
BD0503	Doublex EX 5 L. 2.90 m	(Pack x 12)	71 kg

FRONT EX 5

BA5055	Front gate AUTOLOCK EX 5 (1.65 m)	(Pack x 12)	35 kg
BA9969	Front gate STANDARD EX 5 (1.65 m)	(Pack x 12)	27 kg
BA9970	Front panel EX 5 (1.71 m)	(Pack x 12)	30 kg

EXTENDED EX 5

BA5065	Front gate AUTOLOCK EX 5 long L. 2.54 m		41 kg
BA5023	Front panel EX 5 long L. 2.54 m		42 kg

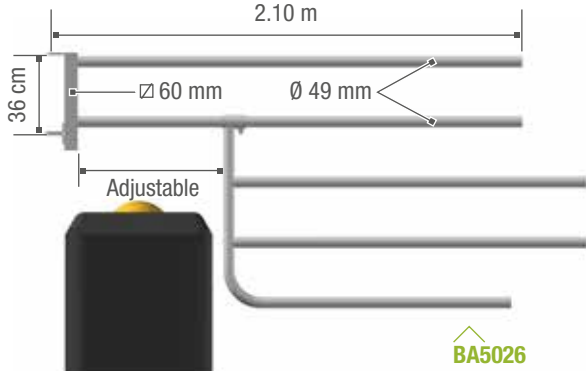
FRONT GATE AUTOLOCK EX 5 LONG





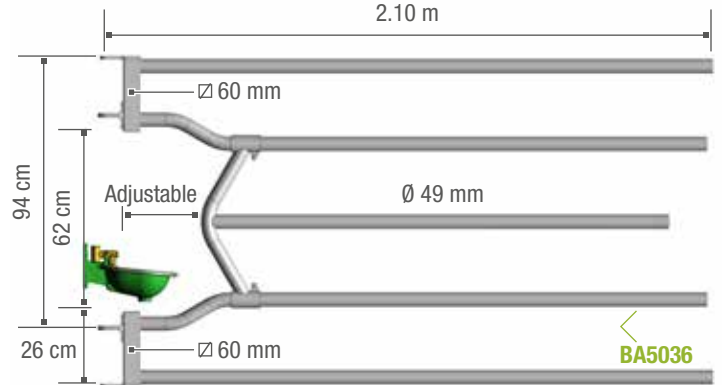
FRONT BARRIER (5 BARS)

FRONT EX 5 FOR DRINKER TROUGH

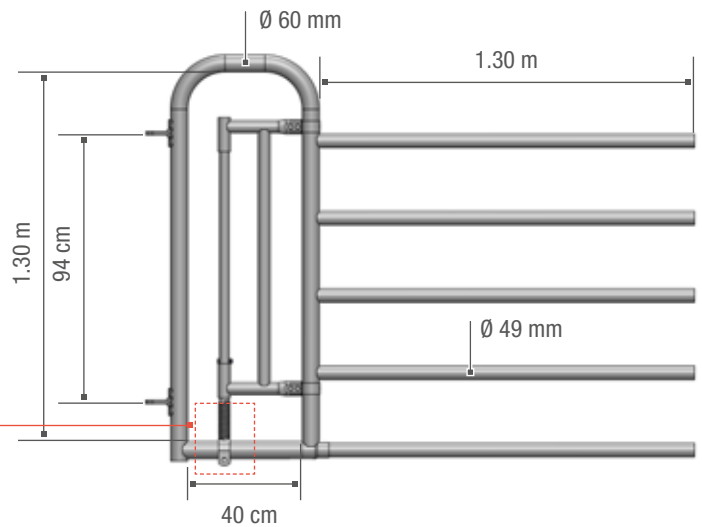
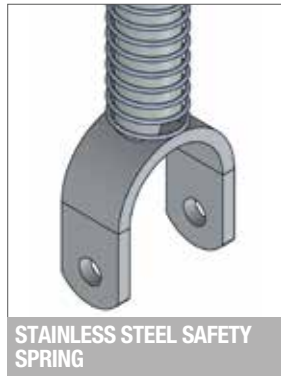


! IMPORTANT!
Use bare post 2.13 m with brackets.

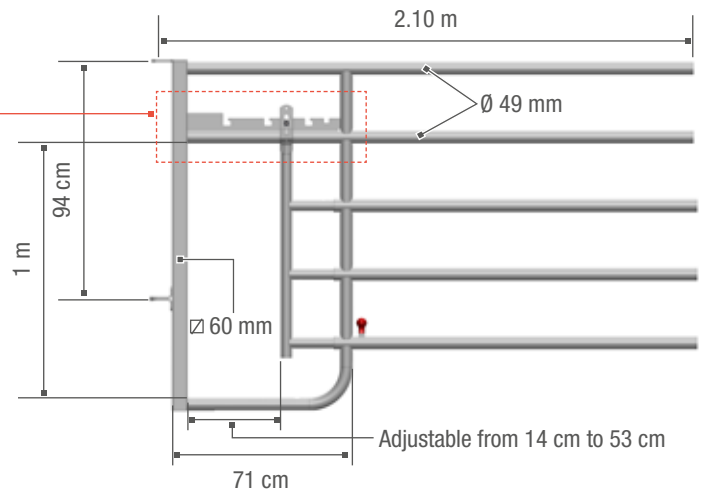
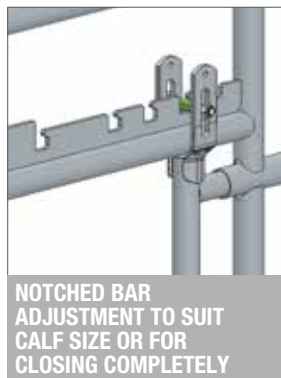
FRONT EX 5 RECESS FOR DRINKING BOWL



FRONT EX 5 DUO WITH INCORPORATED GATE



FRONT EX 5 CALF CREEP



FRONT BARRIER

(5 BARS)

BA5026	Front EX 5 recess for drinker trough L. 2.05m	(Pack x 6)	30 kg
BA5036	Front EX 5 recess for drinking bowl L. 2.05m (drinker and stand not supplied)	(Pack x 6)	29 kg
BA2098	Front EX 5 with calf creep with instantaneous rack based adjustment	(Pack x 6)	40 kg
BA2090	Front EX 5 DUO with gate	(Pack x 6)	42 kg
BA2091	DUO gate only		7 kg
BA5000	Eyebolt Ø 22 mm + 3 nuts		0.7 kg



OUR STRENGTHS

- Our barriers have spacers Ø 49 mm machined to provide a jaw shape in order to provide absolute rigidity when pushed by animal.
- The calf creep and drinker opening are easy to use and very strong (the lower section is supported by the upper section.)

REMEMBER!

Because of its fixed lower section, the calf creep only leaves from + 200 and - 400 mm of the nominal length of the panel. example: 4/5 m post centre to centre becomes 4.60 / 5.20 m.

All the posts will be Standard EX, EXCEPT the EX 5 front for the (BA5026) drinker which will require a BARE post + brackets.

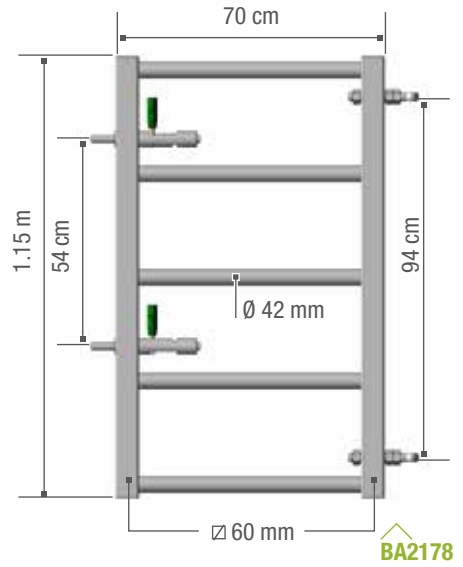
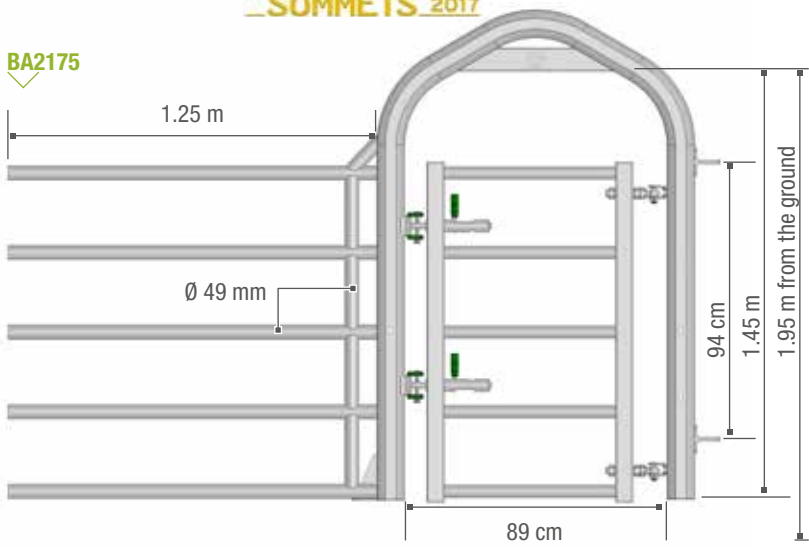
FRONT PASSAGE WIDE

You Tube TAPEZ JOURDAIN



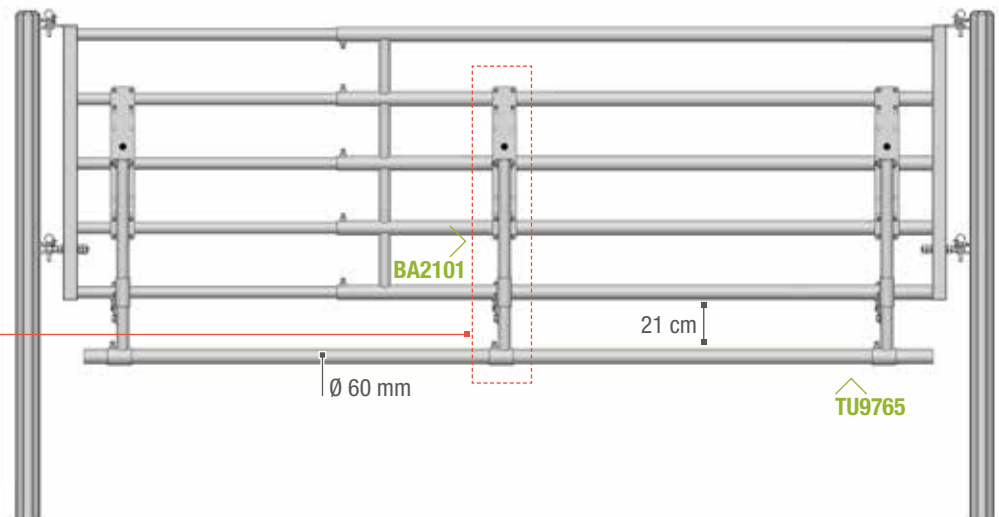
SMALL GATE FOR WIDE PASSAGE

BA2175



RAISABLE BAR

BAR IN LOWER POSITION



FRONT PASSAGE

WIDE EX 5

Very tough frame in octagonal profile tube \varnothing 102 mm. Wide version of the small gate with two AUTOLOCK bolts enabling both the stockman and the animals the pass through safely. Not recommended for fattening systems. Avoid lengths of over 5 m.

BA2175	Front EX 5 wide passage with small gate	(Pack x 6)	82.5 kg
BA2178	Small gate for wide passage		20.5 kg

RAISABLE BAR FOR

EX 4 AND EX 5 BARRIERS

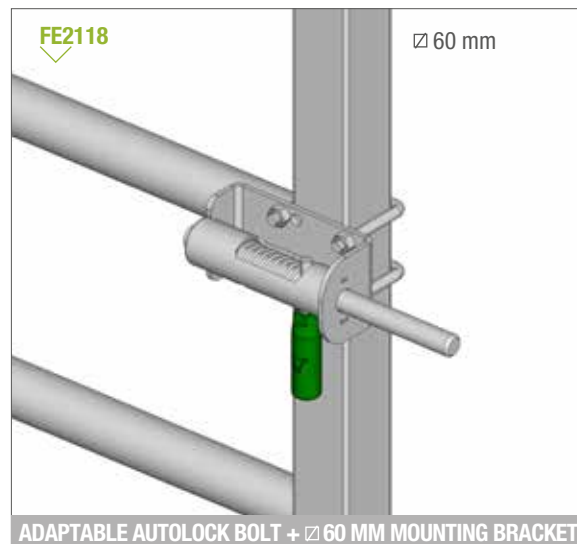
Raisable bracket for attaching a supplementary \varnothing 60 mm bar, in order to prevent young animals from going under the barrier. As the bedding rises, the bar can be attached in the raised position. Allow two BA2101 brackets for up to 3 m. For sizes greater than that, allow three brackets.

BA2101	Raisable bracket for barrier	7 kg
TU9764	Tube \varnothing 60 mm 4 m	16 kg
TU9765	Tube \varnothing 60 mm 5 m	20 kg
TU9766	Tube \varnothing 60 mm 6 m	24 kg

EX OPTION

Adaptable bolt, can be used to change a panel into an AUTOLOCK gate.

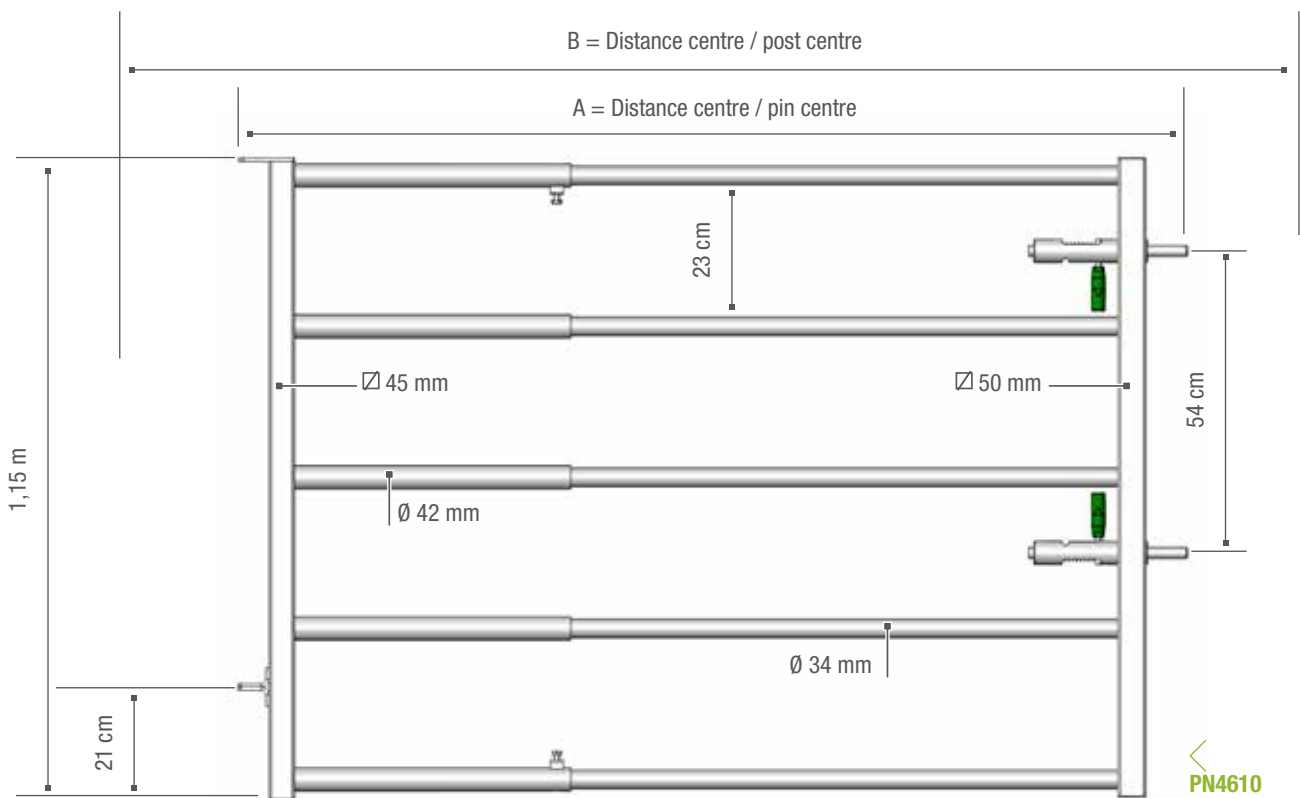
FE2118	Adaptable AUTOLOCK bolt + \varnothing 60 mm mounting bracket	(Pack x 10)	2 kg
---------------	--	-------------	------





SMALL GATE 5 BARS

GATE TELESCOPIC 5 BARS



TELESCOPIC

SMALL GATE 5 BARS

Small service gate composed of a 5-tube rear (length: 60 cm) and an AUTOLOCK field front (length 1.50 m). The front should be cut to the required length. Delivered with 2 AUTOLOCK bolts as standard. For panel assembly, please purchase panel front sachet SAC552.

PN4610	Small gate 60/150 cm		28 kg	NEW
PN4685	Back EX 5 60/100 cm	(Pack x 7)	10 kg	
BH4353	Field front AUTOLOCK	(Pack x 14)	20 kg	
ACCESSORY FOR 5 BAR GATES				
SAC552	Panel front sachet		1,2 kg	

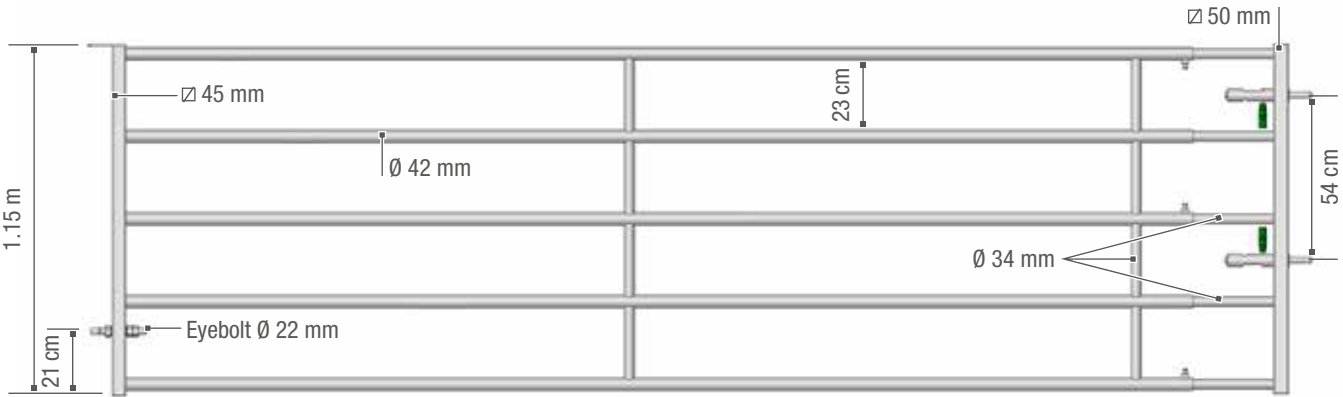
GATE	A: MINI	MAXI (IN MM)	B: MINI	MAXI (IN MM)
60 / 150 cm	1.67 m	2.07 m	1.85 m	2.23 m



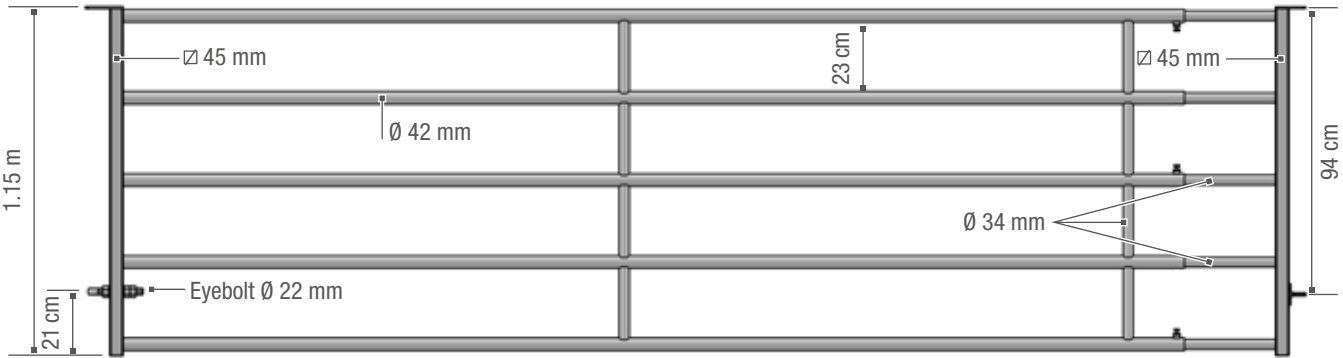


FIELD GATE

FIELD GATE AUTOLOCK



FIELD PANEL



FIELD

BARRIER

Made from \emptyset 42 mm tube. Telescopic section \emptyset 34 mm. Spacers \emptyset 34 mm machined to provide a jawed end, 3 tightening points, reinforced eye bolts \emptyset 22 mm with 3 nuts passing through a steel bush. Raised easily by turning.

FIELD GATE AUTOLOCK

BH4304	Field gate AUTOLOCK 2/3 m	42 kg
BH4305	Field gate AUTOLOCK 3/4 m	55 kg
BH4306	Field gate AUTOLOCK 4/5 m	70 kg
BH4307	Field gate AUTOLOCK 5/6 m	82 kg

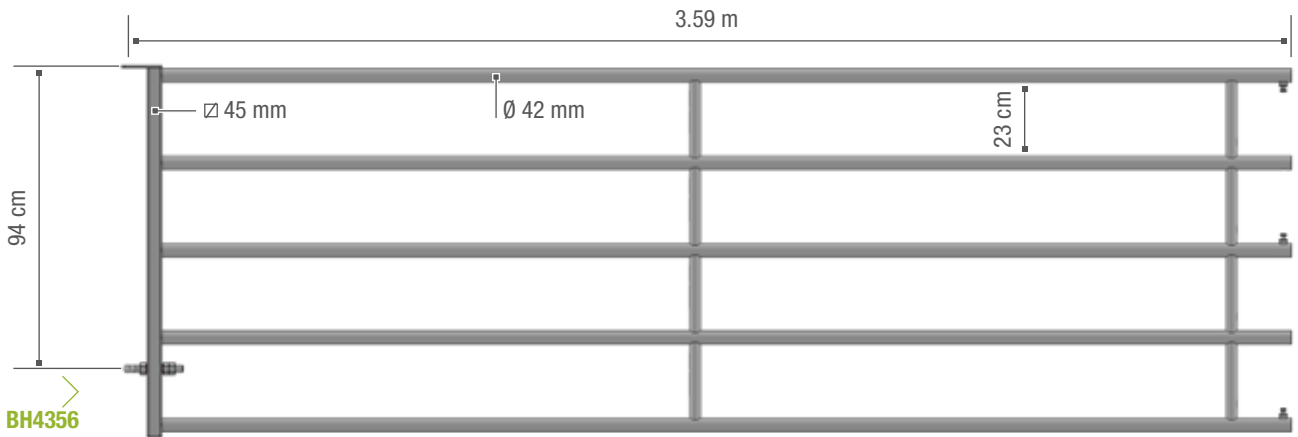
FIELD PANEL

Ideally suited for calf fattening pens.

BH4309	Field panel 2/3 m	42 kg
BH4310	Field panel 3/4 m	53 kg
BH4311	Field panel 4/5 m	68 kg
BH4312	Field panel 5/6 m	80 kg



FIELD BACK

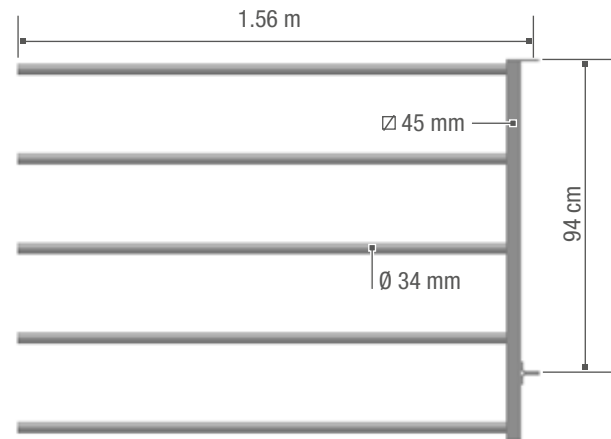


FIELD GATE FRONT AUTOLOCK



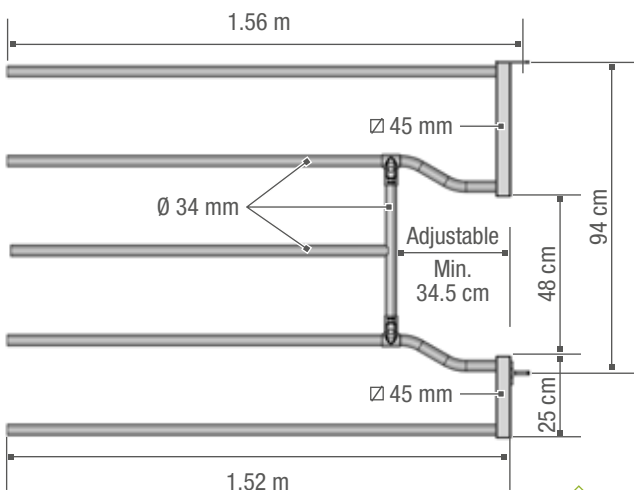
BH4353

FIELD PANEL FRONT



BH4351

FIELD FRONT WITH RECESS



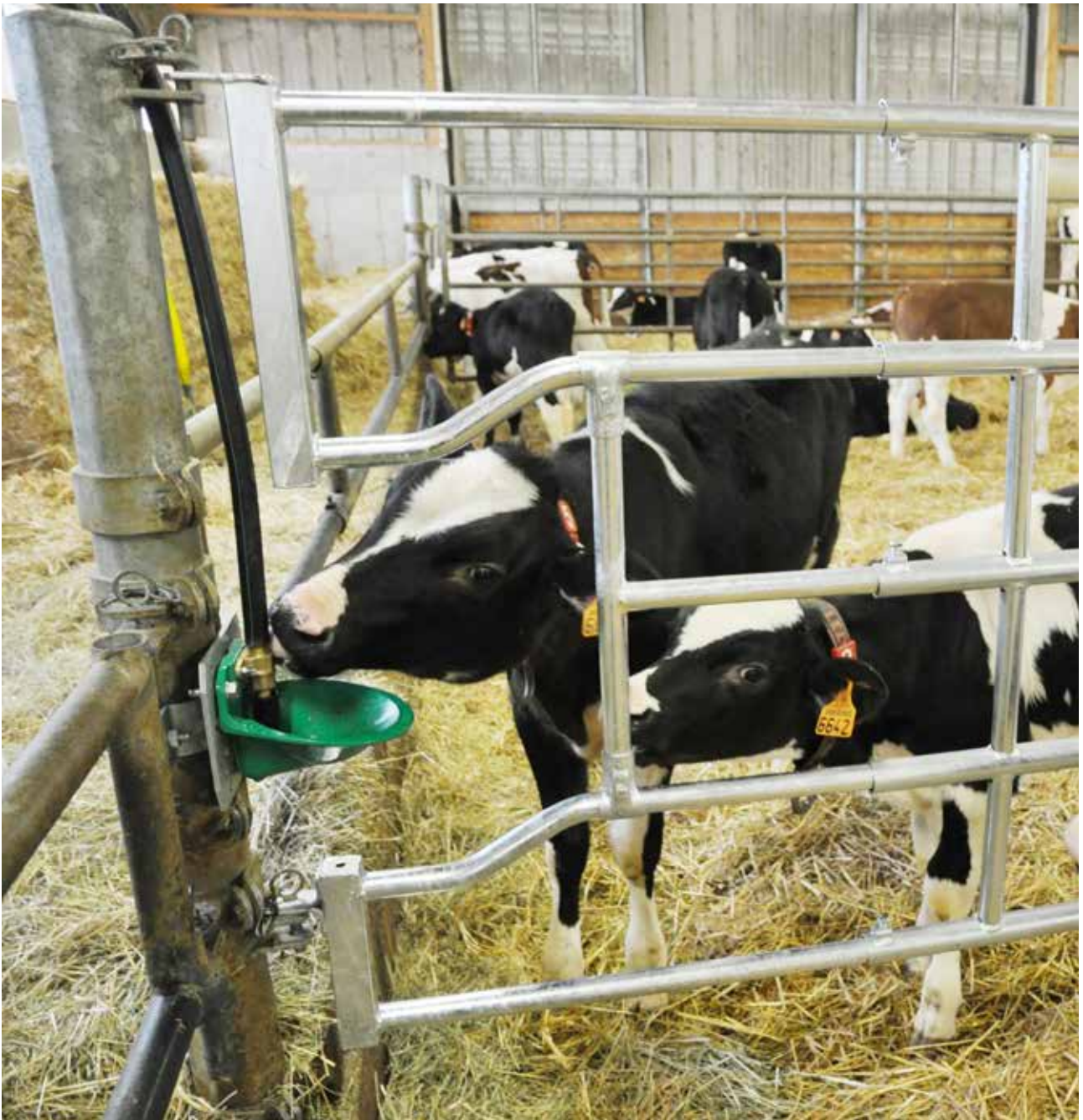
BH4352

FIELD BACK

BH4354	Field back 2/3 m (1.59 m axis/pin)	(Pack x 14)	22 kg
BH4355	Field back 3/4 m (2.59 m axis/pin)	(Pack x 14)	35 kg
BH4356	Field back 4/5 m (3.59 m axis/pin)	(Pack x 14)	50 kg
BH4357	Field back 5/6 m (4.59 m axis/pin)	(Pack x 14)	62 kg

FIELD FRONT

BH4353	Field front AUTOLOCK (1.52 m)	(Pack x 14)	20 kg	NEW
BH4351	Field panel front (1.56 m)	(Pack x 14)	18 kg	
BH4352	Field panel front recess for drinker. Ideally suited for calf fattening pens (1.56 m)		18 kg	





RAISABLE DIVIDING GATE

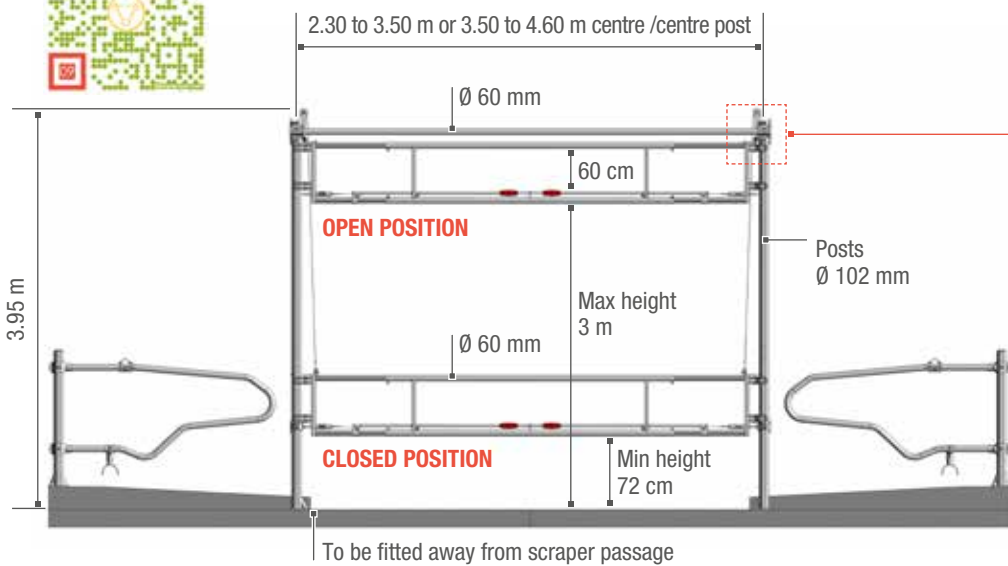
RAISABLE CUBICLE DIVIDING GATE

YouTube ENTER JOURDAIN

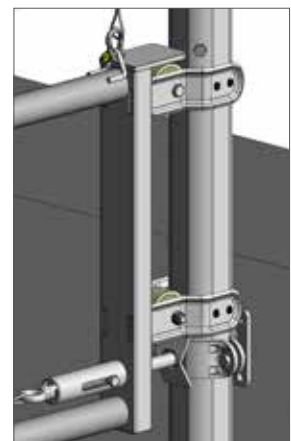
Raisable cubicle dividing gates are made up of a steel frame with 2 guided adjustable ends on 4 rollers. A non galvanised steel counterweight slides inside an octagonal post \varnothing 102 mm. Please install a rope at the middle of the partition in order to lower it from the open position to the closed position. Cable locking in the closed position.

- L03023 Raisable cubicle dividing gate 2.30 / 3.50 m
- L03034 Raisable cubicle dividing gate 3.40 / 4.60 m

220 kg **NEW**
 240 kg **NEW**



REMEMBER!
 For your safety, ensure that cable tightness and wear are checked regularly.





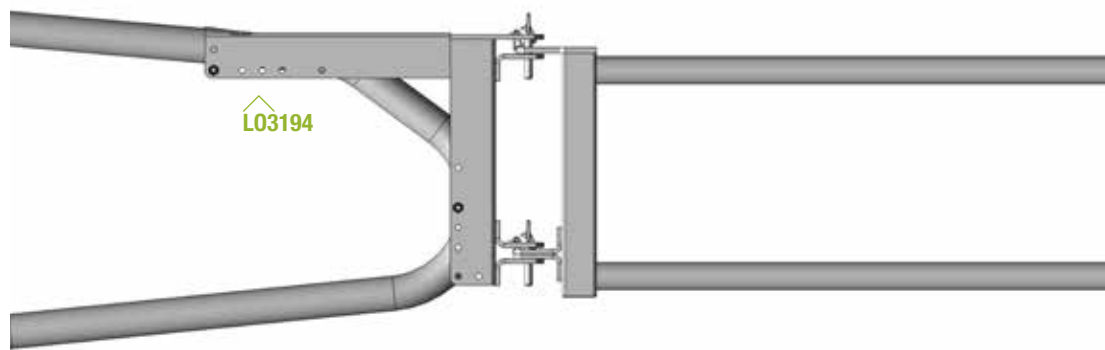
GATES FOR CUBICLES

ADAPTER FOR CUBICLE GATE

The adapter enables a telescopic 2 bars gate to be attached to the cubicle made from \varnothing 60 mm and \varnothing 49 mm tubes.

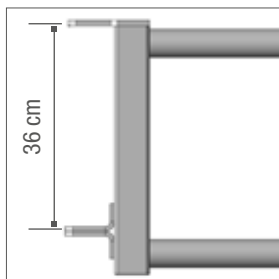
L03194 Cubicle adapter

7 kg

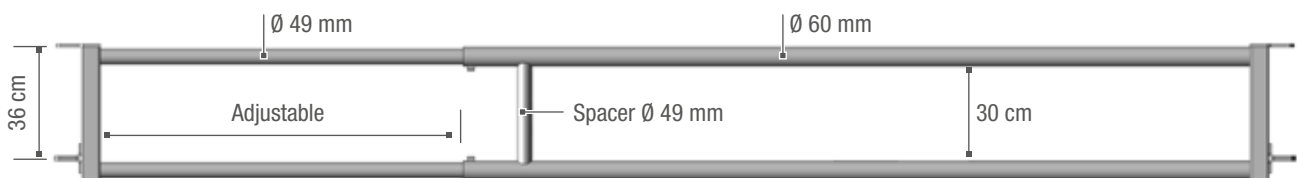


CUBICLE GATE

Back made using \varnothing 60 mm tube and adjustable front part \varnothing 49 mm tube.



L03195	Cubicle dividing gate 2 / 3 m (1 spacer)	26 kg
L03196	Cubicle dividing gate 3 / 4 m (1 spacer)	34 kg
L03197	Cubicle dividing gate 4 / 5 m (2 spacers)	42 kg
L03198	Cubicle dividing gate 5 / 6 m (2 spacers)	50 kg



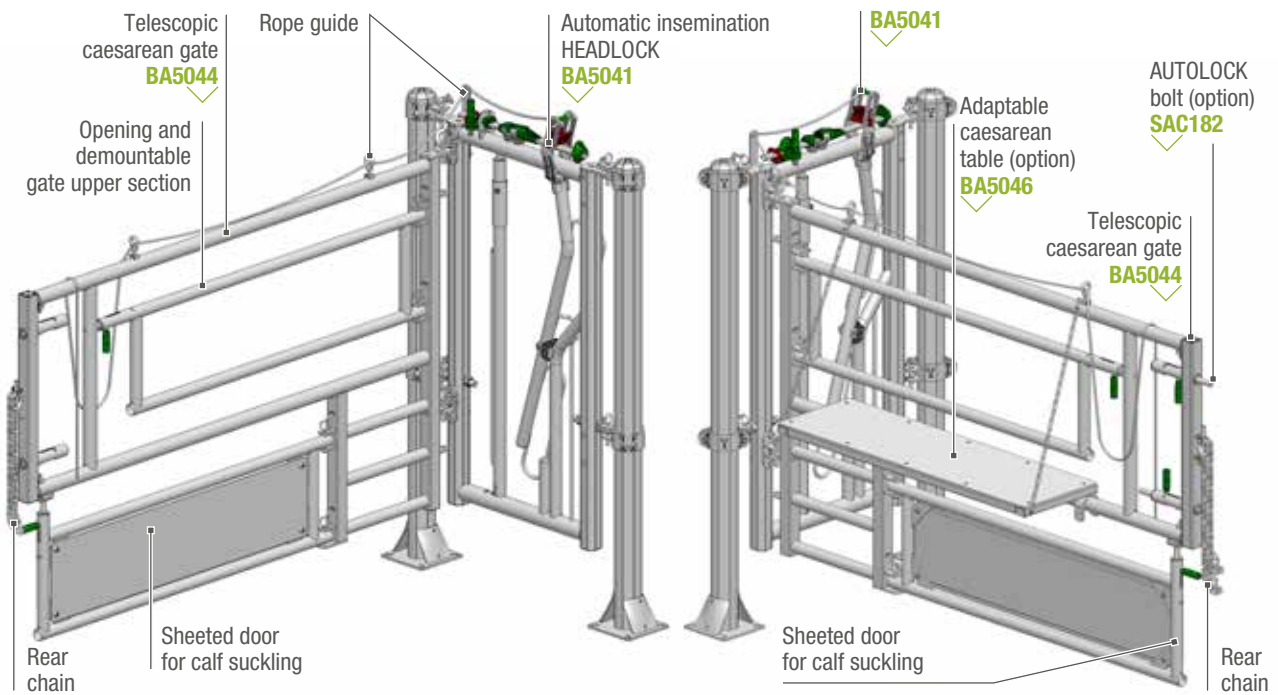


CAESAREAN

EX 5 FRONT INSEMINATION

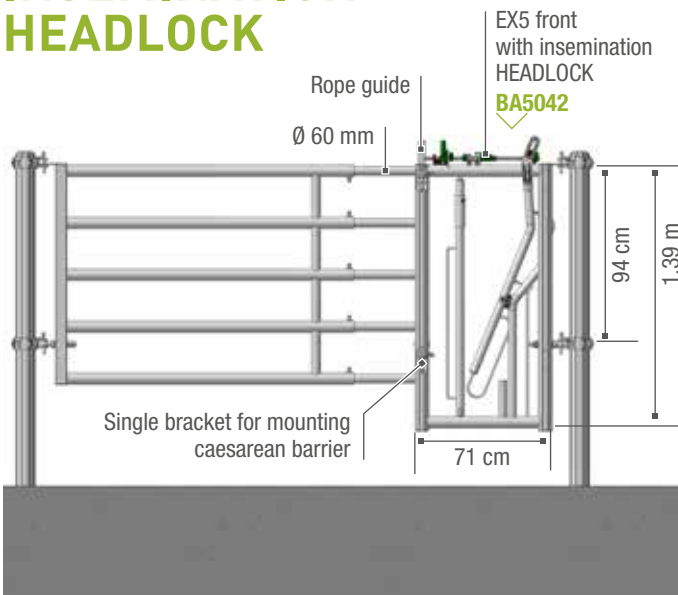
TELESCOPIC CAESAREAN GATE

NEW



EX5 FRONT WITH AUTOMATIC INSEMINATION HEADLOCK

NEW



TELESCOPIC CAESAREAN

GATE

TELESCOPIC CAESAREAN GATE WITH 2 DIFFERENT MOUNTING HEIGHTS, IT CAN BE FITTED TO THE AUTOMATIC INSEMINATION HEADLOCK AND CAN EITHER BE HELD BY CHAIN OR LOCKED AGAINST AN OCTAGONAL POST BY ADDING A BRACKET AND AN AUTOLOCK BOLT. The upper gate is both openable and demountable, the lower sheeted gate is both openable and demountable in order to provide unobstructed access for calf suckling.

BA5044	Telescopic caesarean gate	65 kg	NEW
SAC182	AUTOLOCK bolt (option)	1.7 kg	

ADAPTABLE TABLE FOR

CAESAREAN GATE

TABLE WITH PLASTIC TOP FITTED USING A CHAIN TO THE TELESCOPIC CAESAREAN GATE. It enables the womb to be supported externally during Caesareans and also for supporting instruments. Simple to clean and disinfect.

BA5046	Adaptable Caesarean table	13.50 kg	NEW
---------------	---------------------------	----------	------------

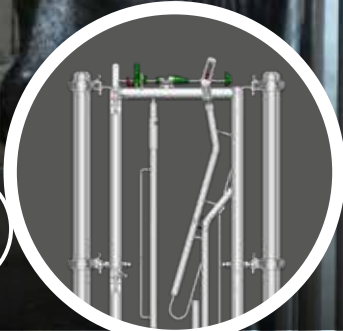
EX 5 FRONT WITH

AUTOMATIC INSEMINATION HEADLOCK

EX 5 FRONT WITH REINFORCED AUTOMATIC INSEMINATION HEADLOCK, FITTED WITH A HALF MOON LINKAGE, LOCKING HOUSING AND COMPOSITE STOP. It has easy yoke adjustment and can be demounted using the upper handle if an animal falls. It consists of 2 octagonal tube uprights Ø 76 mm predrilled with a pair of single brackets in order to carry the Caesarean barrier. It will fit the EX 5 backs.

BA5042	EX 5 front with Axial II insemination HEADLOCK	59 kg	NEW
---------------	--	-------	------------

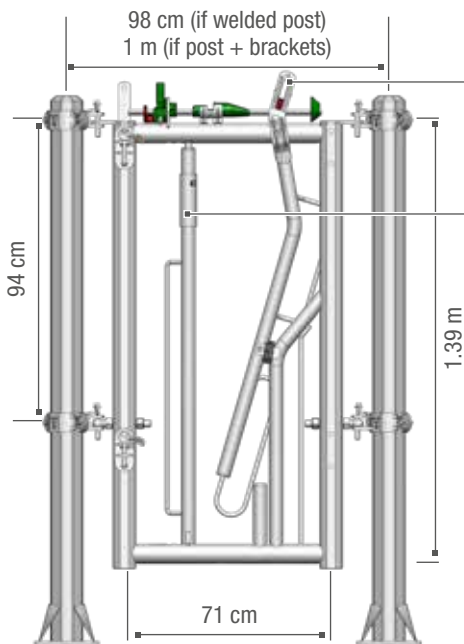




INSEMINATION

EX 5 VET 3 IN 1

YouTube ENTER JOURDAIN



BA5041
Automatic insemination
HEADLOCK

Yoke bar can be demounted
using upper handle

AUTOMATIC INSEMINATION HEADLOCK

REINFORCED AUTOMATIC INSEMINATION HEADLOCK, FITTED WITH A HALF MOON LINKAGE, LOCKING HOUSING AND COMPOSITE STOP. It has easy yoke adjustment and can be demounted using the upper handle if an animal falls. It consists of 2 octagonal tube uprights \varnothing 76 mm. A pair of single brackets are attached to the upright and enable a Caesarean door to be attached. The headlock does not have adjustable ends and it is mounted between 2 octagonal posts \varnothing 102 mm spaced at 1 m from post centre to post centre. It is delivered with a flat rope holder and a rope (length: 4 m).

BA5041 Automatic insemination HEADLOCK 1 m 41 kg **NEW**

BA5041

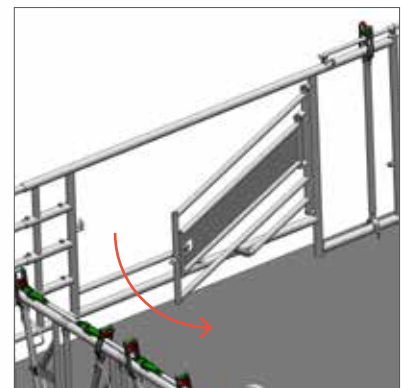
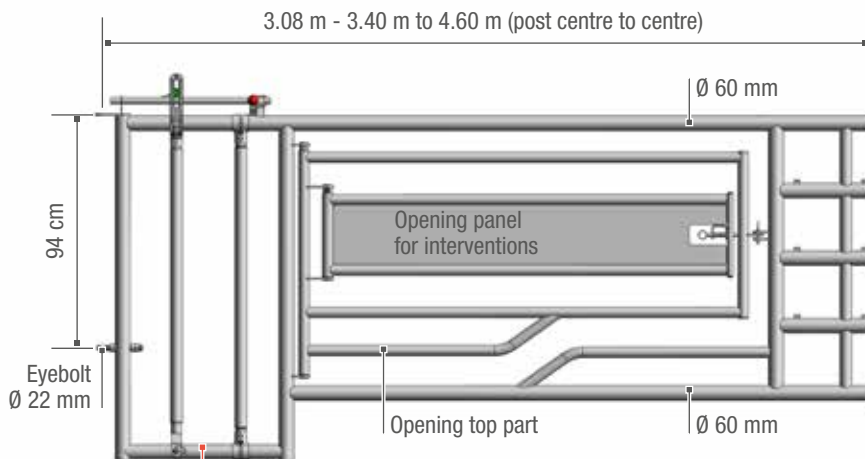
NEW

EX 5 BACK VET 3 IN 1

Partition for infirmary pen, comprising an insemination headlock, a top opening caesarean barrier and an EX 5 back. Front 3.41 to 4.60 m (post centre to centre).

BA5047 EX 5 back VET 3 in 1 85 kg

EX 5 BACK VET 3 IN 1



Integrated insemination HEADLOCK

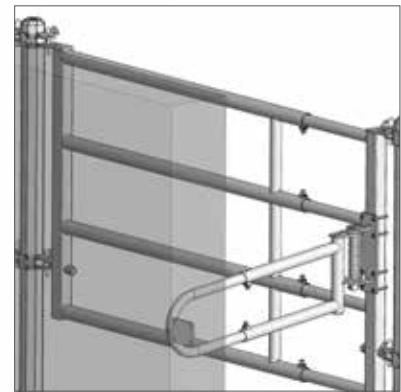
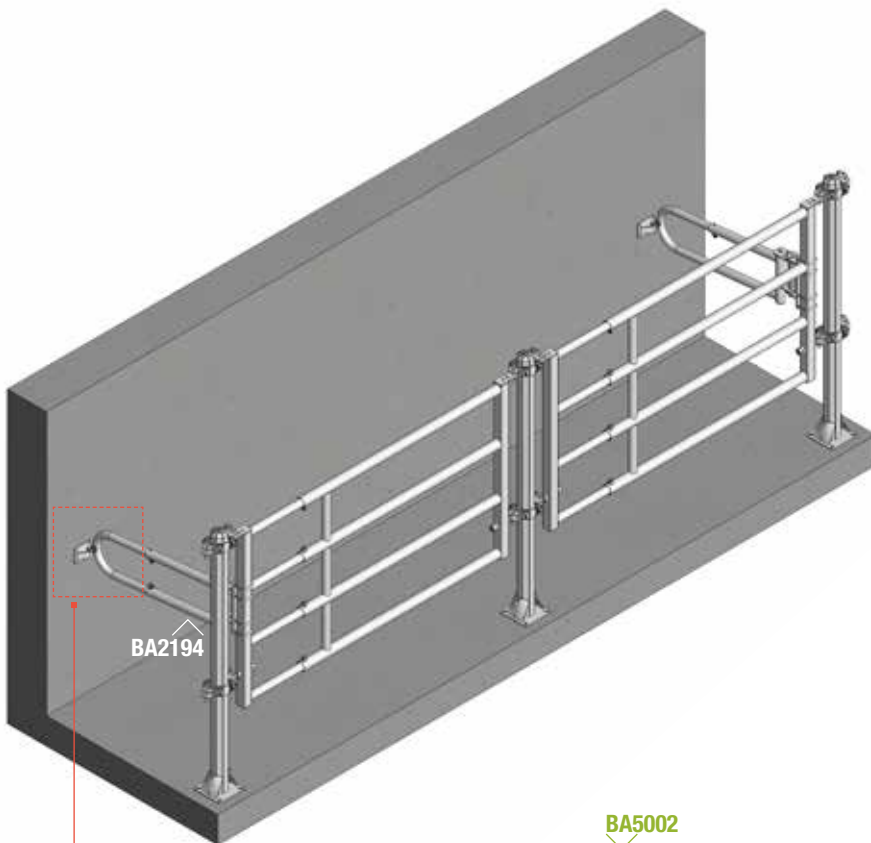
BA5047

NO RETURN FOR DAIRY PASSAGE

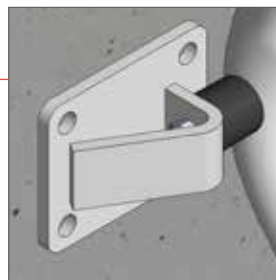


NO RETURN FOR DAIRY PASSAGES

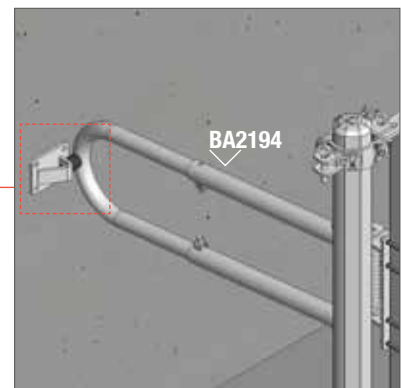
BA2194	No return gate single	(Pack x 6)	14 kg
BA5002	Buffer wall mounted		1.1 kg
SAC138	Round U bolt \varnothing 60 mm (for bar mounting)		0.25 kg
SAC134	Square U bolt \varnothing 60 mm (for mounting on square tube)		0.26 kg



BA5002

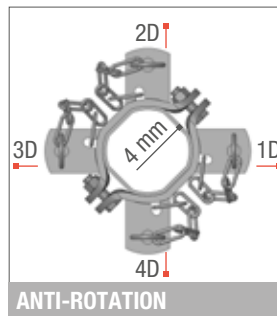
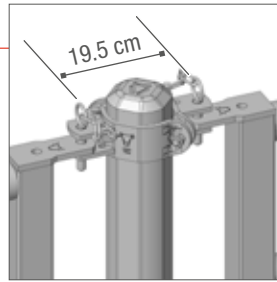
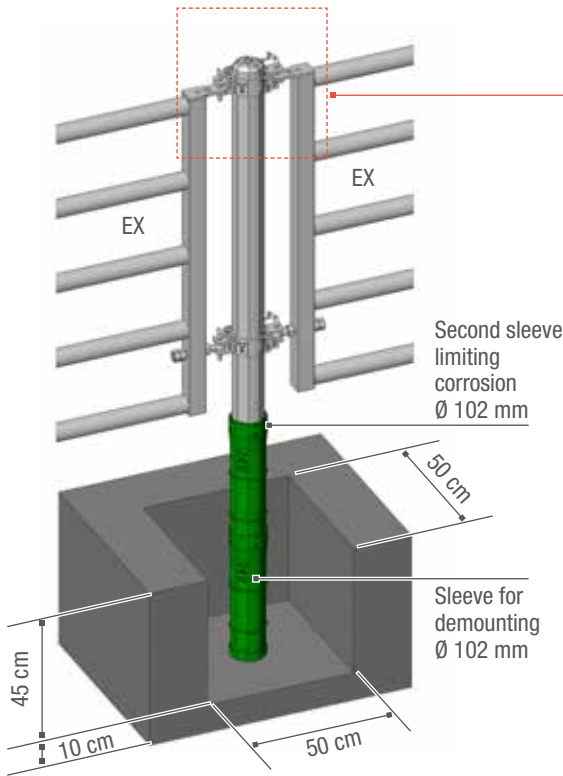
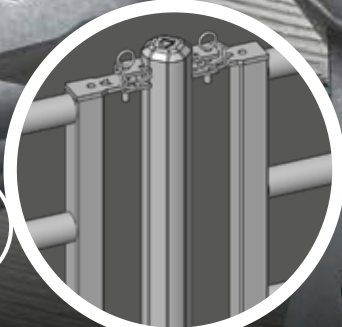


BA2194

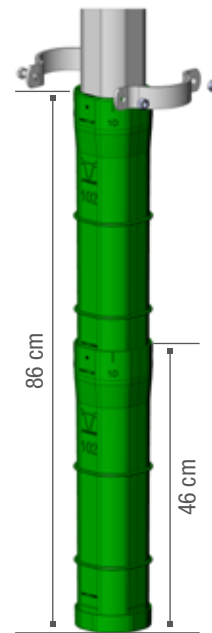


OCTAGONAL POST

Ø 102 MM



! ATTENTION!
Pay attention to the direction when setting in the post. The round part shows the direction.



SV9341
Support bracket
Ø 102 mm
for octagonal sleeve

TR1613
Sleeve lid
Ø 102 mm



PATENTED

TR4100
Demounting sleeve
Ø 102 mm
with collar seal
and base

PATENTED **NEW**

FE2103
Universal bolt support bracket

FE3113
SURLOCK® wall bracket

FE3153
Bracket Ø 102 mm single bolt support SURLOCK®

FE2154
Bracket Ø 102 mm double bolt support AUTOLOCK

FE2150
Bracket single bolt support STANDARD Ø 102 mm

FE2151
Bracket double bolt support Ø 102 mm

TR4001
Bracket OCTAGONAL 1 way Ø 102 mm

TR4002
Bracket OCTAGONAL 2 way Ø 102 mm

TR4003
Bracket OCTAGONAL 3 way Ø 102 mm

TR4004
Bracket OCTAGONAL 4 way Ø 102 mm

TR4005
Bracket OCTAGONAL 2 way L form Ø 102 mm

✓ INSTALLATION ADVICE: Never set in an OCTAGONAL sleeve on its own. Always set it in with the post fitted, paying attention to the direction of the post and its brackets. The sleeve is marked 1D, 2D, 3D, 4D to show the correct direction for setting in. Fit the corrosion limiting sleeves before putting in the post.



OCTAGONAL POST TO BE SET IN

Ø 102 MM x 4 MM

TR1850	Post OCTAGONAL bare L. 1.85 m (for HEADLOCK mounting)	(Pack x 25)	18.3 kg	NEW
TR2130	Post OCTAGONAL bare L. 2.13 m	(Pack x 25)	21 kg	
TR2430	Post OCTAGONAL bare L. 2.43 m	(Pack x 25)	24 kg	
TR2730	Post OCTAGONAL bare L. 2.73 m		27 kg	
TR2131	Post OCTAGONAL 1 way Ø 102 mm (welded)	(Pack x 25)	22 kg	
TR2132	Post OCTAGONAL 2 way Ø 102 mm (welded)	(Pack x 25)	23 kg	
TR2133	Post OCTAGONAL 3 way Ø 102 mm (welded)	(Pack x 25)	24 kg	
TR2134	Post OCTAGONAL 4 way Ø 102 mm (welded)	(Pack x 25)	25 kg	
TR2135	Post OCTAGONAL 2 way L form Ø 102 mm (welded)	(Pack x 25)	23 kg	

OCTAGONAL POST PLATE-MOUNTED

Ø 102 MM x 4 MM

TR1680	Post OCTAGONAL bare on base Ø 102 mm L. 1.68 m + gussets 8 mm	(Pack x 25)	19 kg
TR2139	Post OCTAGONAL bare on base Ø 102 mm L. 2.13 m + gussets 8 mm		23 kg

OCTAGONAL BRACKET Ø 102 MM

FOR OCTAGONAL POST

With reinforced side 60 x 8 mm

TR4001	Bracket OCTAGONAL 1 way Ø 102 mm		2.2 kg
TR4002	Bracket OCTAGONAL 2 way Ø 102 mm		2.7 kg
TR4003	Bracket OCTAGONAL 3 way Ø 102 mm		3.2 kg
TR4004	Bracket OCTAGONAL 4 way Ø 102 mm		3.6 kg
TR4005	Bracket OCTAGONAL 2 way L form Ø 102 mm		2.7 kg

ROUND BRACKET Ø 102 MM

WITH REINFORCED SIDE 60 X 8 MM

FE2150	ROUND bracket Ø 102 mm single bolt support STANDARD		2.2 kg	
FE2151	ROUND bracket Ø 102 mm double bolt support STANDARD		2.4 kg	
FE3153	ROUND bracket Ø 102 mm SURLOCK® single bolt support		2.5 kg	NEW
FE2154	ROUND bracket Ø 102 mm AUTOLOCK double bolt support		3.4 kg	

FITTING

BOLT BRACKET

FE2103	For EX 4 - EX 5 - Field gates - standard adaptable bolt (1 bracket per bolt) (pair)		1,6 kg	
FE3113	SURLOCK® wall bracket (pair)		3 kg	NEW

OCTAGONAL SLEEVE

FOR OCTAGONAL POST Ø 102 MM

In order to make a post demountable: order an OCTAGONAL sleeve Ref. TR4100.

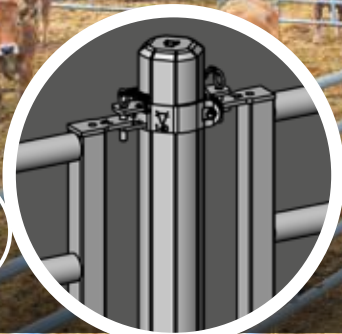
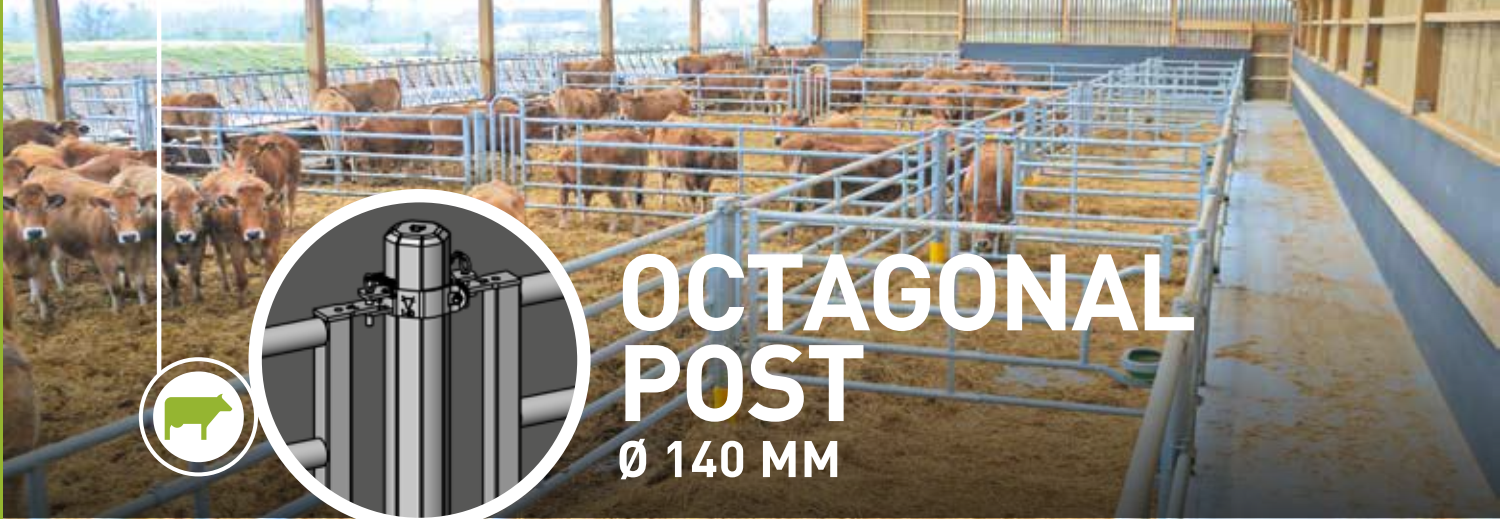
To LIMIT corrosion order a second OCTAGONAL sleeve Ref: TR4100.

TR4100	Demounting sleeve Ø 102 mm with collar seal and base (unit)	(Pack x 34)	0.5 kg	
TR1613	Sleeve lid Ø 102 mm		1 kg	
SV9341	Support bracket Ø 102 mm for OCTAGONAL sleeve		0.7 kg	NEW

BITUMINOUS PAINT

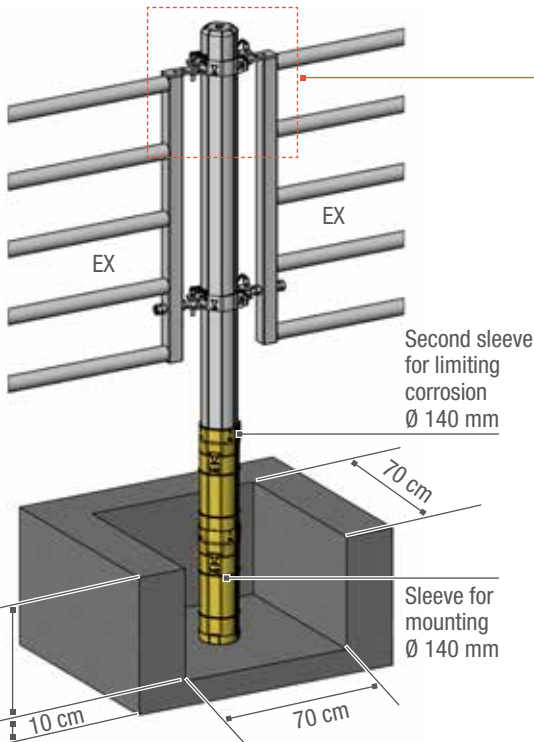
TR0005	Bituminous paint pot 5L (0,5 l / m ²)		5 kg
---------------	---	--	------

! IMPORTANT! In order to prevent corrosion steel in zinc due to prolonged contact with silage, slurry or muck, it is recommended that bituminous paint TR0005 should be applied before use, and periodically thereafter, in order to protect the equipment: post feet, barrier and cubicle bottoms, knee bars, brackets.

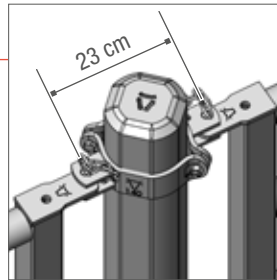


OCTAGONAL POST

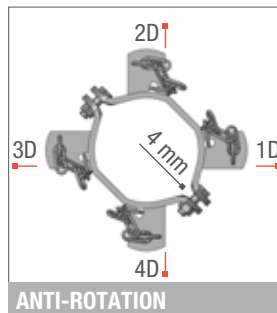
Ø 140 MM



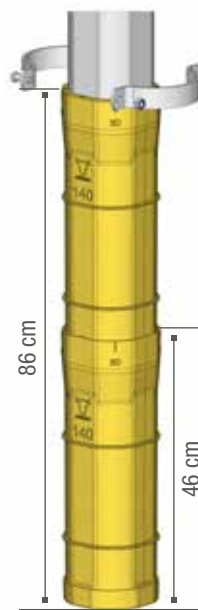
DETAIL FOR SETTING IN AN OCTAGONAL SLEEVE



SV9342
Support bracket
Ø 140 mm for
OCTAGONAL sleeve



TR1615
Sleeve lid
Ø 140 mm



PATENTED

TR4140
Demounting sleeve
Ø 140 mm
with collar seal
and base

! ATTENTION!
Pay attention to the direction when setting in the post. The round part shows the direction.



FE2103
Universal bolt support bracket

PATENTED **NEW**

FE3113
SURLOCK® wall bracket

FE3196
Bracket Ø 140 mm single bolt support SURLOCK®



FE2197
Bracket Ø 140 mm double bolt support AUTOLOCK



FE2190
ROUND bracket Ø 140 mm single bolt support STANDARD



TR2181
Bracket OCTAGONAL 1 way Ø 140 mm



TR2182
Bracket OCTAGONAL 2 way Ø 140 mm



TR2183
Bracket OCTAGONAL 3 way Ø 140 mm



TR2184
Bracket OCTAGONAL 1 way Ø 140 mm



TR2185
Bracket OCTAGONAL 2 way L form Ø 102 mm

INSTALLATION ADVICE: Never set in an OCTAGONAL sleeve on its own. Always set it in with the post fitted, paying attention to the direction of the post and its brackets. The sleeve is marked 1D, 2D, 3D, 4D to show the correct direction for setting in. Fit the corrosion limiting sleeves before putting in the post.



OCTAGONAL POST TO BE SET IN

Ø 140 MM x 4 MM - ANTI-ROTATION

TR2170	Post OCTAGONAL bare L 2.13 m	(Pack x 16)	28 kg
TR2175	Post OCTAGONAL bare L 2.43 m	(Pack x 16)	33 kg

OCTAGONAL BRACKET Ø 140 MM

FOR OCTAGONAL POST Ø 140 MM

With reinforced side 60 x 8 mm

TR2181	Bracket OCTAGONAL 1 way Ø 140 mm	2.5 kg
TR2182	Bracket OCTAGONAL 2 way Ø 140 mm	3 kg
TR2183	Bracket OCTAGONAL 3 way Ø 140 mm	3.5 kg
TR2184	Bracket OCTAGONAL 4 way Ø 140 mm	4 kg
TR2185	Bracket OCTAGONAL 2 way L form Ø 140 mm	3 kg

ROUND BRACKET Ø 140 MM

WITH REINFORCED SIDE 60 X 8 MM

FE2190	ROUND bracket Ø 140 mm single bolt support STANDARD	3.5 kg	
FE3196	ROUND bracket Ø 140 mm SURLOCK® single bolt support	3 kg	NEW
FE2197	ROUND bracket Ø 140 mm AUTOLOCK double bolt support	4 kg	

FITTING

BOLT BRACKET

FE2103	For EX 4 - EX 5 - Field gates - standard adaptable bolt (1 bracket per bolt) (pair)	1.6 kg	
FE3113	SURLOCK® wall bracket (pair)	3 kg	NEW

OCTAGONAL SLEEVE

FOR OCTAGONAL POST Ø 140 MM

In order to make a post demountable: order an OCTAGONAL sleeve Ref. TR4100.

To LIMIT corrosion order a second OCTAGONAL sleeve Ref: TR4100.

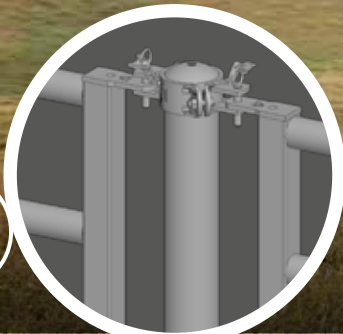
TR4140	Demounting sleeve Ø 140 mm with collar seal and base	(Pack x 20)	0.7 kg
TR1615	Sleeve lid Ø 140 mm		2 kg
SV9342	Support bracket Ø 140 mm for OCTAGONAL sleeve		0.9 kg

BITUMINOUS PAINT

TR0005	Bituminous paint pot 5L (0,5 l / m ²)	5 kg
---------------	---	------

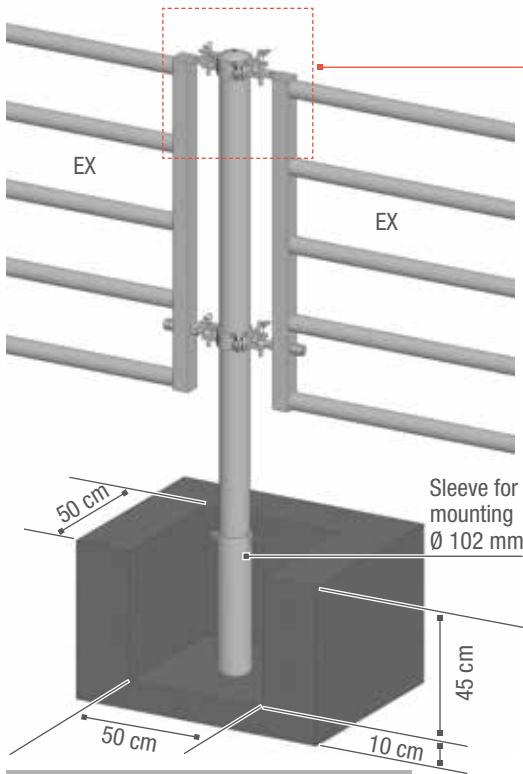


! **IMPORTANT!** In order to prevent corrosion steel in zinc due to prolonged contact with silage, slurry or muck, it is recommended that bituminous paint TR0005 should be applied before use, and periodically thereafter, in order to protect the equipment: post feet, barrier and cubicle bottoms, knee bars, brackets.

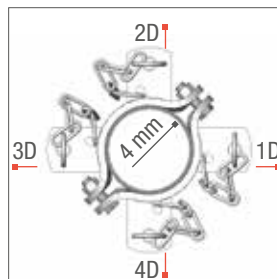
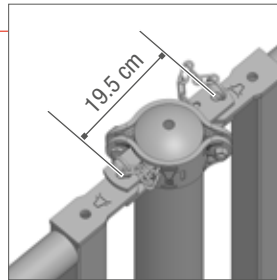


ROUND POST

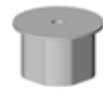
Ø 102 MM



DETAIL FOR SETTING IN A ROUND SLEEVE



TR1613
Sleeve lid
Ø 102 mm



FE1603
Sleeve
for ROUND post
Ø 102 mm



FE2103
Universal
bolt support
bracket



FE3113
SURLOCK®
wall bracket

FE3153
Bracket Ø 102 mm
single bolt support
SURLOCK®



FE2154
Bracket Ø 102 mm
double bolt support
AUTOLOCK



FE2112
Counter Plate



FE2150
Bracket Ø 102 mm
single bolt support
STANDARD



FE2151
Bracket Ø 102 mm
double bolt support
STANDARD



FE2155
ROUND bracket
1 way
Ø 102 mm



FE2156
ROUND bracket
2 way
Ø 102 mm



FE2157
ROUND bracket
3 way
Ø 102 mm



FE2158
ROUND bracket
4 way
Ø 102 mm



FE2159
ROUND bracket
2 way L form
Ø 102 mm

INSTALLATION ADVICE: Never set in an OCTAGONAL sleeve on its own. Always set it in with the post fitted, paying attention to the direction of the post and its brackets.

ROUND POST TO BE SET IN

Ø 102 MM x 4 MM

FE2120	Post ROUND bare STANDARD L. 2.13 m	21 kg
FE2180	Post reduced diameter end bare L. 2.13 m	21 kg

ROUND BRACKET Ø 102 MM

FOR ROUND POST

With reinforced side 60 x 8 mm

FE2155	ROUND bracket 1 way Ø 102 mm	2.2 kg	
FE2156	ROUND bracket 2 way Ø 102 mm	2.7 kg	
FE2157	ROUND bracket 3 way Ø 102 mm	3.2 kg	
FE2158	ROUND bracket 4 way Ø 102 mm	3.6 kg	
FE2159	ROUND bracket 2 way L form Ø 102 mm	2.7 kg	
FE2150	ROUND bracket Ø 102 mm single bolt support STANDARD	2.2 kg	
FE2151	ROUND bracket Ø 102 mm double bolt support STANDARD	2.4 kg	
FE3153	ROUND bracket Ø 102 mm SURLOCK® single bolt support	2.5 kg	NEW
FE2154	ROUND bracket Ø 102 mm AUTOLOCK double bolt support	3.4 kg	

FITTING

BOLT BRACKET

FE2103	For EX 4 - EX 5 - Field gates - standard adaptable bolt (1 bracket per bolt) (pair)	1.6 kg	
FE3113	SURLOCK® wall bracket (pair)	3 kg	NEW

ROUND SLEEVE

FOR ROUND POST Ø 102 MM

Sleeve for demounting with anti-rotation notch

FE1603	Sleeve for ROUND post Ø 102 mm (unit)	5 kg
TR1613	Sleeve lid Ø 102 mm	1 kg

BITUMINOUS PAINT

TR0005	Bituminous paint pot 5L (0,5 l / m ²)	5 kg
---------------	---	------

COUNTER PLATE ONLY

FE2112	Counter Plate only (200 x 200 x 8 mm)	2.3 kg
---------------	---------------------------------------	--------

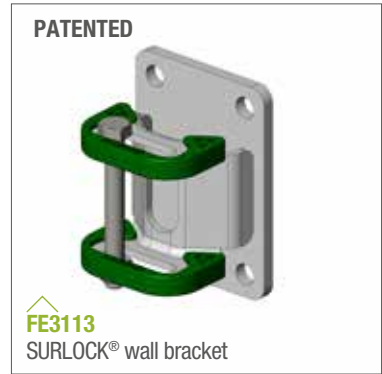
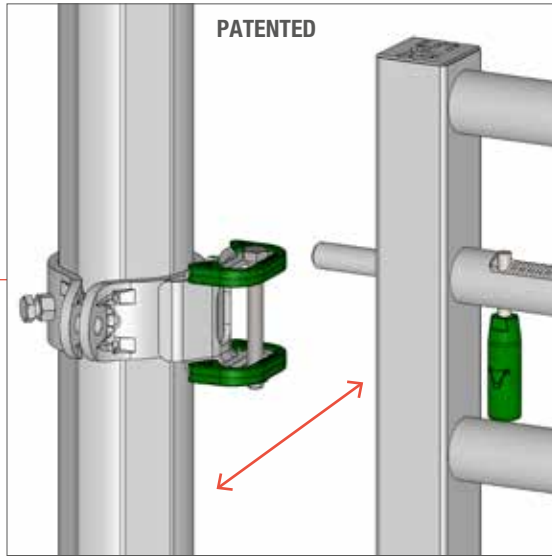
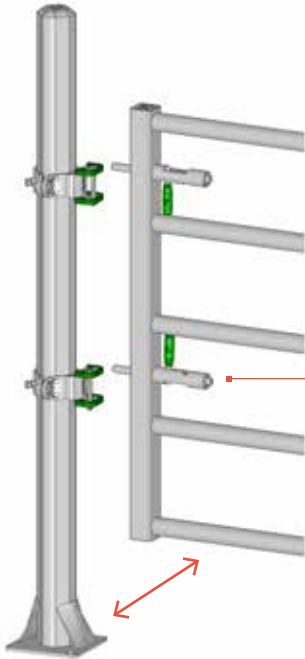
! **IMPORTANT!** In order to prevent corrosion steel in zinc due to prolonged contact with silage, slurry or muck, it is recommended that bituminous paint TR0005 should be applied before use, and periodically thereafter, in order to protect the equipment: post feet, barrier and cubicle bottoms, knee bars, brackets...



SURLOCK®

Ø 102 MM AND Ø 140 MM

YouTube ENTER JOURDAIN



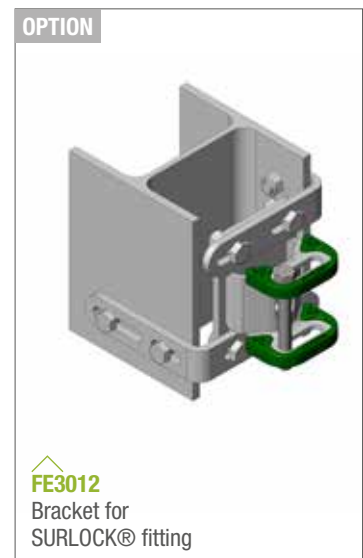
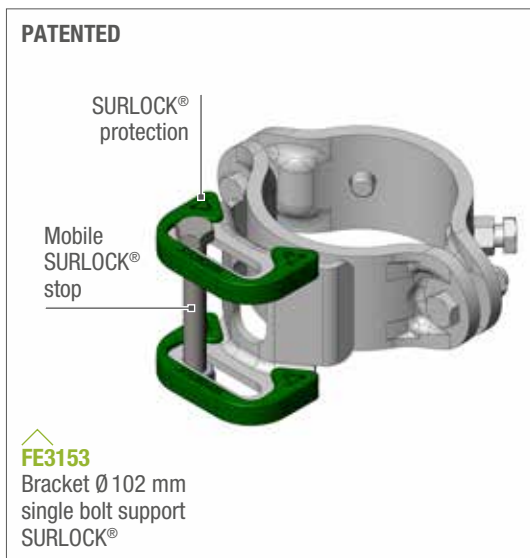
SURLOCK®

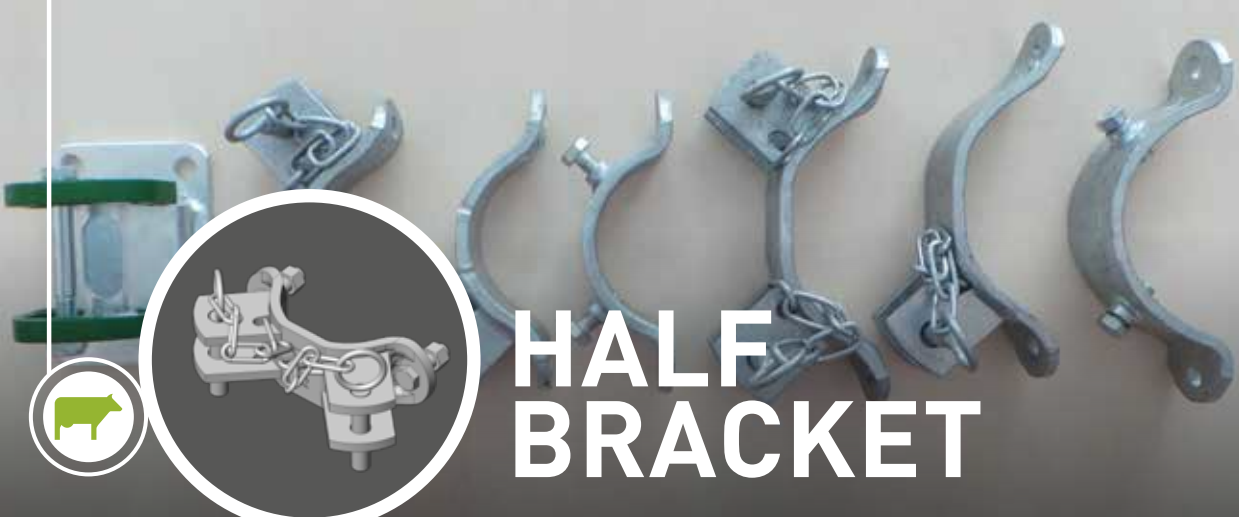


THE SURLOCK® BRACKET COMBINED WITH AN AUTOLOCK GATE FRONT ENSURES THAT THE GATE WILL BE BOLTED WHEN IT IS SLAMMED SHUT. The SURLOCK® works for both left and right-hand opening thanks to the movable SURLOCK® catch. Our clients now find the SURLOCK® indispensable as a safety device. SURLOCK® is patented.



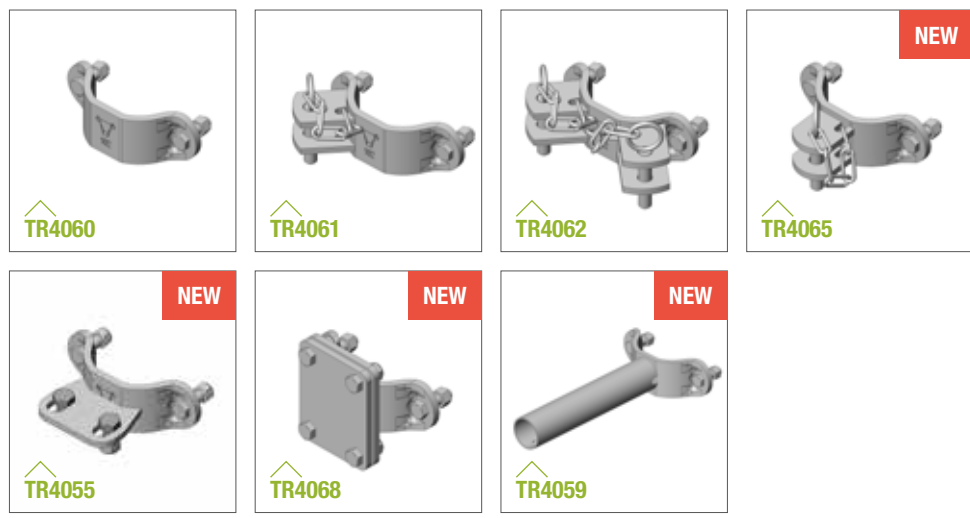
FE3153	Bracket Ø 102 mm single bolt support SURLOCK®		2,5 kg
FE3196	Bracket Ø 140 mm single bolt support SURLOCK®		3 kg
FE3113	SURLOCK® wall bracket	(pair)	3 kg
OPTION			
FE3012	Bracket for SURLOCK® fitting	(pair)	1.2 kg





HALF BRACKET

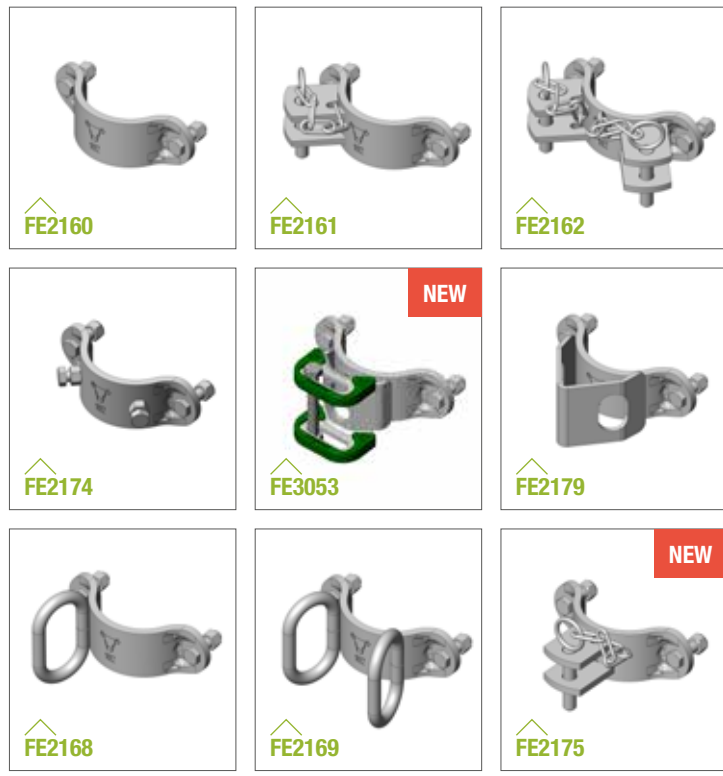
HALF BRACKET OCTAGONAL Ø 102 MM



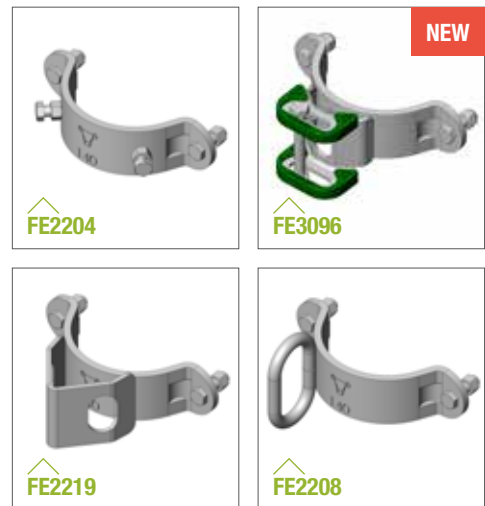
HALF BRACKET OCTAGONAL Ø 140 MM



HALF BRACKET ROUND Ø 102 MM



HALF BRACKET ROUND Ø 140 MM



INDIVIDUAL FITTING



HALF BRACKET

THE BRACKETS ARE MADE FROM 60 X 8 MM FLAT STEEL WITH A REINFORCING BUMP. Delivered with SAC122.

HALF BRACKET

OCTAGONAL Ø 102 MM

TR4060	Half bracket OCTAGONAL bare Ø 102 mm	(Pack x 40)	0.85 kg	
TR4061	Half bracket OCTAGONAL 1 way Ø 102 mm	(Pack x 20)	1.35 kg	
TR4062	Half bracket OCTAGONAL 2 way Ø 102 mm	(Pack x 20)	1.8 kg	
TR4065	Half bracket OCTAGONAL 1 way centered Ø 102 mm		1.35 kg	NEW
TR4055	Half octobrace Ø 102 mm for headlock top fixing (for headlocks of up to 4 m)		1.4 kg	NEW
TR4068	Half bracket OCTAGONAL Ø 102 mm (strap tightening)		2.7 kg	NEW
TR4059	Headlock end part with half bracket welded Ø 102 mm (for headlocks of up to 4 m)		1.8 kg	NEW

HALF BRACKET

OCTAGONAL Ø 140 MM

TR4070	Half bracket OCTAGONAL bare Ø 140 mm	(Pack x 20)	1 kg	
TR4071	Half bracket OCTAGONAL 1 way Ø 140 mm	(Pack x 20)	1.5 kg	
TR4072	Half bracket OCTAGONAL 2 way Ø 140 mm	(Pack x 16)	2 kg	

HALF BRACKET

ROUND Ø 102 MM

FE2160	Half ROUND bracket bare Ø 102 mm	(Pack x 40)	0.85 kg	
FE2161	Half ROUND bracket 1 way Ø 102 mm	(Pack x 20)	1.4 kg	
FE2162	Half ROUND bracket 2 way Ø 102 mm	(Pack x 20)	1.8 kg	
FE2174	Half ROUND bracket plain Ø 102 mm anti-rotation (2 fixing screws)	(Pack x 20)	1.2 kg	
FE3053	Half ROUND bracket single bolt support SURLOCK® Ø 102 mm	(Pack x 20)	1.6 kg	NEW
FE2179	Half ROUND bracket double bolt support AUTOLOCK Ø 102 mm		2.55 kg	
FE2168	Half ROUND bracket single bolt support STANDARD Ø 102 mm	(Pack x 28)	1.35 kg	
FE2169	Half ROUND bracket double bolt support STANDARD Ø 102 mm	(Pack x 14)	1.55 kg	
FE2175	Half ROUND bracket 1D centered Ø 102 mm		1.35 kg	NEW

HALF BRACKET

ROUND Ø 140 MM

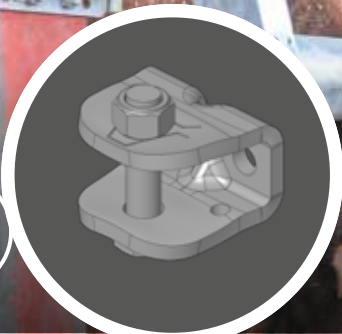
FE2204	Half ROUND bracket plain Ø 140 mm anti-rotation (2 fixing screws)	(Pack x 20)	1.35 kg	
FE3096	Half ROUND bracket single bolt support SURLOCK® Ø 140 mm		1.8 kg	NEW
FE2219	Half ROUND bracket double bolt support AUTOLOCK Ø 140 mm		3 kg	
FE2208	Half ROUND bracket single bolt support STANDARD Ø 140 mm		2.5 kg	

FITTING

BOLT BRACKET

FE3013	SURLOCK® wall bracket (unit)	(Pack x 20)	1.5 kg	NEW
FE2003	Bolt support universal (unit)	(Pack x 40)	0.8 kg	

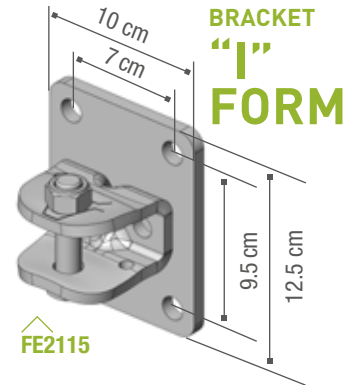
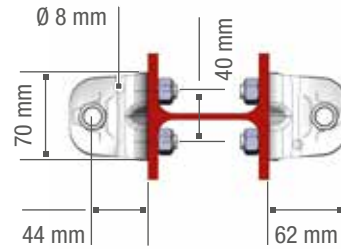
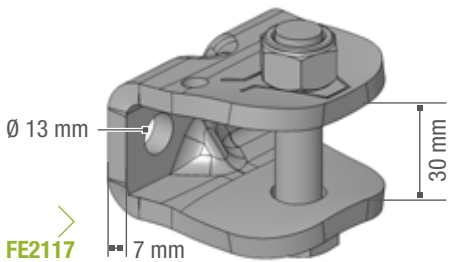




BRACKET (PER PAIR)

MULTIFIX BRACKET

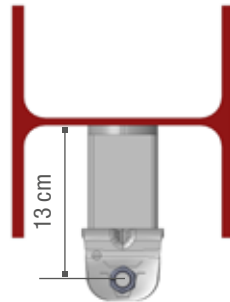
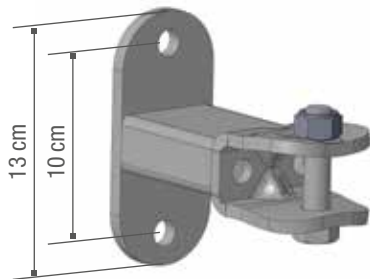
FE2117



FE2115

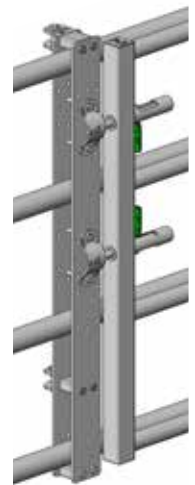
EXTENDED MULTIFIX BRACKET

FE2114



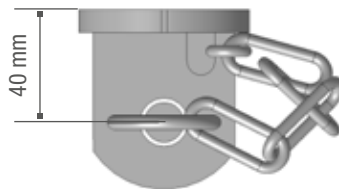
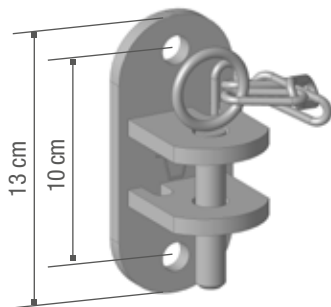
TRIO FITTING

FE2010



SINGLE BRACKET

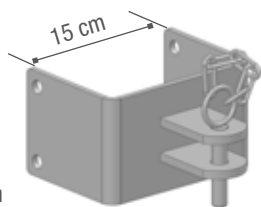
FE2102



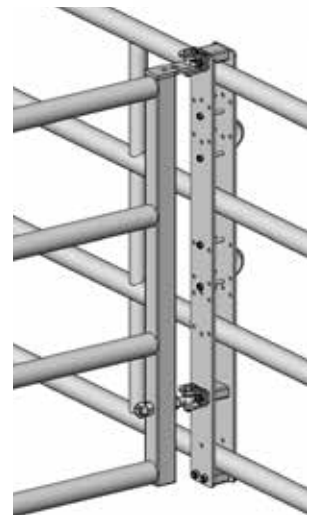
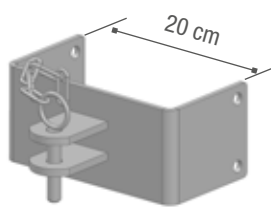
WALL END BRACKET

FE2107

For wall
150 mm



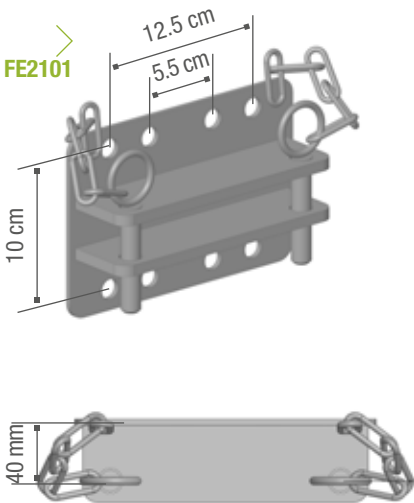
FE2108
For wall
200 mm



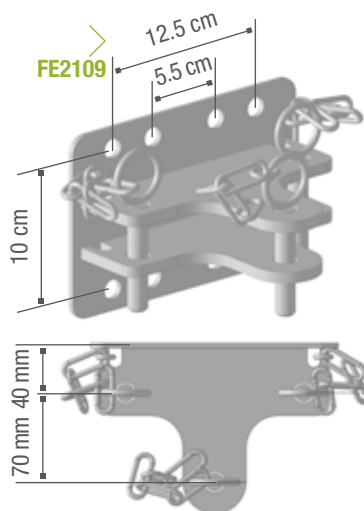
BRACKET (IN PAIR)

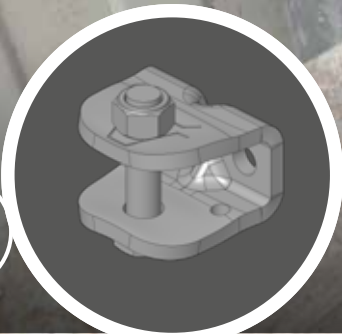
MULTIFIX BRACKET			
FE2117	MULTIFIX bracket with bolt Delivered with 1 bolt Ø 14 mm + nylon nut	(pair)	1.2 kg
FE2099	Short chain with carabiner	(pair)	0.32 kg
MULTIFIX EXTENDED BRACKET			
FE2114	Multifix extended H bracket	(pair)	2.8 kg
SINGLE BRACKET			
FE2102	Single bracket (for partition)	(pair)	2 kg
FE2115	Reinforced bracket "I" form	(pair)	2.7 kg
WALL END BRACKET			
FE2107	For wall of 15 cm	(pair)	8 kg
FE2108	For wall of 20 cm	(pair)	9 kg
DOUBLE BRACKET			
FE2101	Double bracket (for facades)	(pair)	4.4 kg
TRIPLE BRACKET			
FE2109	Triple bracket	(pair)	6 kg
TRIO FITTING			
FE2010	Trio fitting		18.5 kg
OV9935	ROUND bracket Ø 76 mm (for locking 2 gates AUTOLOCK)		1.1 kg

DOUBLE BRACKET



TRIPLE BRACKET





BRACKET (UNIT)

BRACKET (UNIT)

FE2017	MULTIFIX bracket with bolt	(Pack x 60)	0.6 kg
FE2014	Bracket extended MULTIFIX		1.4 kg
FE2002	Single bracket	(Pack x 40)	1 kg
FE2007	Bracket wall end 15 cm		4 kg
FE2008	Bracket wall end 20 cm		4.5 kg
FE2015	Reinforced bracket "I" form		1.35 kg
FE2001	Double bracket		2.2 kg
FE2009	Triple bracket		3 kg
FE2098	Short chain with carabiner		0.16 kg



FE2017



FE2014



FE2002



FE2015



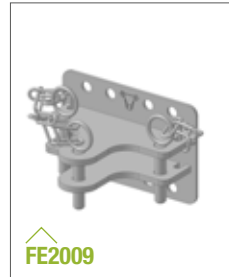
FE2007



FE2008



FE2001



FE2009

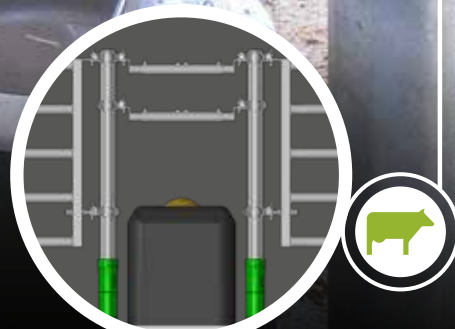


FE2098



DRINKER ASSEMBLY

BALL DRINKER OR PIPE MOUNTED DRINKER



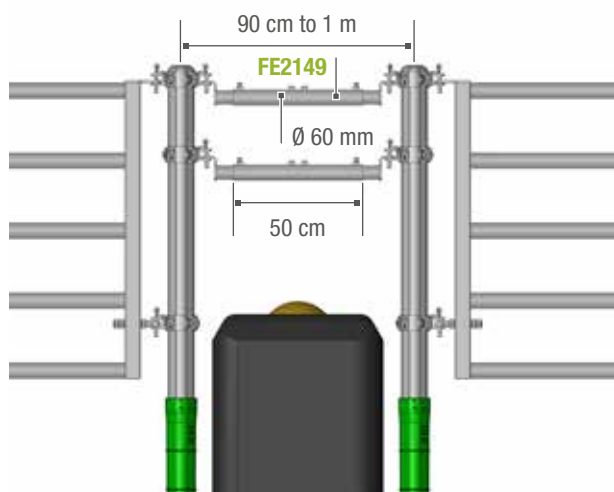
THE GAP IS MADE UP OF TWO Ø 102 MM POSTS TO BE SET IN WITH A UNIVERSAL SLEEVE BAR BETWEEN THE POST TOPS, made using 2 tubes Ø 60 mm with a standard end at either end.

Example for mounting with Ø 102 mm:

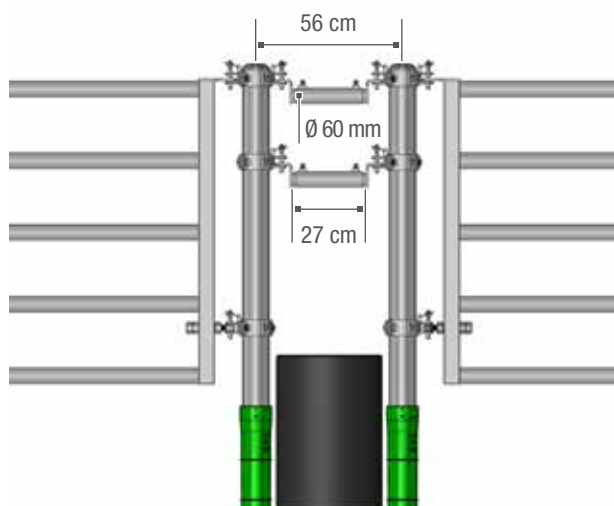
- 2 universal blocking bars,
- 2 OCTAGONAL posts Ø 102 mm to be set in,
- 4 OCTAGONAL brackets Ø 102 mm 1 way,
- 2 OCTAGONAL brackets Ø 102 mm 2 way,
- 4 standard supports.

FE2149 Universal blocking bars (remember to order 2 struts per bar)

2.3 kg



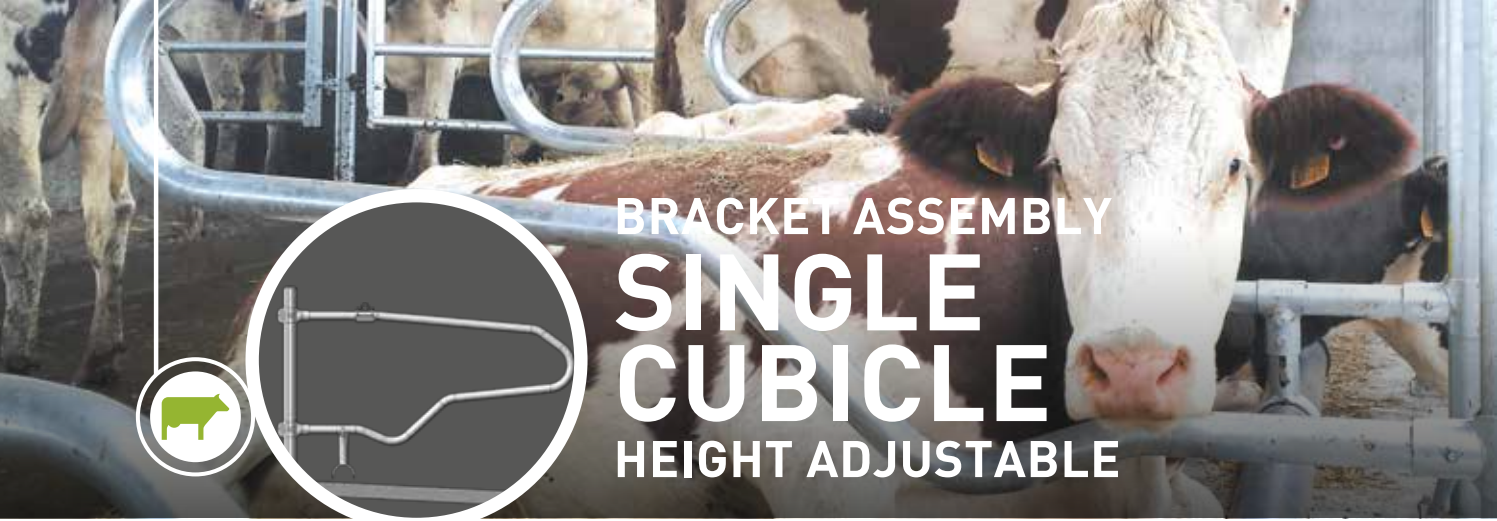
BALL DRINKER ASSEMBLY



PIPE MOUNTED DRINKER



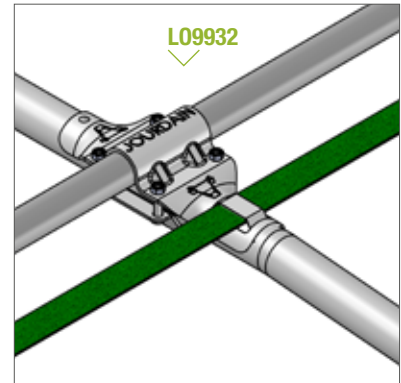
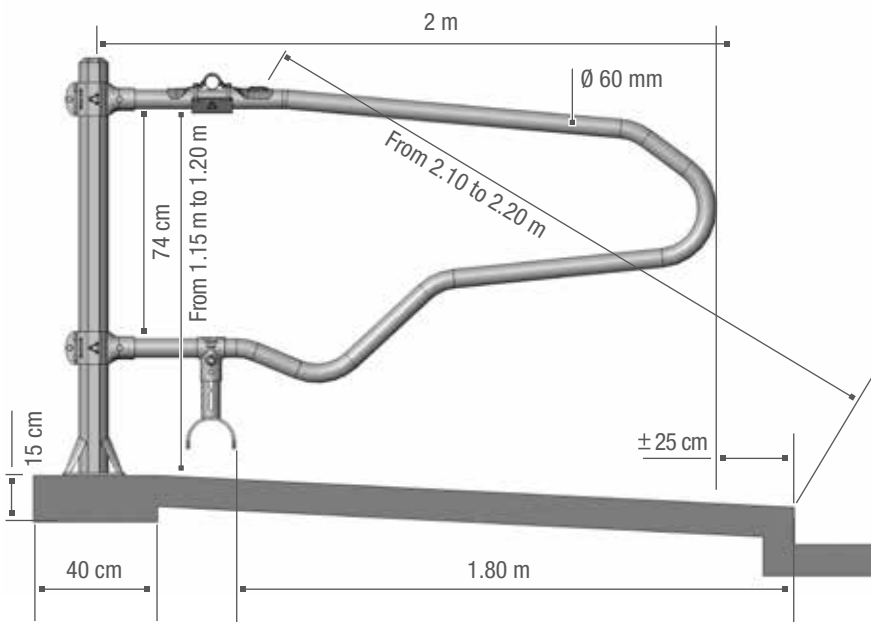
The universal blocking bar has been made to suit a ball drinker. It needs to be shortened in order to fit a pipe mounted drinker.



BRACKET ASSEMBLY
SINGLE CUBICLE
 HEIGHT ADJUSTABLE

CUBICLE

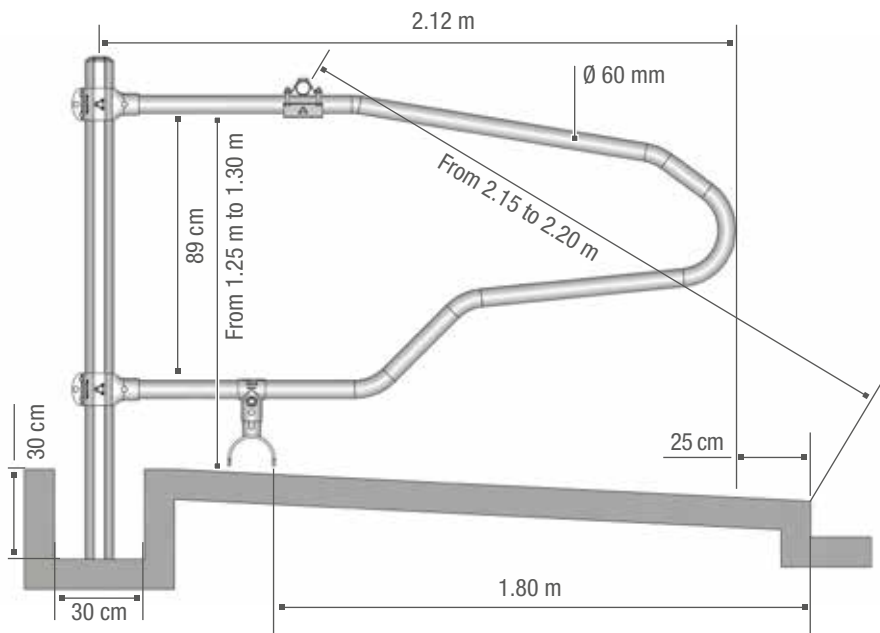
EURO 1.95 M SINGLE CUBICLE BRACKET PLATE-MOUNTED



For cubicles of 1.15 m and 1.20 m from centre to centre. The dimensions are given as an indication. Please adapt them to suit your stock and the lying area.

CUBICLE

TEXANE 2.08 M SINGLE CUBICLE BRACKET TO BE SET IN



L03156
 SINGLE CUBICLE BRACKET
 OCTAGONAL BLS (PAIR)

BLS CUBICLE ASSEMBLY

(SINGLE CUBICLE BRACKET)

1 CUBICLE - 2 BLS BRACKETS THICKNESS 6 MM - 1 OCTAGONAL POST 102 MM

Economic version that only provides height adjustment of the partition. Available in three versions: EURO, TEXANE, US.

CUBICLE LOOP

CUBICLE LOOP EURO		
L03100	Cubicle loop EURO Milking bare L. 1.95 m	19 kg
L03108	Cubicle loop EURO Milking bare L. 2.08 m	20 kg
L03115	Cubicle loop EURO Milking bare L. 2.15 m	21 kg
L03125	Cubicle loop EURO Milking bare L. 2.25 m	22 kg NEW
CUBICLE LOOP TEXANE		
L03103	Cubicle loop TEXANE bare L. 2.08 m	20 kg
L03117	Cubicle loop TEXANE bare L. 2.15 m	21 kg
CUBICLE LOOP US		
L03170	Cubicle loop US cow bare L. 1.95 m	19 kg

BLS BRACKET

Allow one post and a pair of BLS brackets per loop.

L03156 Single cubicle brackets OCTAGONAL BLS (pair) 5,2 kg

CUBICLE POST

TR3189	Cubicle post OCTAGONAL to be set in L. 1.66 m	14 kg
TR3190	Cubicle post OCTAGONAL on base L. 1.32 m	15 kg
TR3180	Cubicle post OCTAGONAL on base L. 1.66 m	16 kg

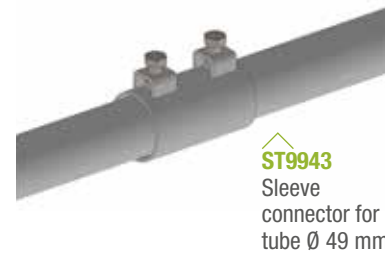
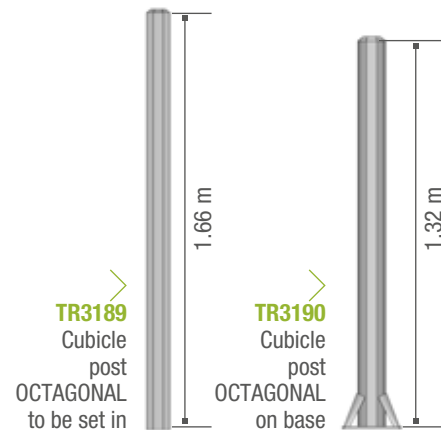
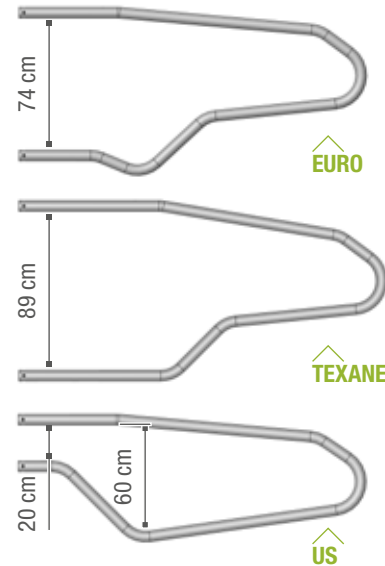
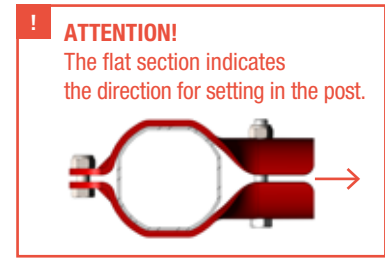
NECK BAR

L09936	Bracket robust 60/49 mm thickness 4 mm	1.7 kg
TU9756	Tube Ø 49 mm GALVA L.6 m	20 kg
ST9943	Sleeve connector for tube Ø 49 mm	0.5 kg
L09941	Bracket neck bar support Ø 49 mm (unit)	0.6 kg
L09932	Bracket strap 60-49 - thickness 5 mm	2.6 kg

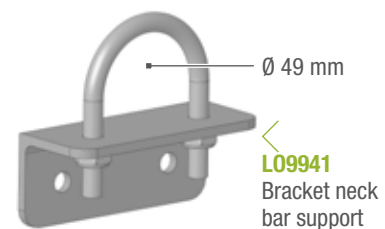
BRACKET FOR PVC TUBE Ø 125 MM

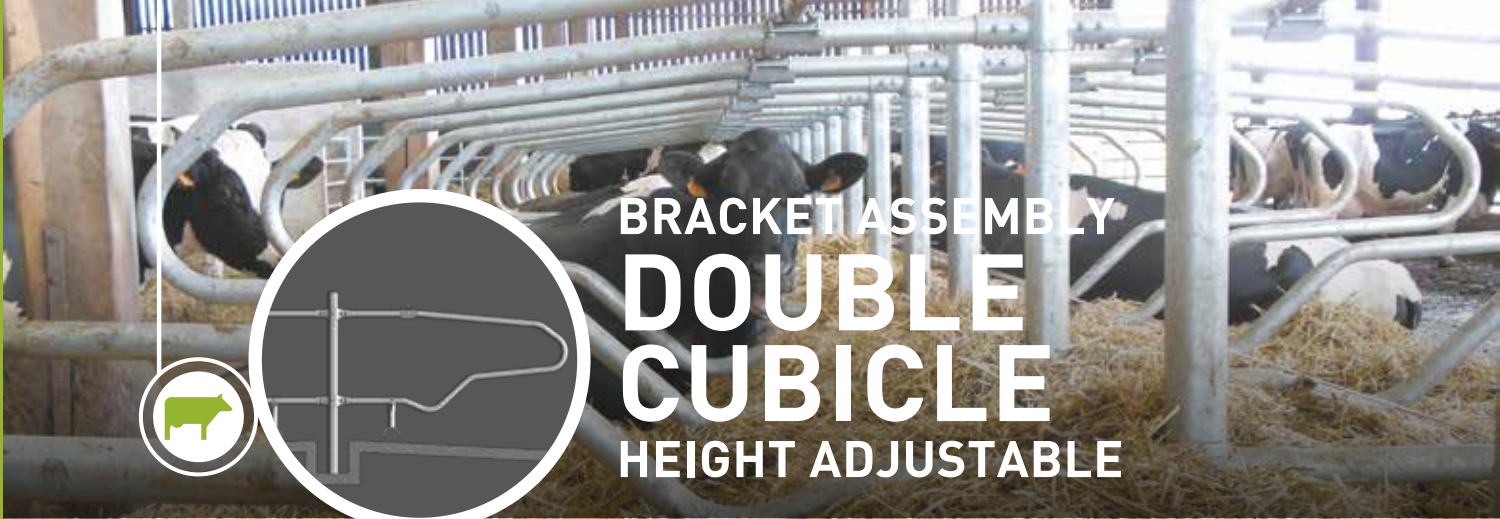
Bracket for high pressure PVC tube Ø 125 mm (not supplied). It is adaptable for all models except US and Kondor. It can be adjusted to suit the length and the height of the lying area. Allow one bracket for 2 cubicles.

L03169 Bracket for PVC tube Ø 125 mm 3 kg



ATTENTION!
It is recommended that a coat of bituminous paint TR0005 is applied before use, and then periodically thereafter in order to protect the bases of the posts and the cubicles.



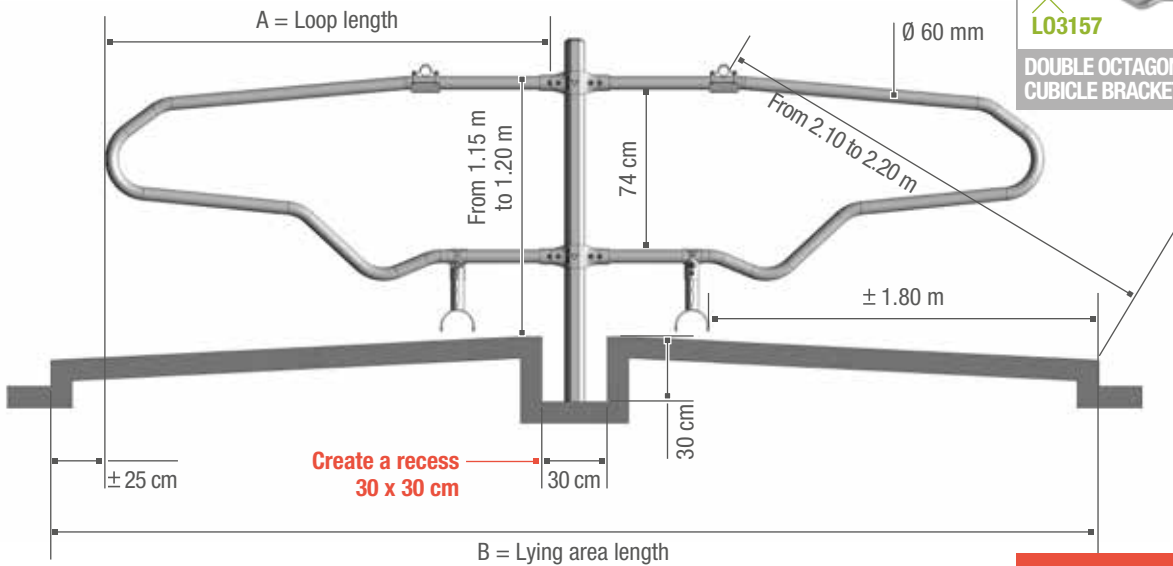


BRACKET ASSEMBLY DOUBLE CUBICLE HEIGHT ADJUSTABLE

LOGETTE

EURO 1.95 M DOUBLE CUBICLE BRACKET TO BE SET IN

A =	1.95 m	2.08 m	2.15 m	2.25 m
B =	4.60 m	4.86 m	5 m	5.18 m

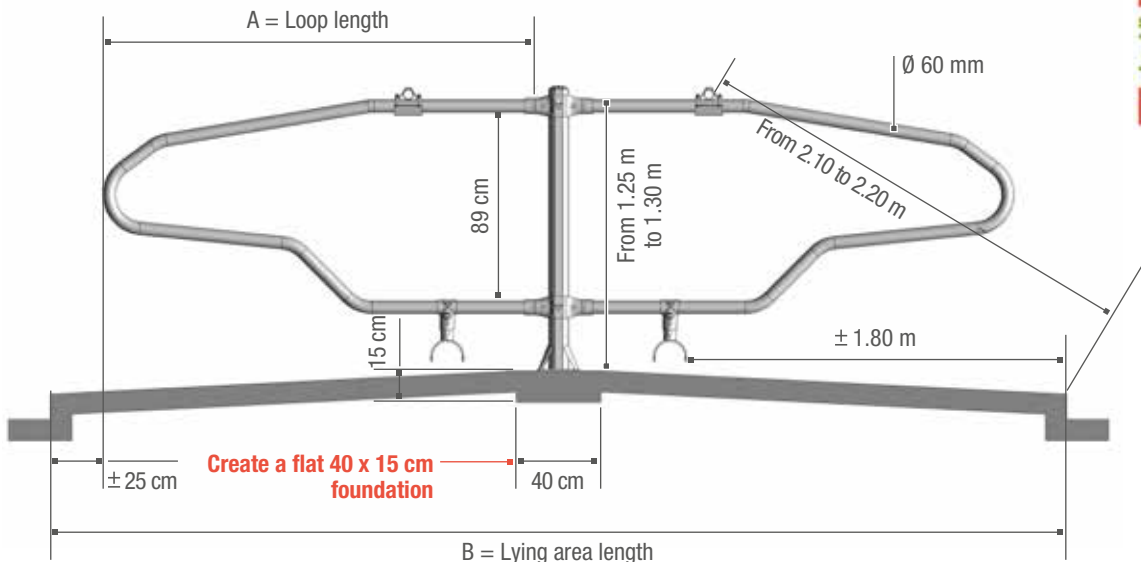


For cubicles of 1.15 m and 1.20 m from centre to centre. The dimensions are given as an indication. Please adapt them to suit your stock and the lying area.

LOGETTE

TEXANE 2.08 M DOUBLE CUBICLE BRACKET PLATE-MOUNTED

A =	2.08 m	2.15 m
B =	4.86 m	5 m



BLD CUBICLE ASSEMBLY

(DOUBLE CUBICLE BRACKET)

2 CUBICLES OPPOSITE EACH OTHER - 2 BLD BRACKETS THICKNESS 6 MM - 1 OCTAGONAL POST Ø 102 MM. Economic version that only provides height adjustment of the partition.
Available in three versions: EURO, TEXANE, US.

CUBICLE LOOP

CUBICLE LOOP EURO			
L03100	Cubicle loop EURO Milking bare L. 1.95 m	19 kg	
L03108	Cubicle loop EURO Milking bare L. 2.08 m	20 kg	
L03115	Cubicle loop EURO Milking bare L. 2.15 m	21 kg	
L03125	Cubicle loop EURO Milking bare L. 2.25 m	22 kg	NEW
CUBICLE LOOP TEXANE			
L03103	Cubicle loop TEXANE bare L. 2.08 m	20 kg	
L03117	Cubicle loop TEXANE bare L. 2.15 m	21 kg	
CUBICLE LOOP US			
L03170	Cubicle loop US cow bare L. 1.95 m	19 kg	

BLD BRACKET

Allow one post and a pair of BLD brackets for 2 loops.

L03157	Double cubicle bracket octagonal BLD for fixing on OCTAGONAL post Ø 102 mm (pair)	7.2 kg
---------------	---	--------

CUBICLE POST

TR3189	Cubicle post OCTAGONAL to be set in L. 1.66 m	14 kg
TR3190	Cubicle post OCTAGONAL on base L. 1.32 m	15 kg
TR3180	Cubicle post OCTAGONAL on base L. 1.66 m	16 kg

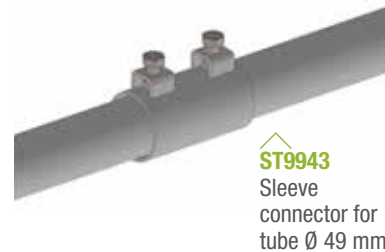
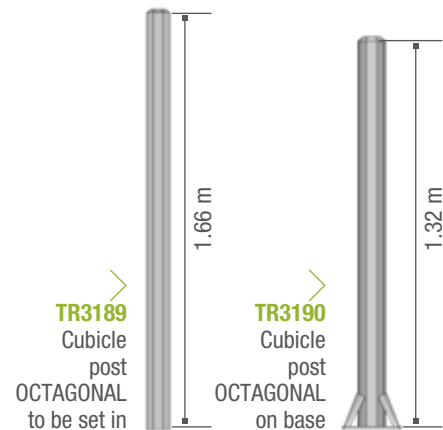
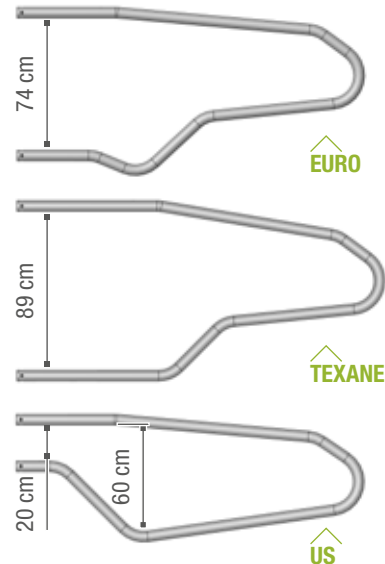
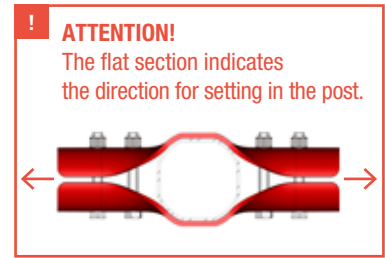
NECK BAR

L09936	Bracket robust 60/49 mm thickness 4 mm	1.7 kg
TU9756	Tube Ø 49 mm GALVA L.6 m	20 kg
ST9943	Sleeve connector for tube Ø 49 mm	0.5 kg
L09941	Bracket neck bar support Ø 49 mm (unit)	0.6 kg
L09932	Bracket strap 60-49 - thickness 5 mm	2.6 kg

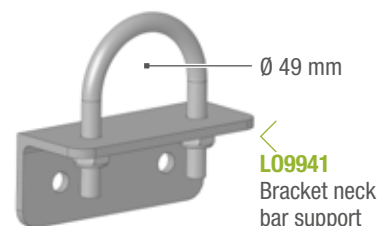
BRACKET FOR PVC TUBE Ø 125 MM

Bracket for high pressure PVC tube Ø 125 mm (not supplied). It is adaptable for all models except US and Kondor. It can be adjusted to suit the length and the height of the lying area. Allow one bracket for 2 cubicles.

L03169	Bracket for PVC tube Ø 125 mm	3 kg
---------------	-------------------------------	------

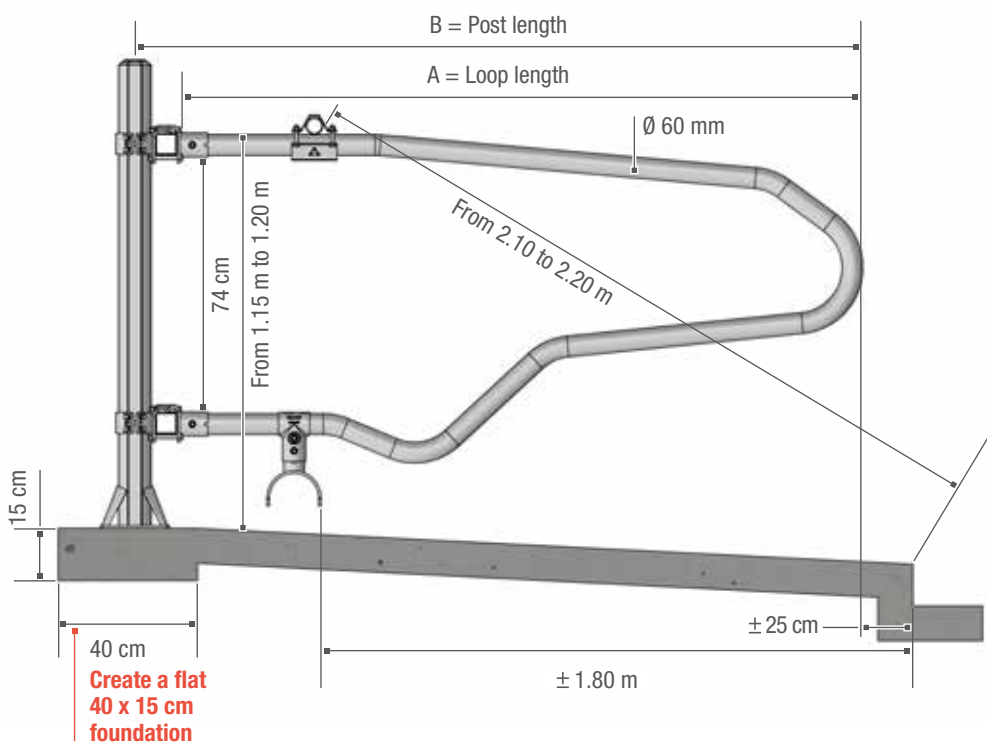
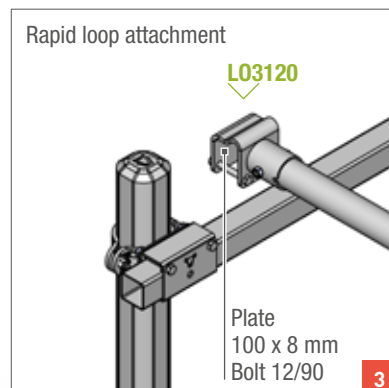
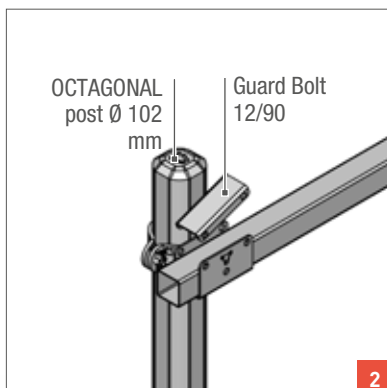
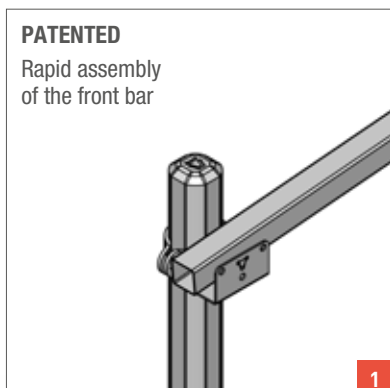


! ATTENTION!
It is recommended that a coat of bituminous paint TR0005 is applied before use, and then periodically thereafter in order to protect the bases of the posts and the cubicles.





CLICK ASSEMBLY SINGLE HEIGHT AND WIDTH ADJUSTABLE



For cubicles of 1.15 m and 1.20 m from centre to centre. The dimensions are given as an indication. Please adapt them to suit your stock and the lying area.

A =	1.95 m	2.08 m	2.15 m	2.25 m
B =	2.08 m	2.21 m	2.28 m	2.31 m



OCTAGONAL CLICK ASSEMBLY CUBICLE

Cubicle Ø 60 mm height and width adjustable.

CUBICLE LOOP

CUBICLE LOOP EURO			
L03100	Cubicle loop EURO Milking bare L. 1.95 m	19 kg	
L03108	Cubicle loop EURO Milking bare L. 2.08 m	20 kg	
L03115	Cubicle loop EURO Milking bare L. 2.15 m	21 kg	
L03125	Cubicle loop EURO Milking bare L. 2.25 m	22 kg	NEW
CUBICLE LOOP TEXANE			
L03103	Cubicle loop TEXANE bare L. 2.08 m	20 kg	
L03117	Cubicle loop TEXANE bare L. 2.15 m	21 kg	
CUBICLE LOOP US			
L03170	Cubicle loop US cow bare L. 1.95 m	19 kg	

CLICK END

Allow one pair of CLICK ends per loop.

L03120	Pair of CLICK type ends Ø 70 mm	4.8 kg
--------	---------------------------------	--------

CUBICLE

POST

TR3189	Cubicle post OCTAGONAL to be set in L.1.66 m	14 kg
TR3190	Cubicle post OCTAGONAL on base L.1.32 m	15 kg
TR3180	Cubicle post OCTAGONAL on base L.1.66 m	16 kg

BRACKET

SINGLE OCTAGONAL CLICK CUBICLE

(2 brackets for 1 post) thickness 8 mm

TR3151	Cubicle bracket OCTAGONAL click single (unit)	3.2 kg
--------	---	--------

NECK BAR

L09936	Bracket robust 60/49 mm thickness 4 mm	1.7 kg
TU9756	Tube Ø 49 mm GALVA L.6 m	20 kg
ST9943	Sleeve connector for tube Ø 49 mm	0.5 kg
L09941	Bracket neck bar support Ø 49 mm (unit)	0.6 kg
L09932	Bracket strap 60-49 - thickness 5 mm	2.6 kg

FRONT BAR

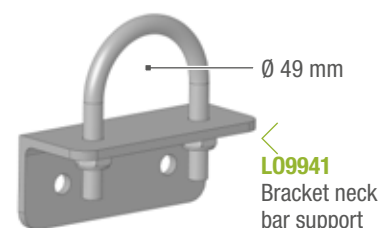
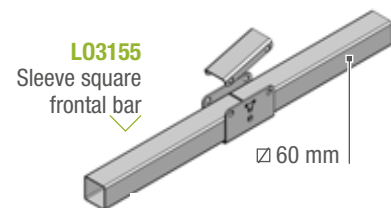
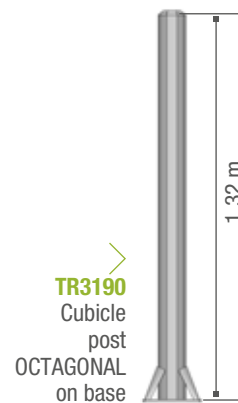
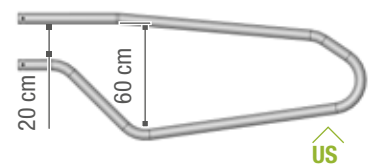
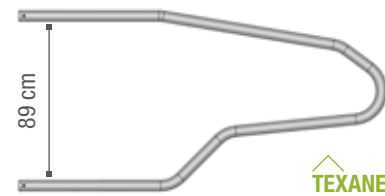
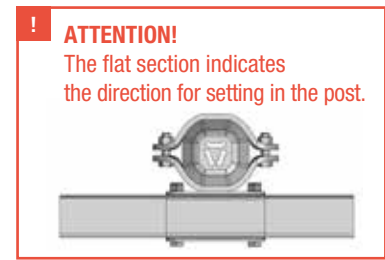
TU9665	Square tube 60 x 60 mm, L 6 m	30 kg
L03155	Sleeve square frontal bar 60 x 60 mm	1.6 kg
L09940	Bracket square frontal bar 60 x 60 mm (pair)	1.2 kg

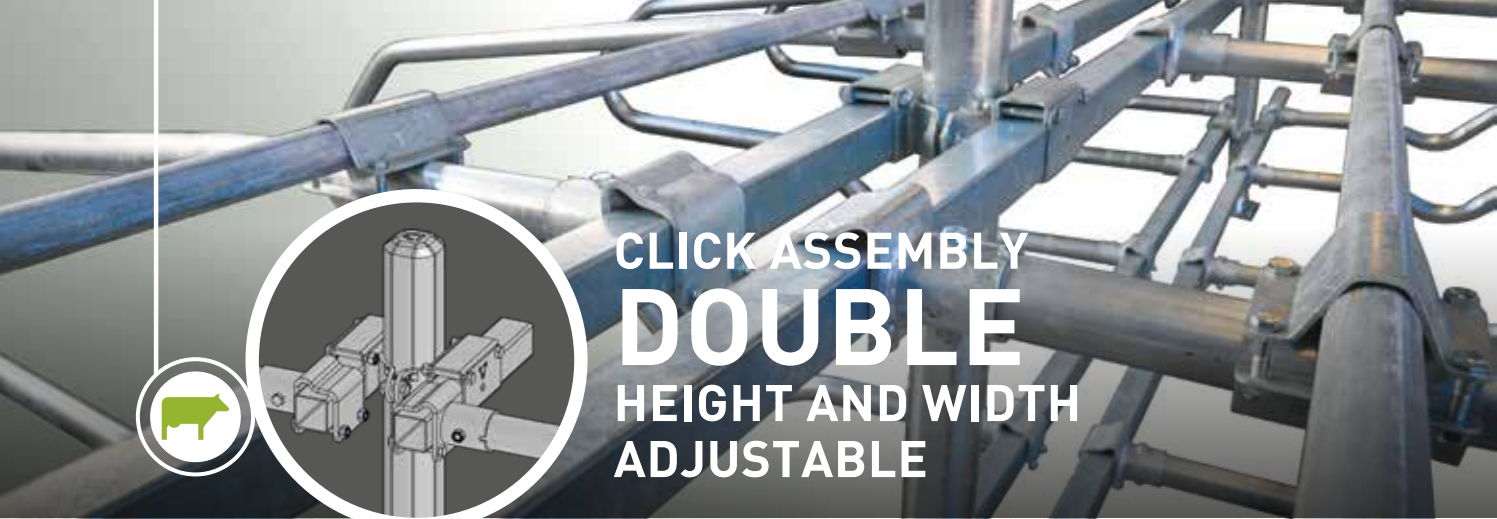
BRACKET FOR

PVC TUBE Ø 125 MM

Bracket for high pressure PVC tube Ø 125 mm (not supplied). It is adaptable for all models except US and Kondor. It can be adjusted to suit the length and the height of the lying area. Allow one bracket for 2 cubicles.

L03169	Bracket for PVC tube Ø 125 mm	3 kg
--------	-------------------------------	------





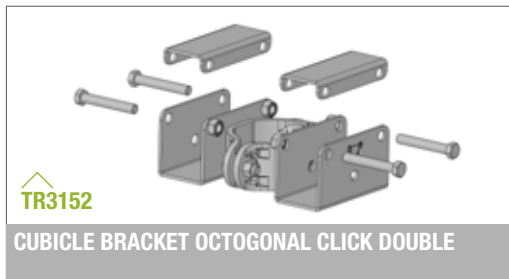
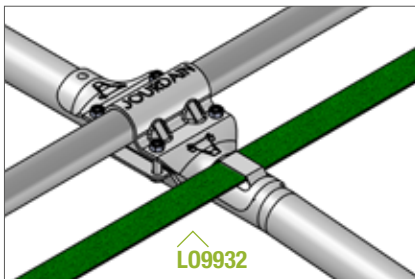
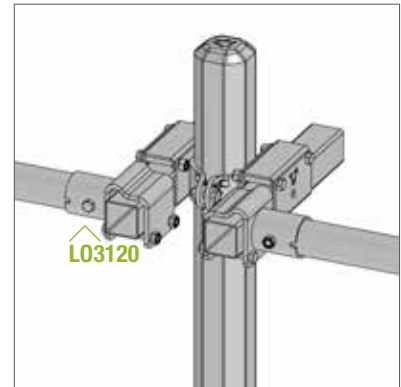
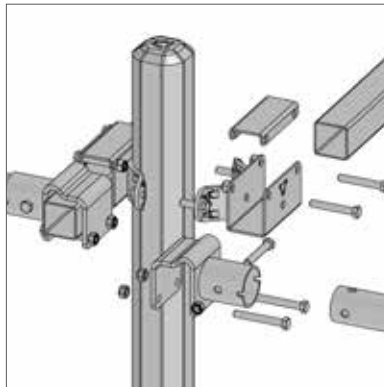
CLICK ASSEMBLY DOUBLE HEIGHT AND WIDTH ADJUSTABLE



ASSEMBLY DOUBLE ROW

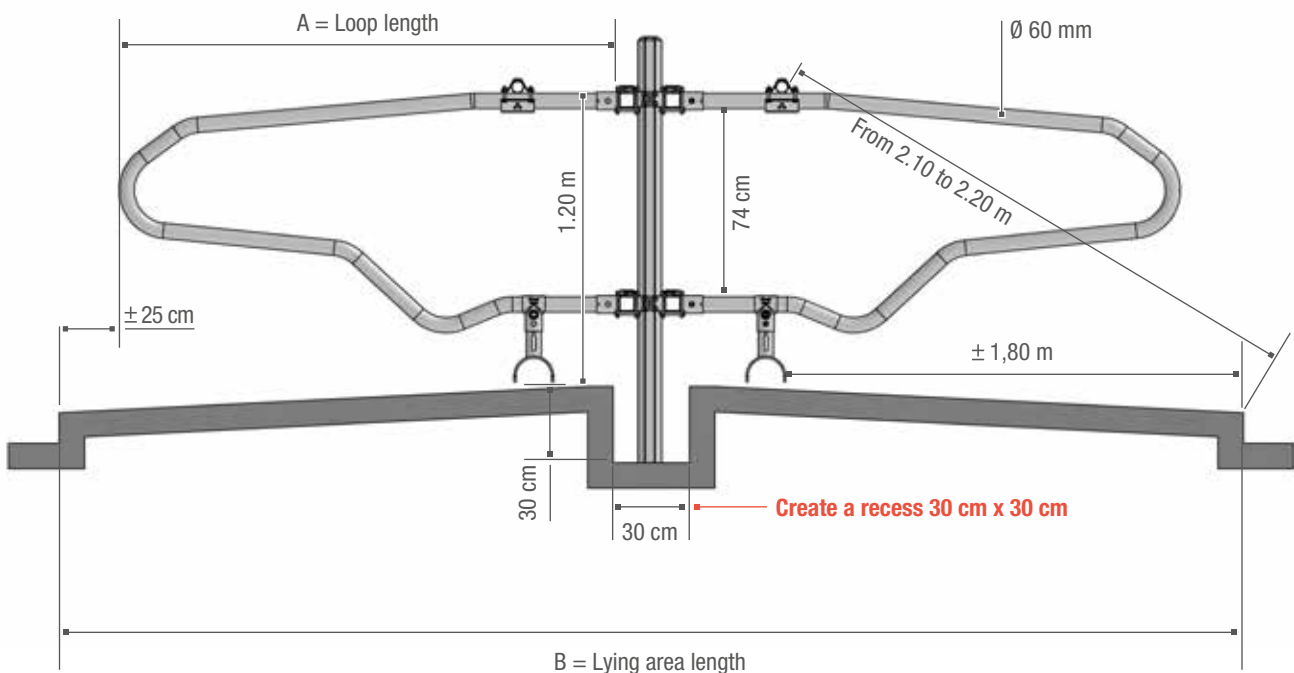
A =	1.95 m	2.08 m	2.15 m	2.25 m
B =	4.66 m	4.92 m	5.06 m	5.26 m

For cubicles of 1.15 m and 1.20 m from centre to centre. The dimensions are given as an indication. Please adapt them to suit your stock and the lying area.



TR3152
CUBICLE BRACKET OCTAGONAL CLICK DOUBLE

L09936
BRACKET ROBUST THICKNESS 4 MM



OCTAGONAL CLICK ASSEMBLY CUBICLE

Cubicle Ø 60 mm height and width adjustable.

CUBICLE LOOP

CUBICLE LOOP EURO			
L03100	Cubicle loop EURO Milking bare L. 1.95 m	19 kg	
L03108	Cubicle loop EURO Milking bare L. 2.08 m	20 kg	
L03115	Cubicle loop EURO Milking bare L. 2.15 m	21 kg	
L03125	Cubicle loop EURO Milking bare L. 2.25 m	22 kg	NEW
CUBICLE LOOP TEXANE			
L03103	Cubicle loop TEXANE bare L. 2.08 m	20 kg	
L03117	Cubicle loop TEXANE bare L. 2.15 m	21 kg	
CUBICLE LOOP US			
L03170	Cubicle loop US cow bare L. 1.95 m	19 kg	

CLICK END

Allow one pair of CLICK ends per loop.

L03120	Pair of CLICK type ends Ø 70 mm	4.8 kg
--------	---------------------------------	--------

CUBICLE

POST

TR3189	Cubicle post OCTAGONAL to be set in L.1.66 m	14 kg
TR3190	Cubicle post OCTAGONAL on base L.1.32 m	15 kg
TR3180	Cubicle post OCTAGONAL on base L.1.66 m	16 kg

BRACKET

DOUBLE OCTOGONAL CLICK CUBICLE

(2 brackets for 1 post) thickness 8 mm

TR3152	Cubicle bracket OCTOGONAL CLICK double (unit)	4.7 kg
--------	---	--------

NECK BAR

L09936	Bracket robust 60/49 mm thickness 4 mm	1.7 kg
TU9756	Tube Ø 49 mm GALVA L.6 m	20 kg
ST9943	Sleeve connector for tube Ø 49 mm	0.5 kg
L09941	Bracket neck bar support Ø 49 mm (unit)	0.6 kg
L09932	Bracket strap 60-49 - thickness 5 mm	2.6 kg

FRONT BAR

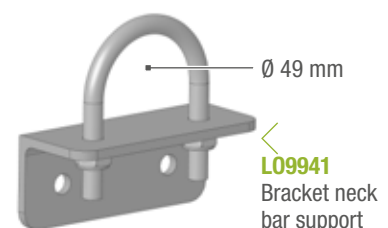
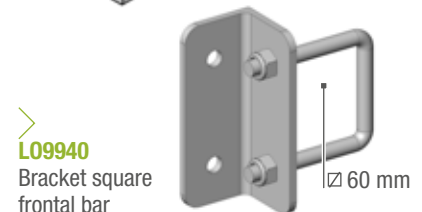
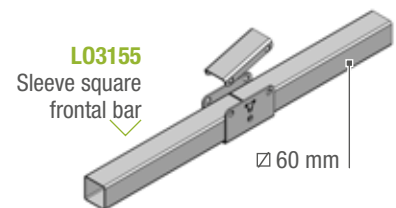
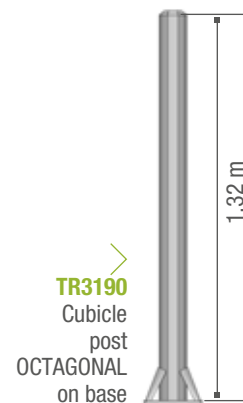
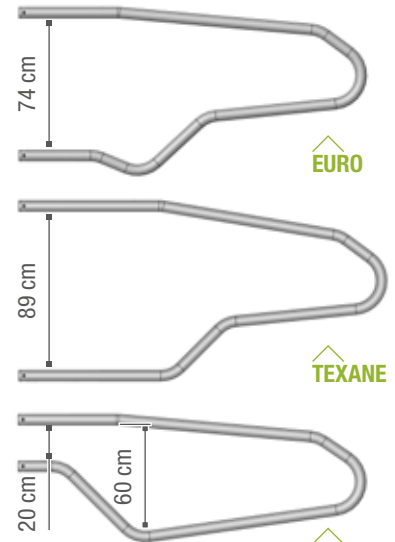
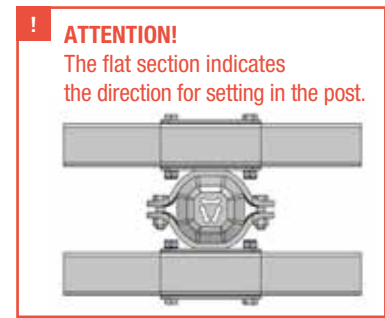
TU9665	Square tube 60 x 60 mm, L 6 m	30 kg
L03155	Sleeve square frontal bar 60 x 60 mm	1.6 kg
L09940	Bracket square frontal bar 60 x 60 mm (pair)	1.2 kg

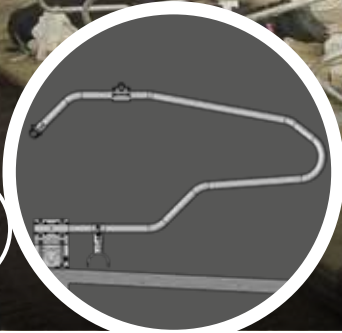
BRACKET FOR

PVC TUBE Ø 125 MM

Bracket for high pressure PVC tube Ø 125 mm (not supplied). It is adaptable for all models except US and Kondor. It can be adjusted to suit the length and the height of the lying area. Allow one bracket for 2 cubicles.

L03169	Bracket for PVC tube Ø 125 mm	3 kg
--------	-------------------------------	------

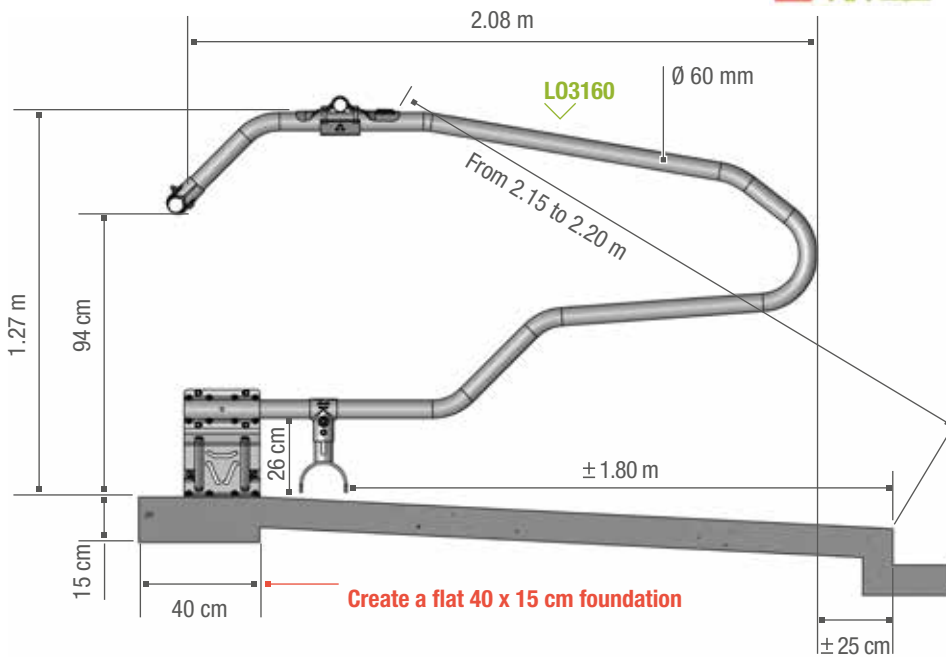




CUBICLE RELAX FIXED

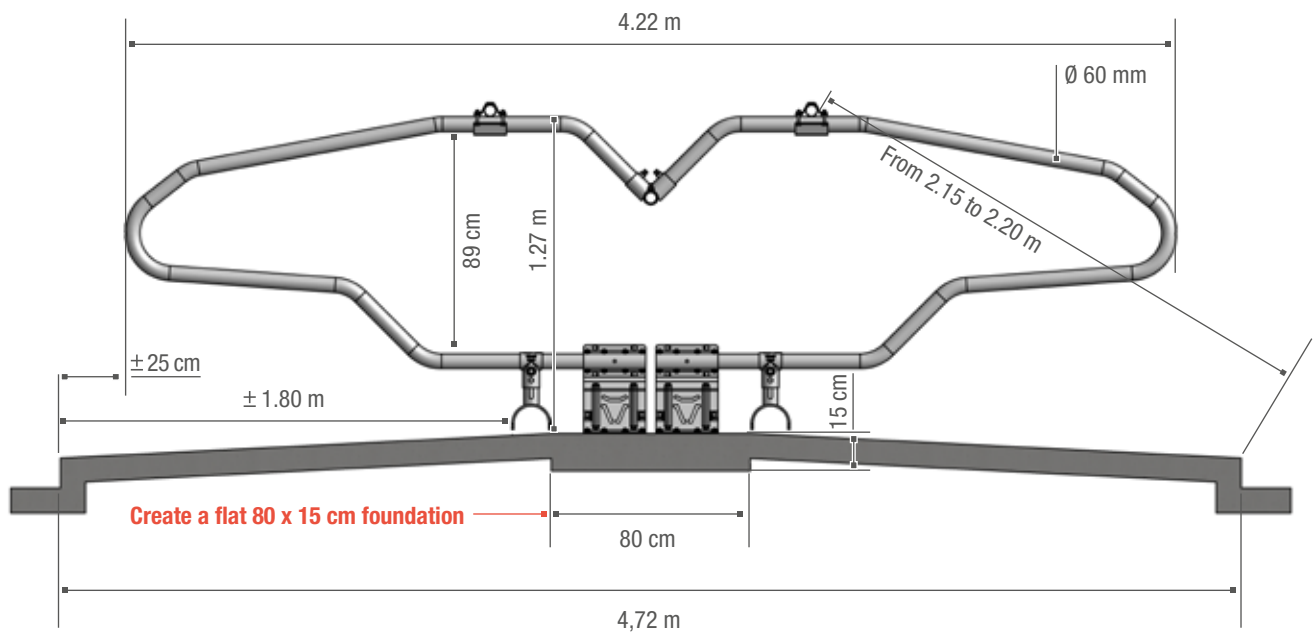


CUBICLE RELAX SINGLE



For cubicles of 1.15 m and 1.20 m from centre to centre. The dimensions are given as an indication. Please adapt them to suit your stock and the lying area.

CUBICLE RELAX DOUBLE



CUBICLE

RELAX

THE TEXANE PROFILE CUBICLE, is made from a single piece of tube Ø 60, length 2.08 m giving a 2,40 m lying area in a single row, or 4,70 m with two rows opposite each other and without posts, held using the "SP support". Not only is the loop attached to the neck bar but it also carries an anti-advancing bar (improved rigidity). This bar is shared in double row cubicles.

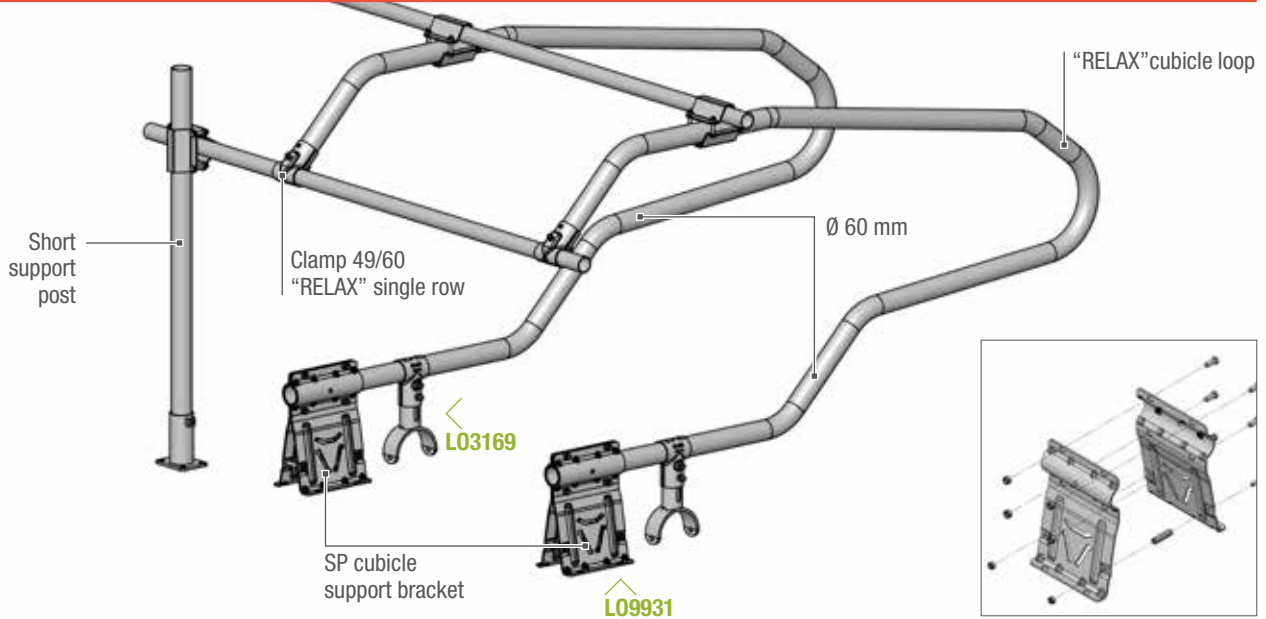
L03160	Cubicle loop RELAX bare L.2.08 m	22 kg
L03166	Clamp 49/60 mm RELAX	0.9 kg
L03167	Triple sleeve connector RELAX 60/49 mm	1.6 kg
L09936	Bracket robust 60/49 mm thickness 4 mm	1.7 kg
TU9756	Tube Ø 49 mm GALVA L.6 m	20 kg
ST9943	Sleeve connector for tube Ø 49 mm	0.5 kg
L09931	Cubicle support SP for RELAX thickness 6 mm. To bolt to the ground.	8 kg
L09932	Bracket strap 60-49 - thickness 5 mm	2.6 kg

BRACKET FOR PVC TUBE Ø 125 MM

Bracket for high pressure PVC tube Ø 125 mm (not supplied). it is adaptable for all models except US and Kondor. It can be adjusted to suit the length and the height of the lying area. Allow one bracket for 2 cubicles.

L03169	Bracket for PVC tube Ø 125 mm	3 kg
---------------	-------------------------------	------

! IMPORTANT! In order to prevent corrosion steel in zinc due to prolonged contact with silage, slurry or muck, it is recommended that bituminous paint TR0005 should be applied before use, and periodically thereafter, in order to protect the equipment: post feet, barrier and cubicle bottoms, knee bars, brackets...



✓ INSTALLATION ADVICE: allow one short support post for every 10 cubicles, which includes one repair end "BP" Ref. LO4500, one Robust bracket Ref. L09936 and a 1 m Ø 60 mm tube.

TEXANE LOOP

L03103 Cubicle loop TEXANE bare L. 2.08 m 20 kg



TEXANE CONNECTOR BAR

L09943 Linkage bar TEXANE Ø 70 mm (to be drilled) 5 kg

BRACKET FOR PVC TUBE Ø 125 MM

Bracket for high pressure PVC tube Ø 125 mm (not supplied). It is adaptable for all models except US and Kondor. It can be adjusted to suit the length and the height of the lying area. Allow one bracket for 2 cubicles.

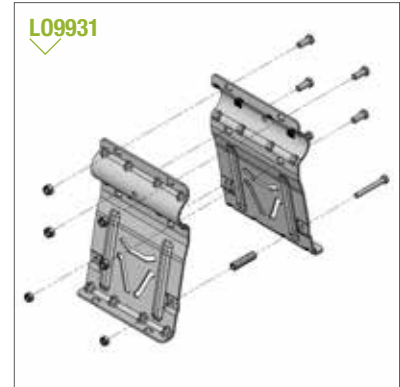
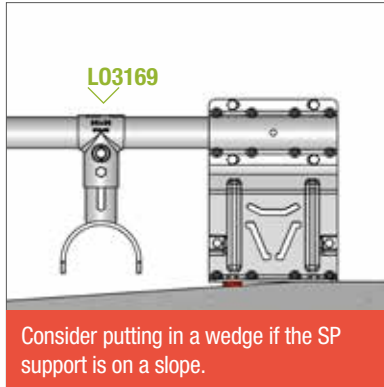
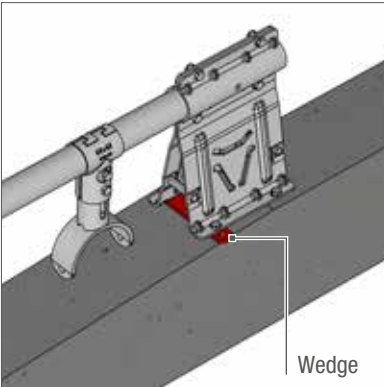
L03169 Bracket for PVC tube Ø 125 mm 3 kg

SP CUBICLE SUPPORT

L09931 Cubicle support SP thickness 6 mm. To bolt to the ground. 8 kg

PLATE WEDGE

FE2135 Plate wedge 35 x 8 mm L. 197 mm 0.39 kg

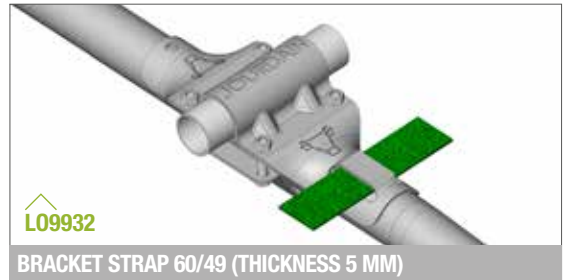
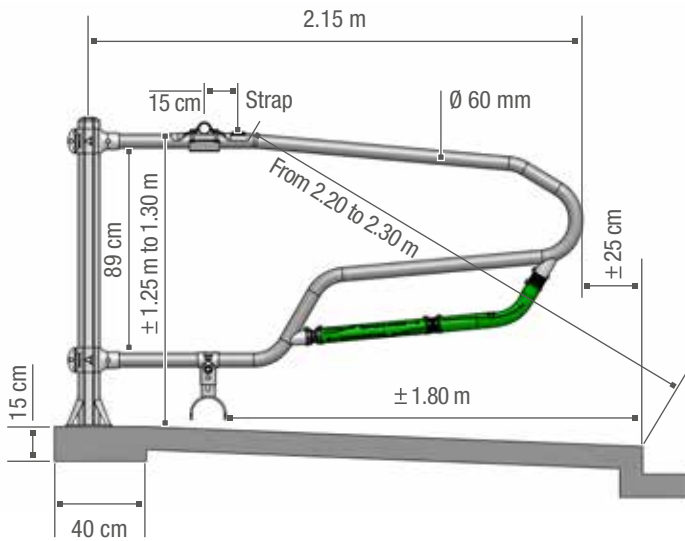




CUBICLE COWFLEX

ASSEMBLY

COWFLEX BLS



L09932

BRACKET STRAP 60/49 (THICKNESS 5 MM)



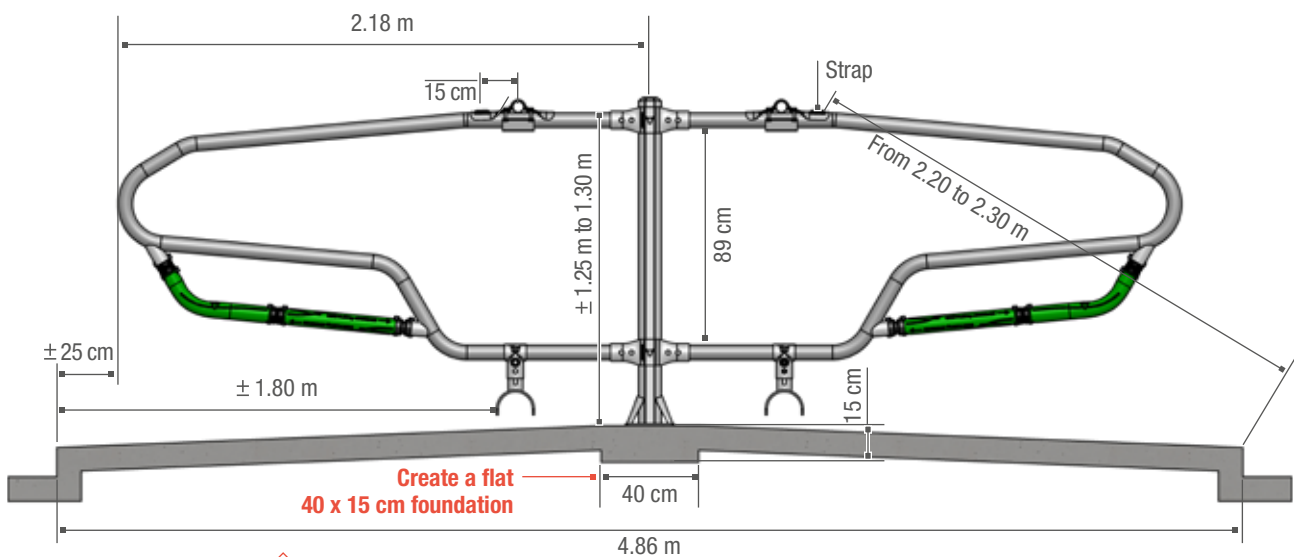
L09933

ADJUSTABLE WALL BRACKET

For cubicles of 1.15 m and 1.20 m from centre to centre. The dimensions are given as an indication. Please adapt them to suit your stock and the lying area.

ASSEMBLY

COWFLEX BLD



You Tube ENTER JOURDAIN

! **IMPORTANT!** In order to prevent corrosion steel in zinc due to prolonged contact with silage, slurry or muck, it is recommended that bituminous paint TR0005 should be applied before use, and periodically thereafter, in order to protect the equipment: post feet, barrier and cubicle bottoms, knee bars, brackets.

CUBICLE

COWFLEX

THE COWFLEX CUBICLE IS THE IDEAL COMPROMISE BETWEEN RIGIDITY AND FLEXIBILITY. THE TOUGH STEEL FRAME KEEPS THE COW STRAIGHT IN THE CUBICLE PREVENTING THE ANIMAL FROM TURNING AROUND AND SOILING THE LYING AREA.

The lower HDPE covered part has 3 pivot points providing comfort in the cow/cubicle contact zones. The strap bracket (thickness 5 mm) makes the cubicle more rigid; the strap provides more comfortable contact with the chest.

L03208	Cubicle loop COWFLEX bare L.2.08 m	26 kg
L09932	Bracket strap 60/49 thickness 5 mm	2.6 kg
L09933	Adjustable wall bracket (includes 1 Bracket robust + 1 strap tightening plate + 1 Multifix)	6.2 kg
L09944	Webbed strap 50 mm (Roll 62 m)	5.5 kg
L09935	Ratchet handle	1.5 kg
L09936	Bracket robust 60/49 mm thickness 4 mm	1.7 kg
TU9756	Tube Ø 49 mm Bar 6 m (Neck bar)	20 kg
ST9943	Sleeve connector for tube Ø 49 mm	0.5 kg
L09941	Bracket neck bar support Ø 49 mm (unit)	0.6 kg

CUBICLE

COWFLEX BLD ASSEMBLY

(Double Cubicle Bracket) 2 BLD brackets thickness 6 mm - 1 OCTAGONAL post 102 mm - 2 Cubicle loops

L03157	Double cubicle bracket octagonal BLD (pair)	7.2 kg
---------------	---	--------

CUBICLE

COWFLEX BLS ASSEMBLY

(Single Cubicle Bracket). 2 BLS brackets thickness 6 mm - 1 OCTAGONAL post 102 mm - 1 Cubicle loop

L03156	Single cubicle brackets OCTAGONAL BLS (pair)	5.2 kg
---------------	--	--------

CUBICLE

POST

TR3189	BARE OCTAGONAL cubicle post for setting in 1.66 m	14 kg
TR3190	BARE OCTAGONAL cubicle post plate mounted 1.32 m	15 kg
TR3180	BARE OCTAGONAL cubicle post plate mounted 1.66 m	16 kg

BRACKET FOR

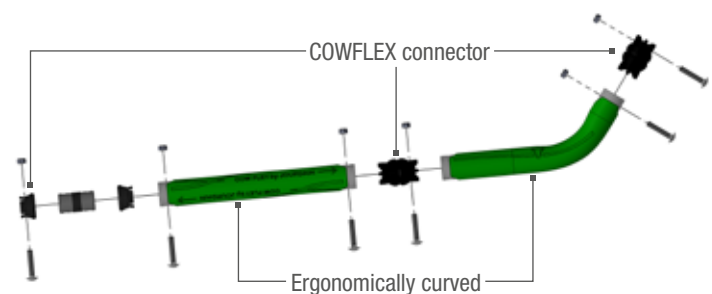
PVC TUBE Ø 125 MM

Bracket for high pressure PVC tube Ø 125 mm (not supplied). It is adaptable for all models except US and Kondor. It can be adjusted to suit the length and the height of the lying area. Allow one bracket for 2 cubicles.

L03169	Bracket for PVC tube Ø 125 mm	3 kg
---------------	-------------------------------	------

FLEXIBLE HDPE CURVED BAR

The HDPE covered flexible galvanised curved bar changes shape in order to adapt to the position of the cow, when lying down, and then returns to its original shape thanks to the 3 Cowflex connectors.

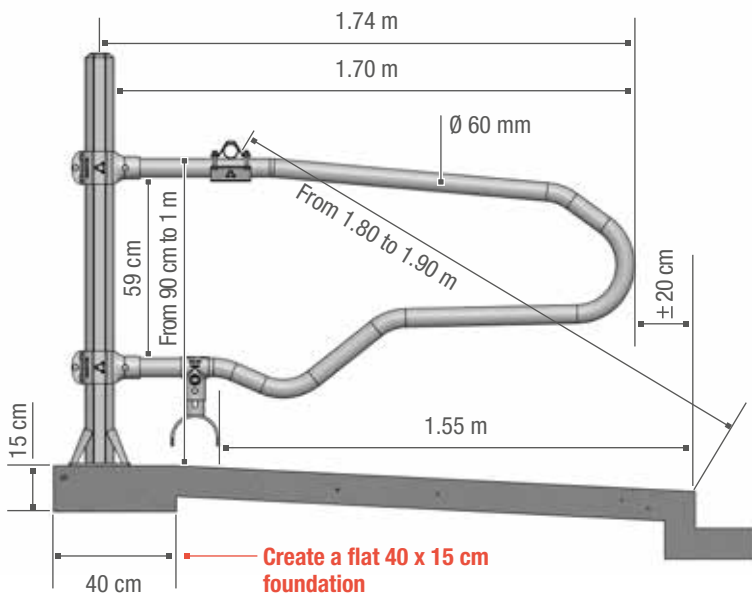




HEIFER CUBICLE ASSEMBLY BLS-BLD

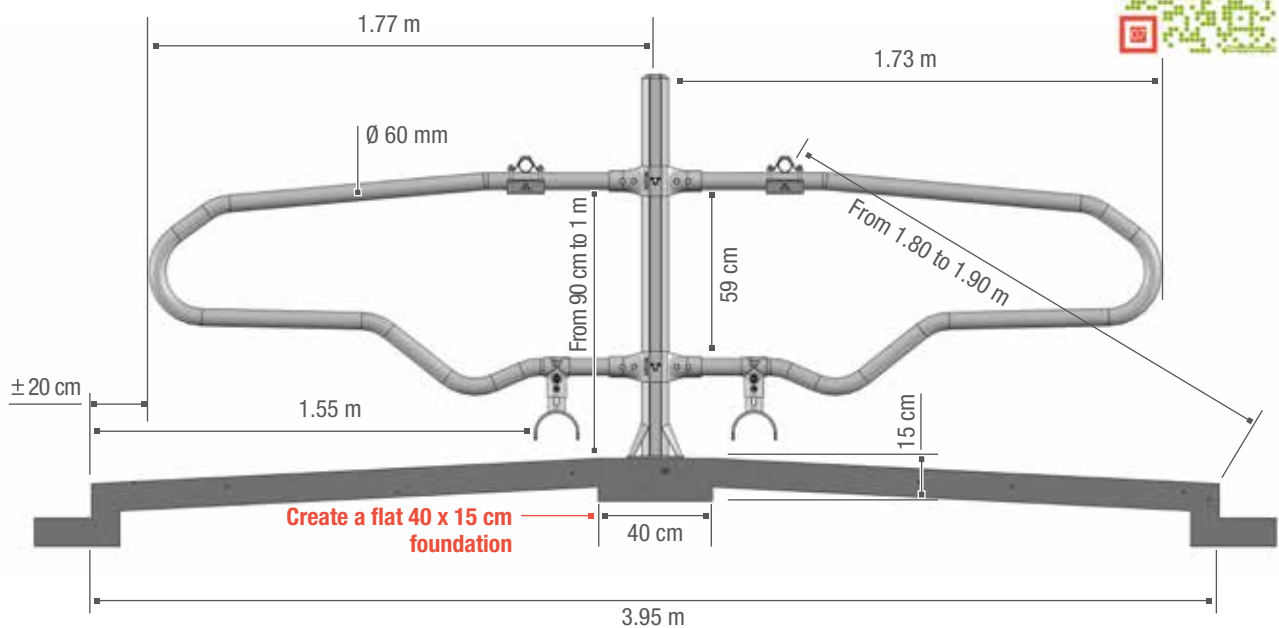


ASSEMBLY EURO HEIFER BLS



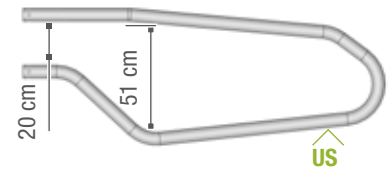
The dimensions are given as an indication. Please adapt them to suit your stock and the lying area.

ASSEMBLY EURO HEIFER BLD



HEIFER LOOP

- L03101** Cubicle loop EURO Heifer bare Ø 60 mm L. 1.70 m 15 kg
- L03105** Cubicle loop US Heifer bare Ø 60 mm L. 1.70 m 15 kg



BLS BRACKET

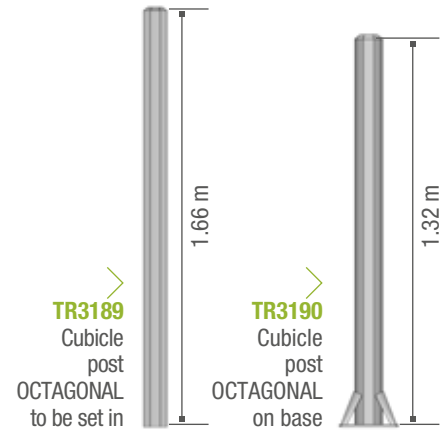
Allow one post and a pair of BLS brackets per loop.

- L03156** BLS single octagonal cubicle bracket for fixing on octagonal post Ø 102 mm (pair) 5.2 kg

BLD BRACKET

Allow one post and a pair of BLD brackets for 2 loops.

- L03157** BLD double octagonal cubicle bracket for fixing on octagonal post Ø 102 mm (pair) 7.2 kg

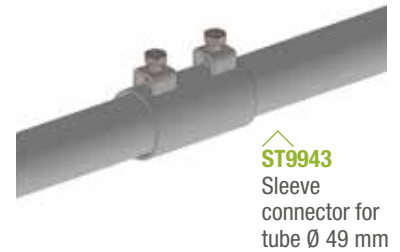


CUBICLE POST

- TR3189** Cubicle post OCTAGONAL to be set in L. 1.66 m 14 kg
- TR3190** Cubicle post OCTAGONAL on base L. 1.32 m 15 kg

NECK BAR

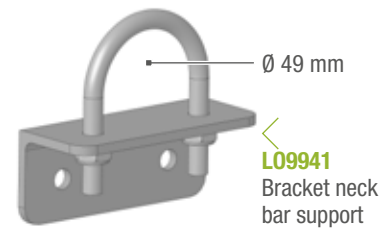
- L09936** Bracket robust 60/49 mm thickness 4 mm 1.7 kg
- TU9756** Tube Ø 49 mm GALVA L.6 m (neck bar) 20 kg
- ST9943** Sleeve connector for tube Ø 49 mm 0.5 kg
- L09941** Bracket neck bar support Ø 49 mm (unit) 0.6 kg

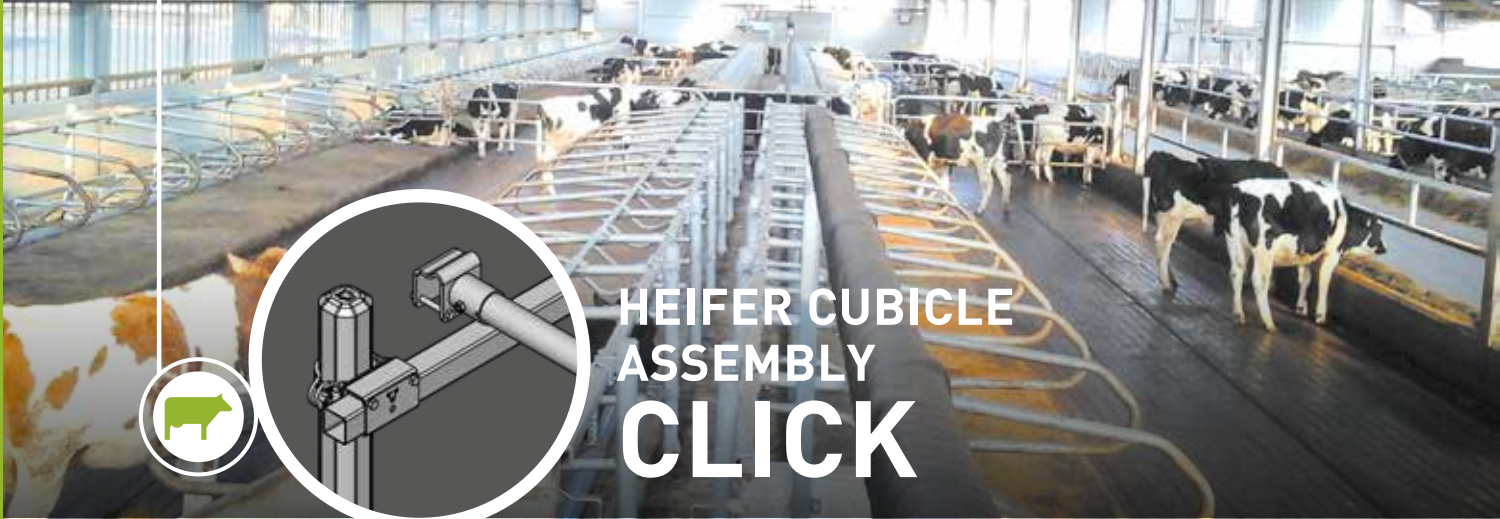


BRACKET FOR PVC TUBE Ø 125 MM

Bracket for high pressure PVC tube Ø 125 mm (not supplied). It is adaptable for all models except US and Kondor. It can be adjusted to suit the length and the height of the lying area. Allow one bracket for 2 cubicles.

- L03169** Bracket for PVC tube Ø 125 mm 3 kg

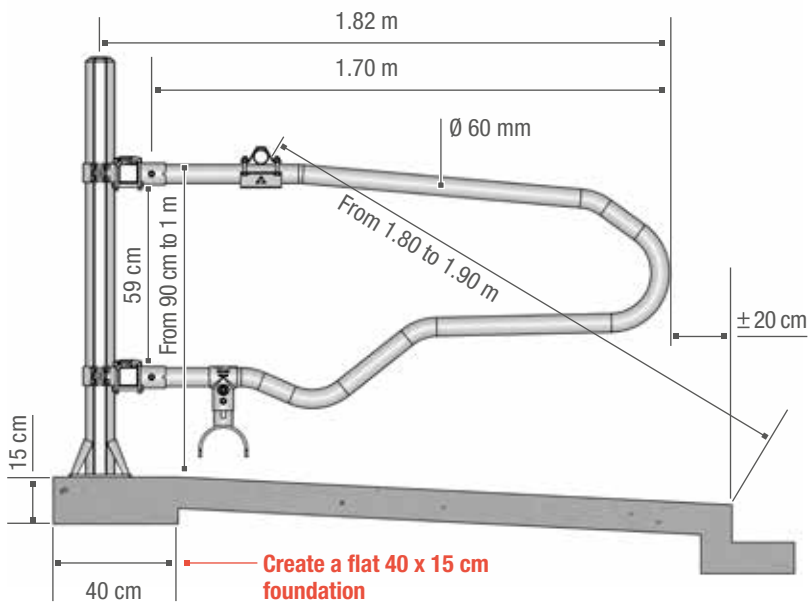




HEIFER CUBICLE ASSEMBLY CLICK

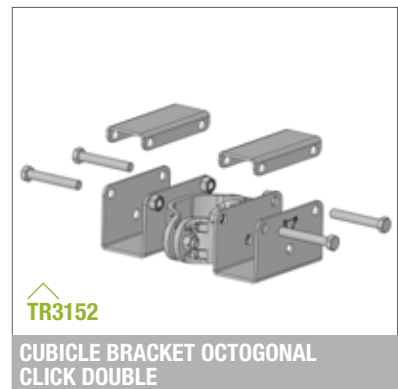
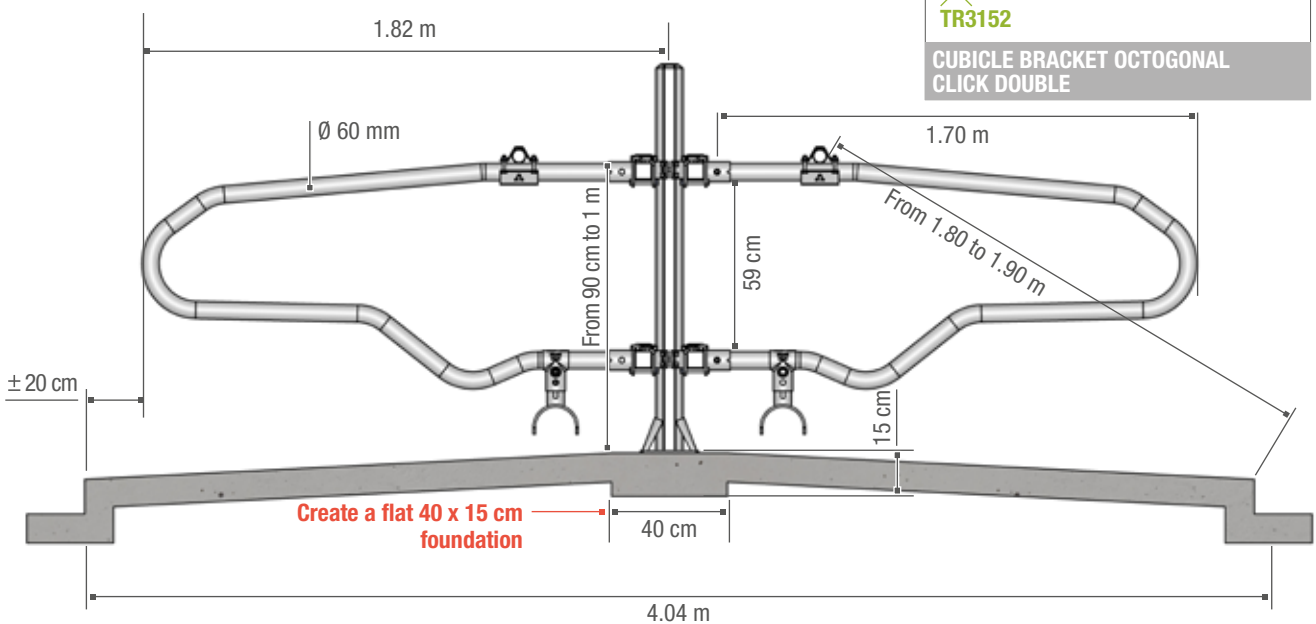


ASSEMBLY EURO SINGLE HEIFER CLICK



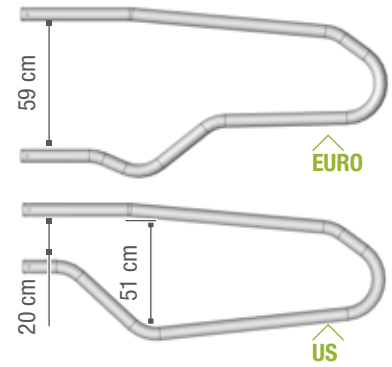
The dimensions are given as an indication. Please adapt them to suit your stock and the lying area.

ASSEMBLY EURO DOUBLE HEIFER CLICK



HEIFER LOOP

L03101	Cubicle loop EURO Heifer bare Ø 60 mm L. 1.70 m	15 kg
L03105	Cubicle loop US Heifer bare Ø 60 mm L. 1.70 m	15 kg



CLICK END

Allow one pair of click ends per loop.

L03120	Pair of CLICK type ends Ø 70 mm	4.8 kg
---------------	---------------------------------	--------

CUBICLE

POST

TR3189	Cubicle post OCTAGONAL to be set in L.1,66 m	14 kg
TR3190	Cubicle post OCTAGONAL on base L.1,32 m	15 kg

BRACKET

SINGLE OCTAGONAL CLICK CUBICLE

(2 brackets for 1 post) thickness 8 mm

TR3151	Cubicle bracket OCTAGONAL click single (unit)	3.2 kg
---------------	---	--------

BRACKET

DOUBLE OCTAGONAL CLICK CUBICLE

(2 brackets for 1 post) thickness 8 mm

TR3152	Cubicle bracket OCTAGONAL click double (unit)	4.7 kg
---------------	---	--------

NECK BAR

L09936	Bracket robust 60/49 mm thickness 4 mm	1.7 kg
TU9756	Tube Ø 49 mm GALVA L.6 m (neck bar)	20 kg
ST9943	Sleeve connector for tube Ø 49 mm	0.5 kg
L09941	Bracket neck bar support Ø 49 mm (unit)	0.6 kg

FRONTAL BAR

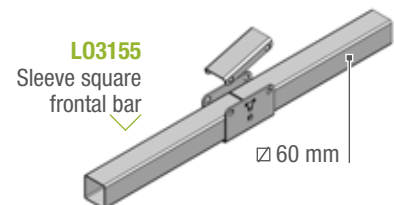
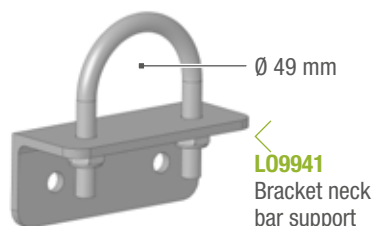
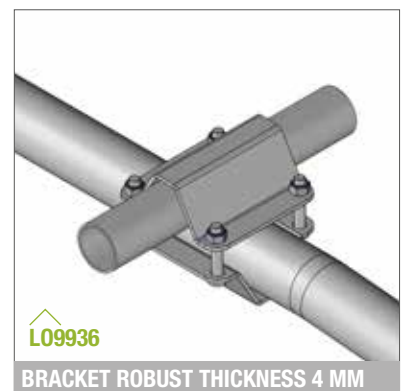
TU9665	Square tube 60 x 60 mm, L. 6 m	30 kg
L03155	Sleeve square frontal bar 60 x 60 mm	1.6 kg
L09940	Bracket square frontal bar 60 x 60 mm (pair)	1.2 kg

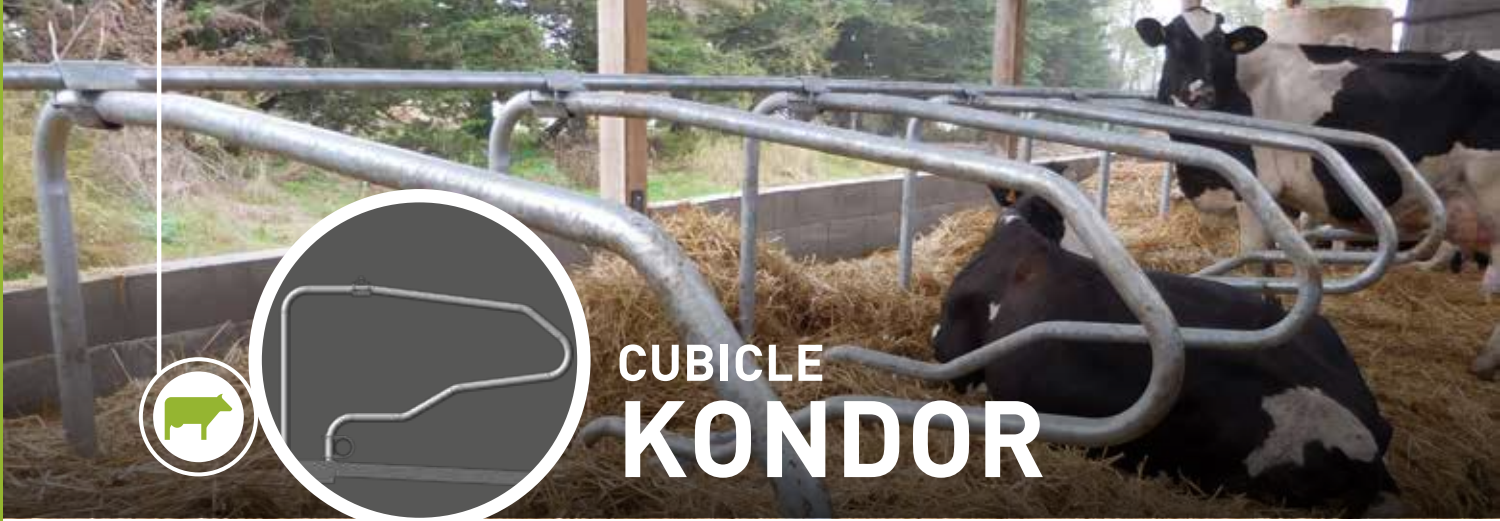
BRACKET FOR

PVC TUBE Ø 125 MM

Bracket for high pressure PVC tube Ø 125 mm (not supplied). It is adaptable for all models except US and Kondor. It can be adjusted to suit the length and the height of the lying area. Allow one bracket for 2 cubicles.

L03169	Bracket for PVC tube Ø 125 mm	3 kg
---------------	-------------------------------	------





CUBICLE KONDOR

CUBICLE KONDOR

THIS CUBICLE REPRODUCES THE EXACT FORM OF THE TEXANE CUBICLE AND ITS POST.

It is not adjustable. It is not as strong as a BLS/BLD assembly and can be subject to more corrosion on the front foot. It is attached by Ø 12 mm rawl bolts, bolted straight into the lying area base. As an option, it is possible to add a PVC Ø 125 mm knee bar. Allow a knee bar bracket for every 2 cubicles.

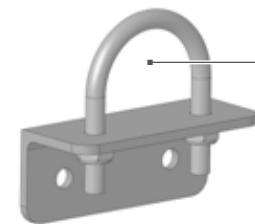
L03112	Cubicle loop type Kondor - L. 2.05 m	27 kg
L03113	Cubicle loop Kondor on plate for Heifers L. 1.80m	22.5 kg
L09939	Bracket for PVC tube Ø 125 mm for Kondor cubicle	1.4 kg



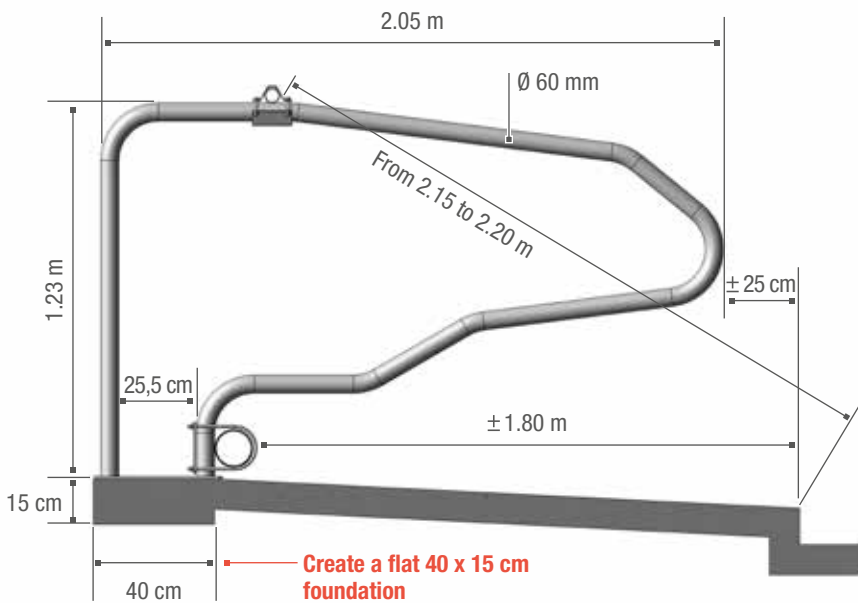
ST9943
Sleeve connector for tube Ø 49 mm

NECK BAR

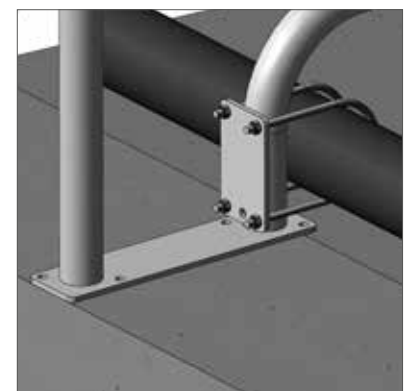
L09936	Bracket Robust thickness 4 mm	1.7 kg
TU9756	Tube Ø 49 mm 6 m bar (neck bar)	20 kg
ST9943	Sleeve connector for tube Ø 49 mm	0.5 kg
L09941	Bracket neck bar support (unit)	0.6 kg



Ø 49 mm
L09941
Bracket neck bar support



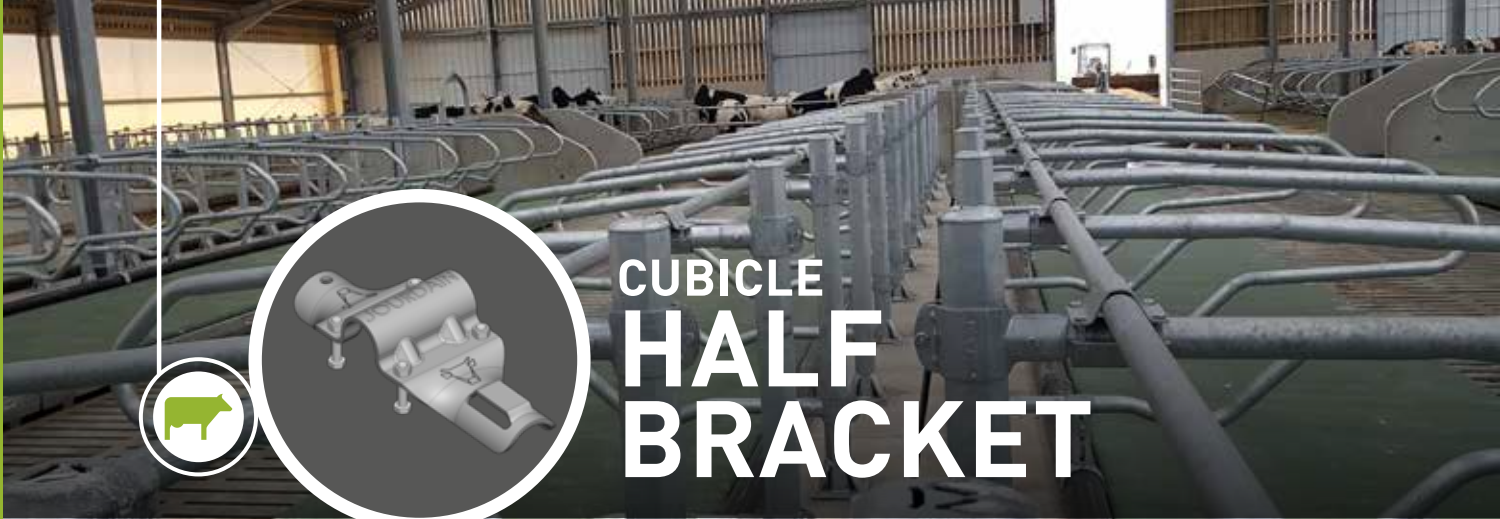
L09939



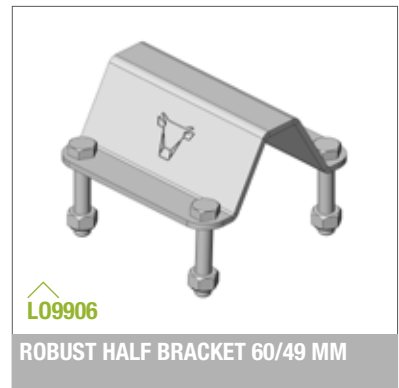
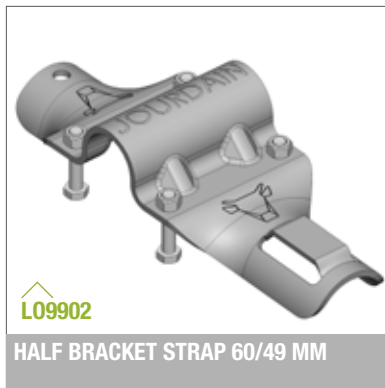
For cubicles of 1.15 m and 1.20 m from centre to centre. The dimensions are given as an indication. Please adapt them to suit your stock and the lying area.

! **IMPORTANT!** In order to prevent corrosion steel in zinc due to prolonged contact with silage, slurry or muck, it is recommended that bituminous paint TR0005 should be applied before use, and periodically thereafter, in order to protect the equipment: post feet, barrier and cubicle bottoms, knee bars, brackets...





CUBICLE HALF BRACKET



CUBICLE HALF BRACKET

Cubicle half-brackets supplied individually.

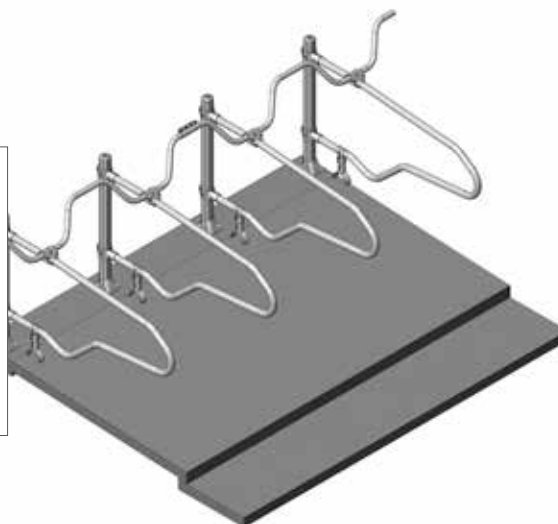
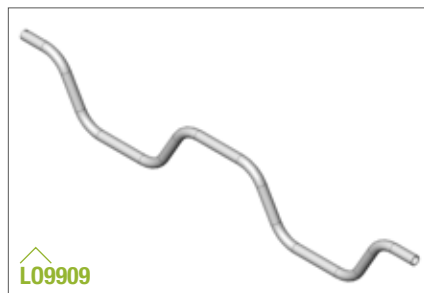
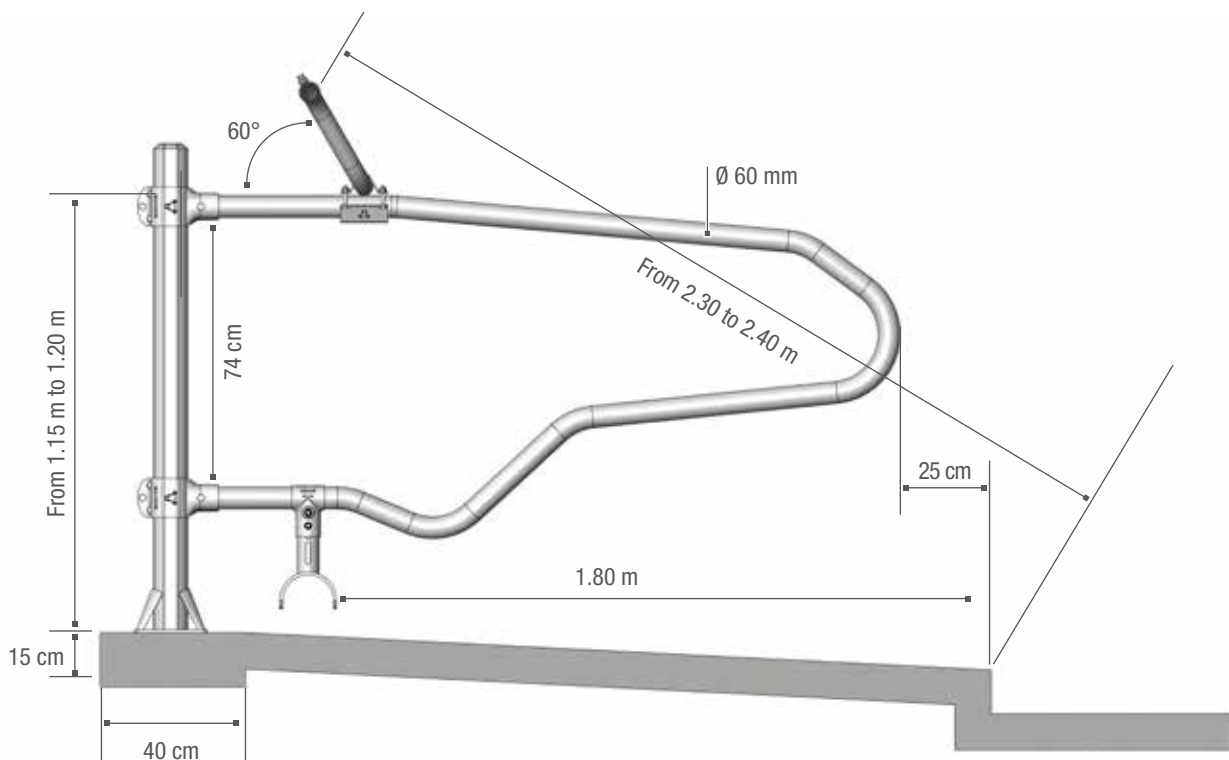
L03056	OCTAGONAL single cubicle half bracket BLS		1.55 kg
L03057	OCTAGONAL double cubicle half bracket BLD		2.4 kg
TR3051	OCTAGONAL cubicle half bracket click	(Pack x 12)	2.5 kg
L09902	Half bracket strap 60/49 mm		1.8 kg
L09906	Robust half bracket 60/49 mm	(Pack x 40)	1.7 kg





CURVED NECK BAR

CUBICLES



CURVED NECK BAR

Curved neck bar made of Ø 49 mm tube measuring 2.40 m in length corresponding to 2 cubicle spaces. This neck bar is a more comfortable solution to the neck bar on old cubicles that are designed too low.

It can be used on Euro cubicles, but as it enables animals to move further forward in the cubicle lying area, it has the disadvantage of creating less clean lying areas. On Texane or Relax cubicles, with a neck bar at 1.30 m, the curved neck bar serves no purpose.

Remember to order one connector per neck bar and adjust the bar on the wall for animal safety.

L09909 Curved neck bar Ø 49 mm - Length: 2.40 m

8.4 kg

L09911 Curved neck bar connector

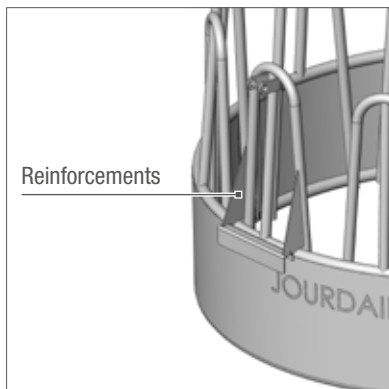
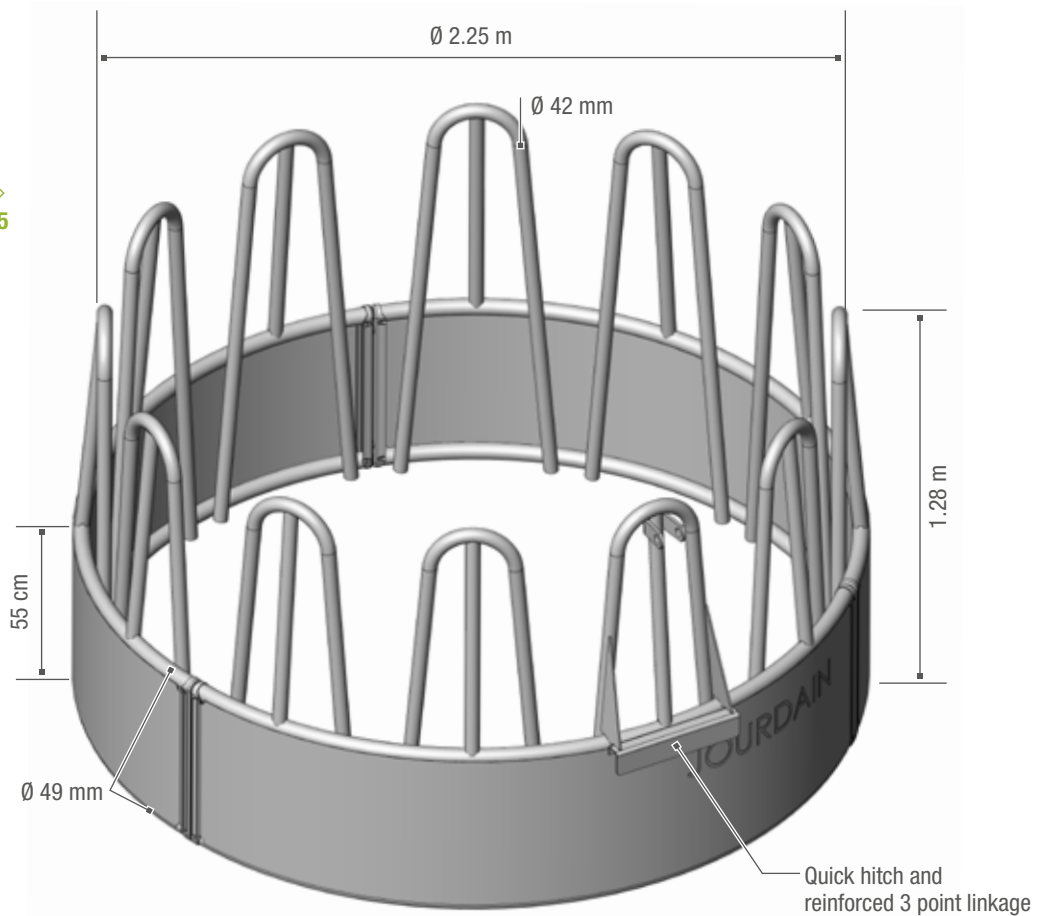
1.06 kg



ROUND BALE HAY RACK P.T.F.

HAY RACK ROUND BALE TYPE P.T.F.

RA0905



ROUND BALE HAY RACK

TYPE P.T.F.

12 HEAD SPACES FOR HORNED ANIMALS. COMPRISING THREE SECTIONS 1 OF WHICH THAT CAN BE MADE TO OPEN. (See option).
Curved tube Ø 49 mm.

RA0905 P.T.F.

(Pack x 4)

193 kg



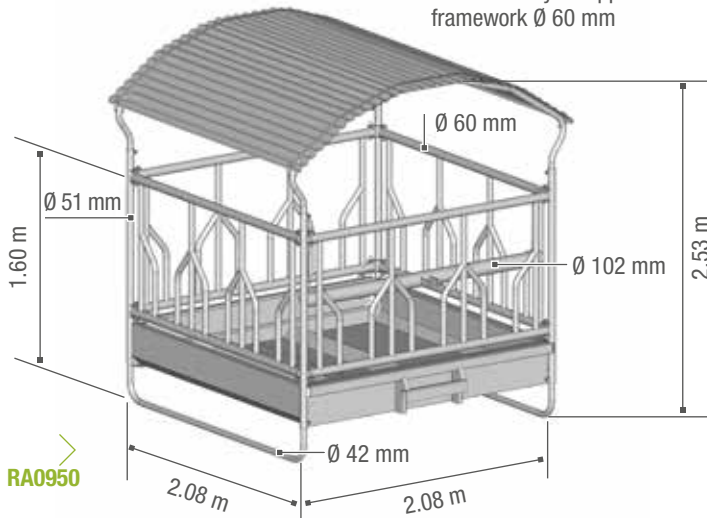
When transporting the hay rack, comply with the highway code.



HAY RACK 4 FACES

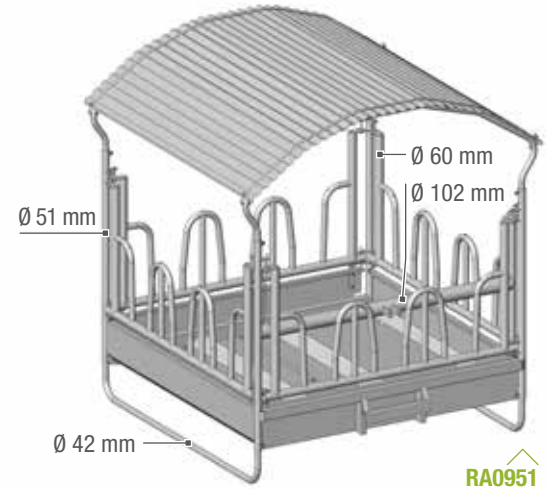
4 FACES TYPE FESTON

Reinforced by an upper framework Ø 60 mm



RA0950

4 FACES TYPE P.T.F.

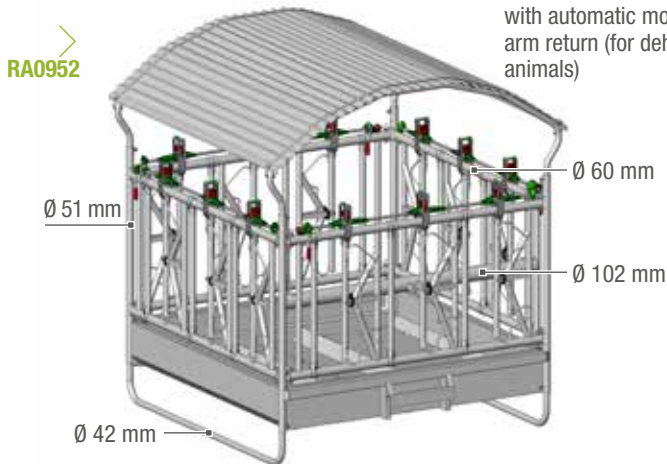


RA0951

High clearance version for heavily horned animals - Beam Ø 60 mm

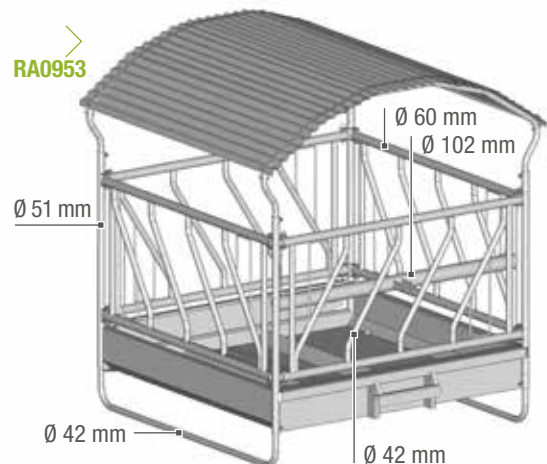
4 FACES TYPE SAFETY®

12 adjustable yoked SAFETY® IV HEADLOCKS with automatic moving arm return (for dehorned animals)

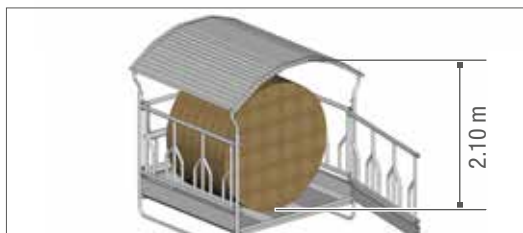


RA0952

4 FACES TYPE DIAGONAL



RA0953



INTEGRAL OPENING ON ALL MODELS



INTERNAL DOUBLE FOLDS TO PREVENT INJURY



INTEGRAL ROOF GUARDS FOR 4 FACES HAY RACKS

HAY RACK

"4 FACES" - 2 M X 2 M

- 12 head spaces for feeding.
- Trough thickness 20/10th reinforced with two large folds, and internal counter folds on the 4 sides (injury prevention). Depth 400 mm. Bale Ø 1.80 m max 300 kg.
- 1 side with OPENING TROUGH SIDE to ease filling and cleaning.
- Full corrugated steel roof 2.25 m, thickness 63/100th.
- Pivoting three-point linkage Ø 102 mm, skids to enable it to be dragged for short distances.

Only move the hay rack when it is empty. WHEN TRANSPORTING THE HAY RACK COMPLY WITH THE HIGHWAY CODE.

- Delivered in KIT form. Flat packed.

RA0950	HAY RACK "4 FACES" FESTON	(Pack x 4)	370 kg
RA0951	HAY RACK "4 FACES" PTF	(Pack x 4)	360 kg
RA0952	HAY RACK "4 FACES" SAFETY IV	(Pack x 3)	480 kg
RA0953	HAY RACK "4 FACES" DIAGONAL	(Pack x 4)	360 kg
RA0957	HAY RACK "4 FACES" FOR HORSES	(Pack x 2)	480 kg

4 BIG BALE HAY RACK PACKAGE SIZE

1.55 m x 2.30 m x 1.35 m high

PARTS SUPPLIED INDIVIDUALLY

RA0992	Side 3 places TYPE FESTON	L = 1.95 m	31 kg
RA0996	Side 3 places TYPE PTF	L = 1.95 m	30 kg
RA0998	Side 3 places TYPE SAFETY® IV	L = 1.95 m	60 kg
RA0994	Side 3 places TYPE DIAGONAL	L = 1.95 m	27 kg
RA0983	Side 3 places HORSES		53 kg
RA0912	Chassis 4 places without sides		240 kg

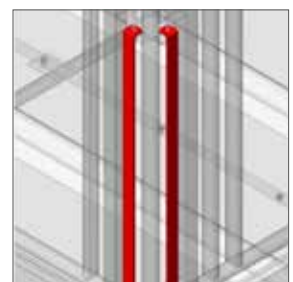
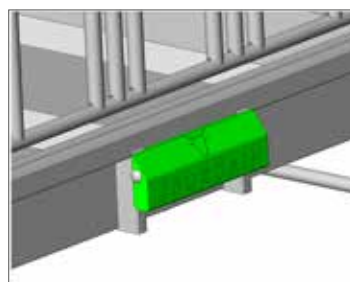
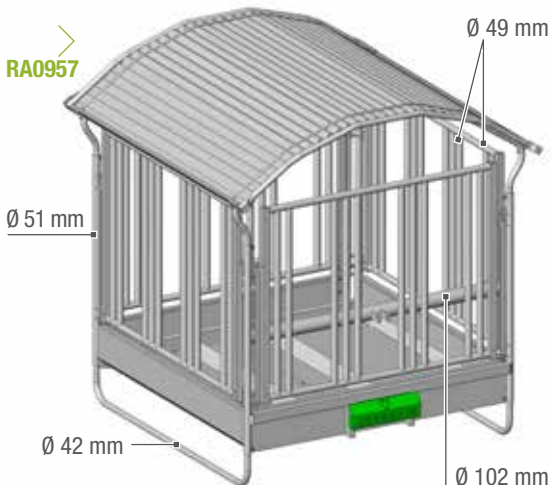
OPTIONS

FOR 4 FACES HAY RACKS

(THESE 3 OPTIONS ARE INCLUDED IN THE 4 FACES HORSE HAY RACK RANGE)

RA0975	Roof guard for horse hay rack "4 faces" Comprising two gutters 4 faces 2.25 m and to 2 integral guards	24 kg
RA0977	Guard three point hitch frame green Comprising a green lower guard and a Ø 20 mm locking pin	3 kg
RA0986	Guard for hay rack "4 faces" and Big Bale (8 pieces)	12.8 kg
RA7020	Reinforcement for trough hay rack "4 faces" Ø 70 mm L = 1.97 m (pair)	20 kg

MODEL INTENDED FOR HORSES



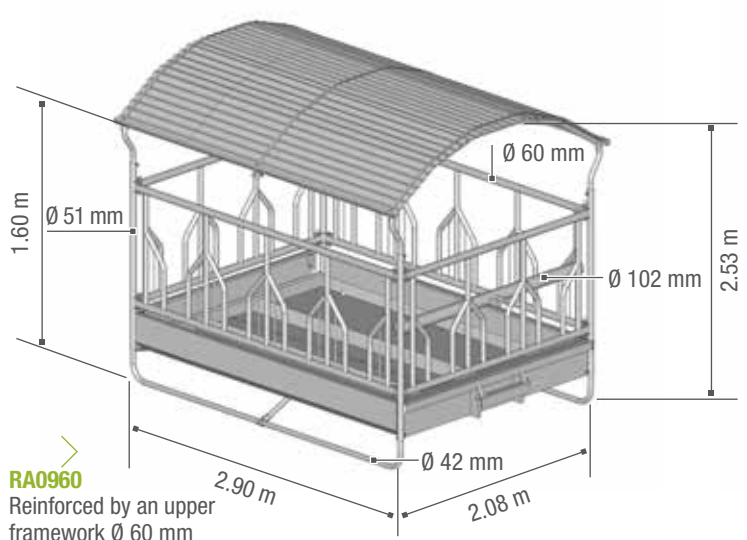
RA0977

RA0986



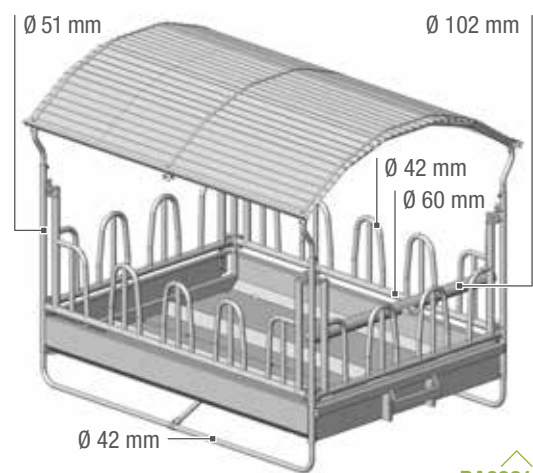
HAY RACK BIG BALE

BIG BALE TYPE FESTON



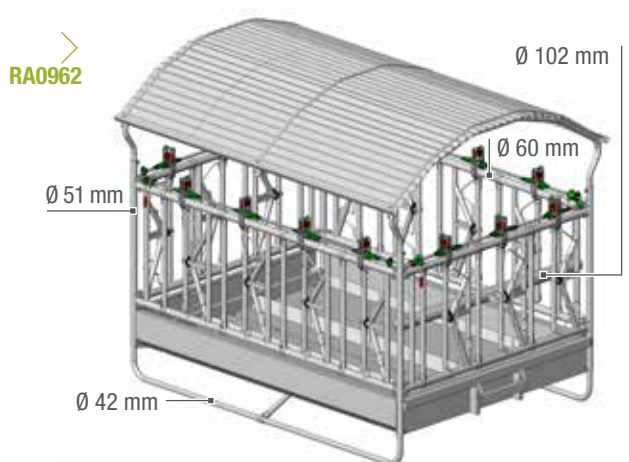
RA0960
Reinforced by an upper framework Ø 60 mm

BIG BALE TYPE P.T.F.



RA0961
High clearance version for heavily horned animals - Beam Ø 60 mm

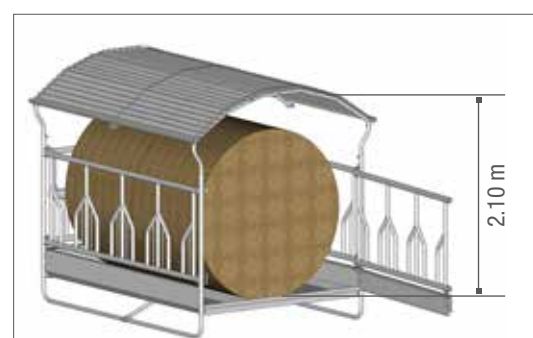
BIG BALE TYPE SAFETY®



RA0962



- 14 SAFETY® IV' headlocks with automatic moving arm return (for dehorned animals)
- Adjustable yoke
- Frame Ø 60 mm



INTEGRAL OPENING ON ALL MODELS

HAY RACK

“BIG BALE” - 2 M X 3 M

- 14 head spaces for feeding, 3 opening sides for 1 square bale or 2 upright round bales.
- Trough thickness 20/10th reinforced with two large folds, and internal counter folds on the 4 sides (injury prevention). Depth 400 mm.
- 1 side with OPENING TROUGH SIDE to ease filling and cleaning.
- Transversal reinforcing with a bar linking the two 2 ski feet.
- Full corrugated steel roof 3 m, thickness 63/100th. Roof reinforced by a central bar, and tube gutters protecting the steel sheets.
- Pivoting three-point linkage Ø 102 mm, skids to enable it to be dragged for short distances.

Only move the hay rack when it is empty. **WHEN TRANSPORTING THE HAY RACK COMPLY WITH THE HIGHWAY CODE.**

- Delivered as a KIT. Flat packed.

RA0960	HAY RACK BIG BALE FESTON	(Pack x 2)	490 kg
RA0961	HAY RACK BIG BALE PTF	(Pack x 2)	475 kg
RA0962	HAY RACK BIG BALE SAFETY® IV	(Pack x 2)	625 kg
RA0967	HAY RACK BIG BALE FOR HORSES	(Pack x 2)	630 kg

4 BIG BALE HAY RACK PACKAGE SIZE

1.60 m x 3.10 m x 1.40 m high. Completely flat packed individually with roof sheets.

PARTS SUPPLIED INDIVIDUALLY

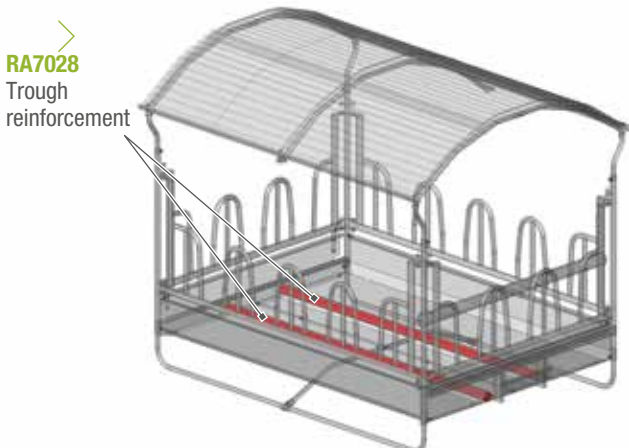
RA0991	Side 4 places Big Bale FESTON	L = 2.77 m	47 kg
RA0995	Side 4 places Big Bale PTF	L = 2.77 m	41 kg
RA0997	Side 4 places Big Bale SAFETY® IV	L = 2.77 m	84 kg
RA0985	Side 5 places hay rack Big Bale HORSES		69 kg
RA0947	Chassis Big Bale without sides	L = 2.77 m	335 kg

OPTIONS

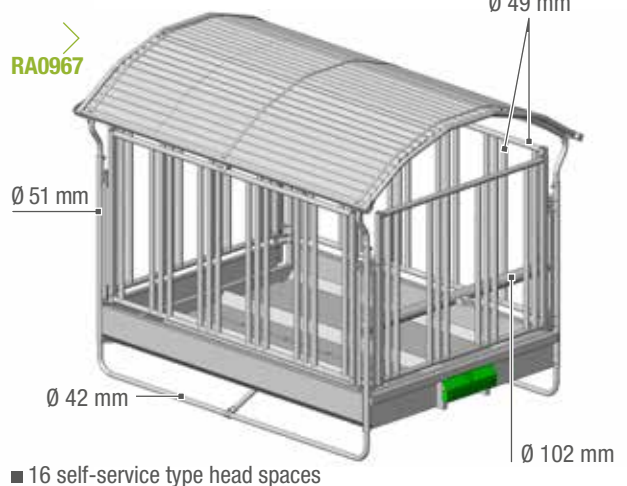
FOR BIG BALE HAY RACKS

(THESE 3 OPTIONS ARE INCLUDED IN THE BIG BALE HORSE HAY RACK RANGE)

RA0976	Integral roof guard for hay rack Big Bale Comprising 2 integral guards.	18 kg
RA0977	Guard three point hitch frame green Comprising a green lower guard and a Ø 20 mm locking pin.	3 kg
RA0986	Guard for hay rack “4 faces” and Big Bale (8 pieces)	12.8 kg
RA7028	Reinforcement for trough hay rack Big Bale ø 70 mm L = 2.80 m (pair)	28 kg



BIG BALE MODEL INTENDED FOR HORSES



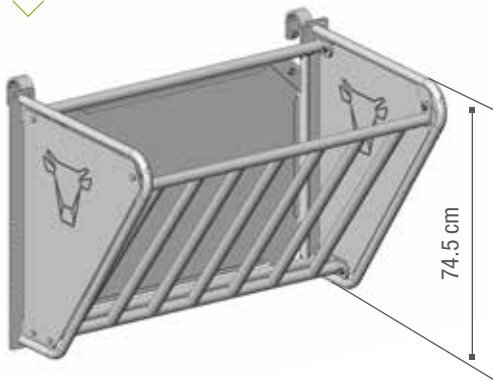
NEW



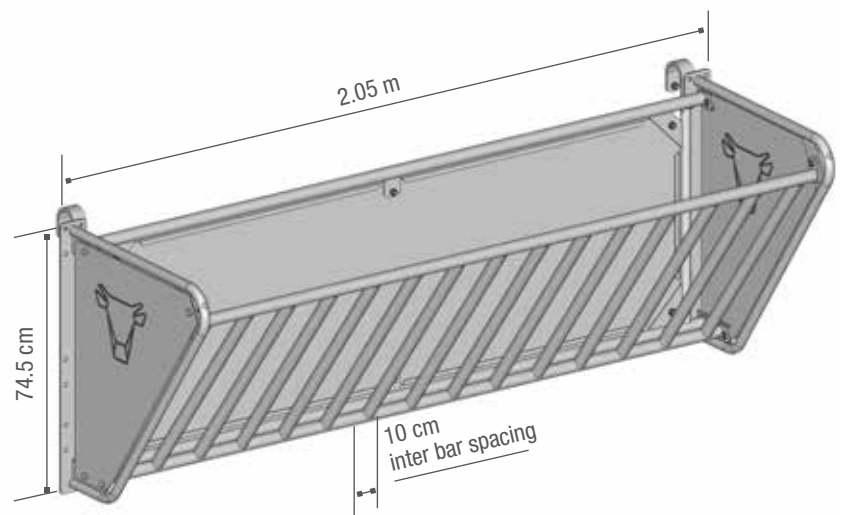
MODULAR COW HAY RACK

MODULAR COW HAY RACK

RA0711 L. 1 m



RA0712 L. 2 m



MODULAR COW HAY RACK

MODULAR HAY RACK FOR ADULT ANIMALS. THE DIFFERENT PARTS ARE BOLTED TOGETHER. IT IS DESIGNED TO BE TOUGH, AND IT IS MADE USING TUBES OF Ø 27 MM AND Ø 34 MM, WITH A STEEL SHEETED BACK. The ends are sheeted for animal safety and the hay rack can be attached to the bars of EX 4 and EX 5 barriers. It can also be wall mounted. The hay rack is delivered in kit form in lengths of 1 m and 2 m.

RA0711 Modular cow hay rack L. 1 m

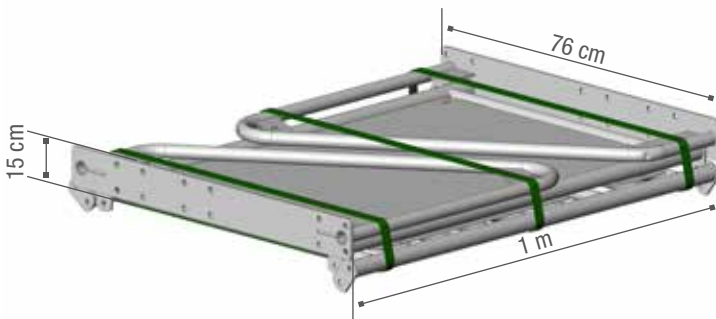
(Pack x 6) 46.3 kg

NEW

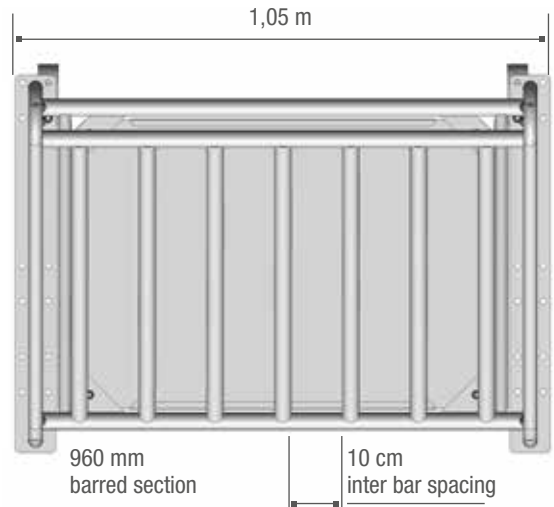
RA0712 Modular cow hay rack L. 2 m

(Pack x 6) 72.2 kg

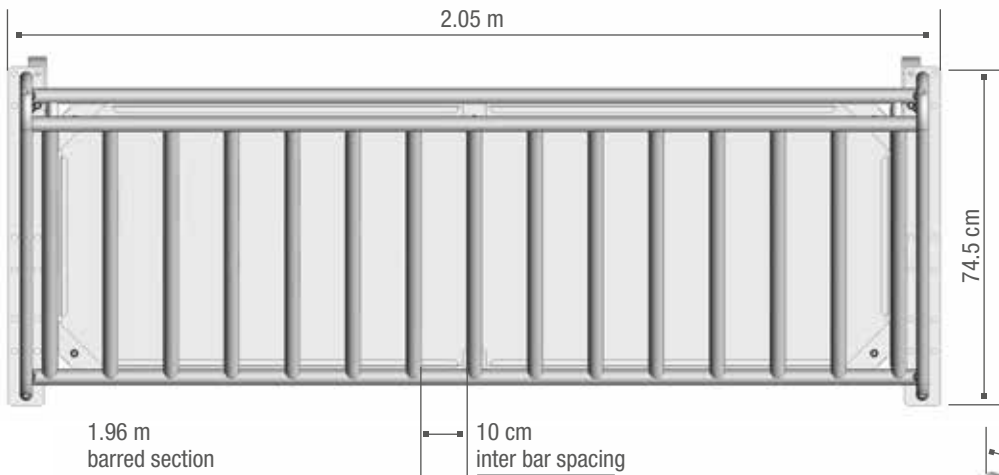
NEW



RA0711

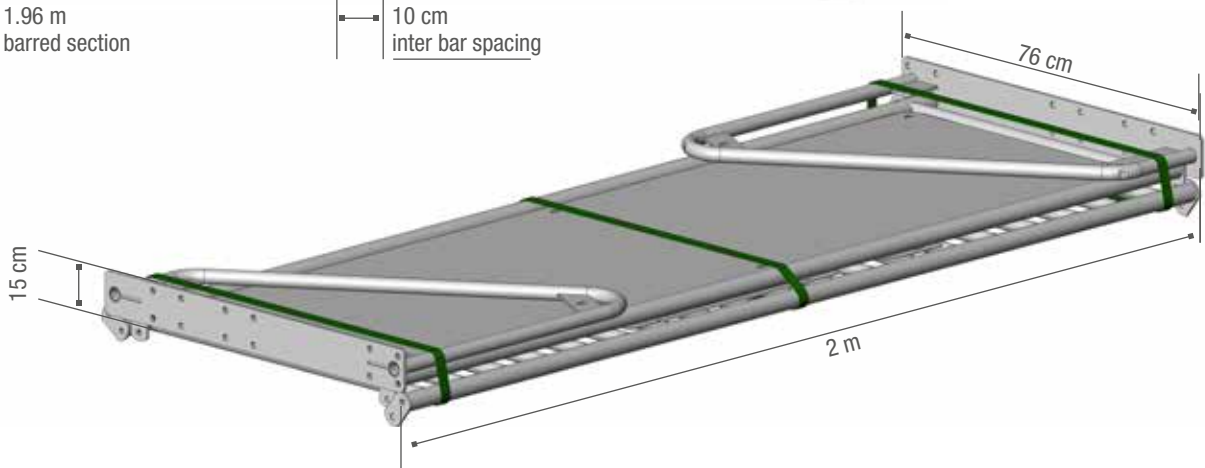


RA0712



1.96 m
barred section

10 cm
inter bar spacing



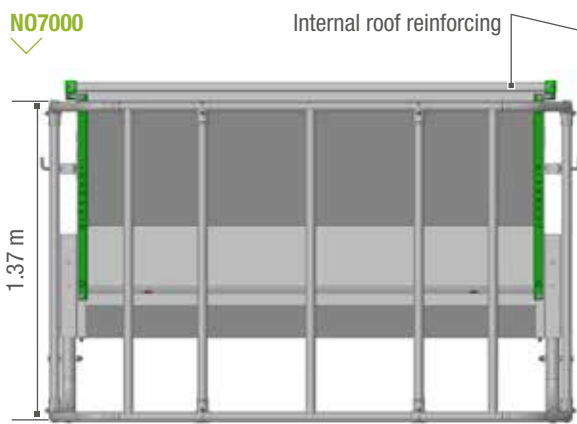


FEEDER

CREEP FEEDER

2,20 M

N07000



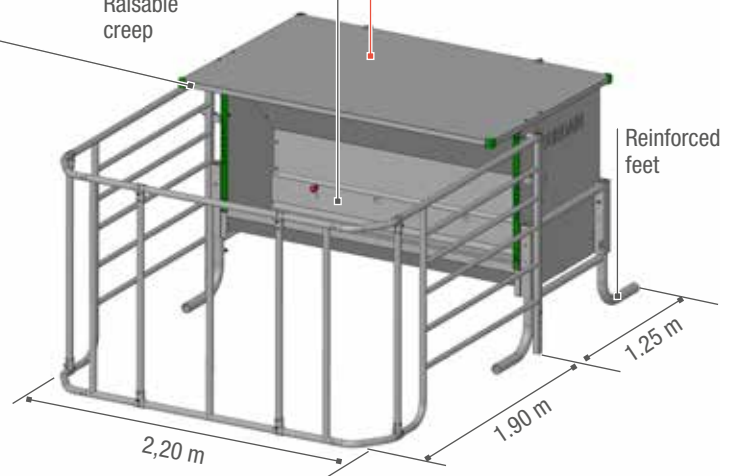
4 Adjustable creep passages

Internal roof reinforcing

Raisable creep

Flow control shutter

capacity 950 Litres



BIG CREEP FEEDER

3 M

N08000

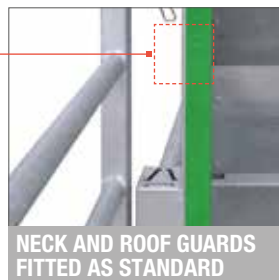
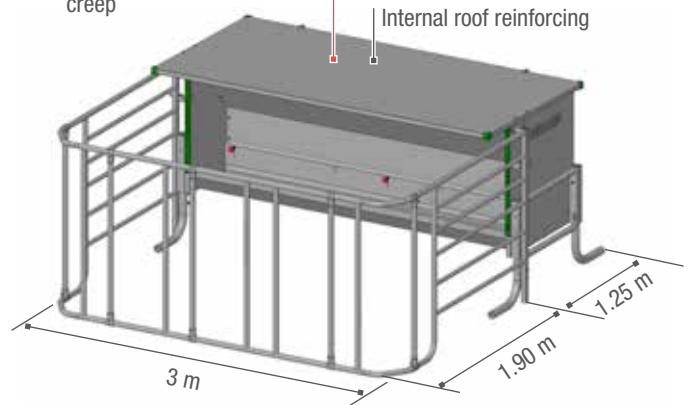


5 Adjustable creep passages

Raisable creep

Capacity 1,350 Litres

Internal roof reinforcing



GALVANISED CREEP FEEDER

BIG ANTI-WASTE TROUGH. It is possible to feed adult cattle, including heavily horned animals either with the calf creep in the raised position or without the creep attached.

- The calf creep height prevents the adult animals from reaching over.
- The anti-waste trough is well sheltered by the overhanging roof. Adjustable flow.
- The back of the feeder can be hitched to a three-point linkage for transport, but only when it is empty with the creep raised.

FOR ROAD TRANSPORT, COMPLY WITH THE HIGHWAY CODE.

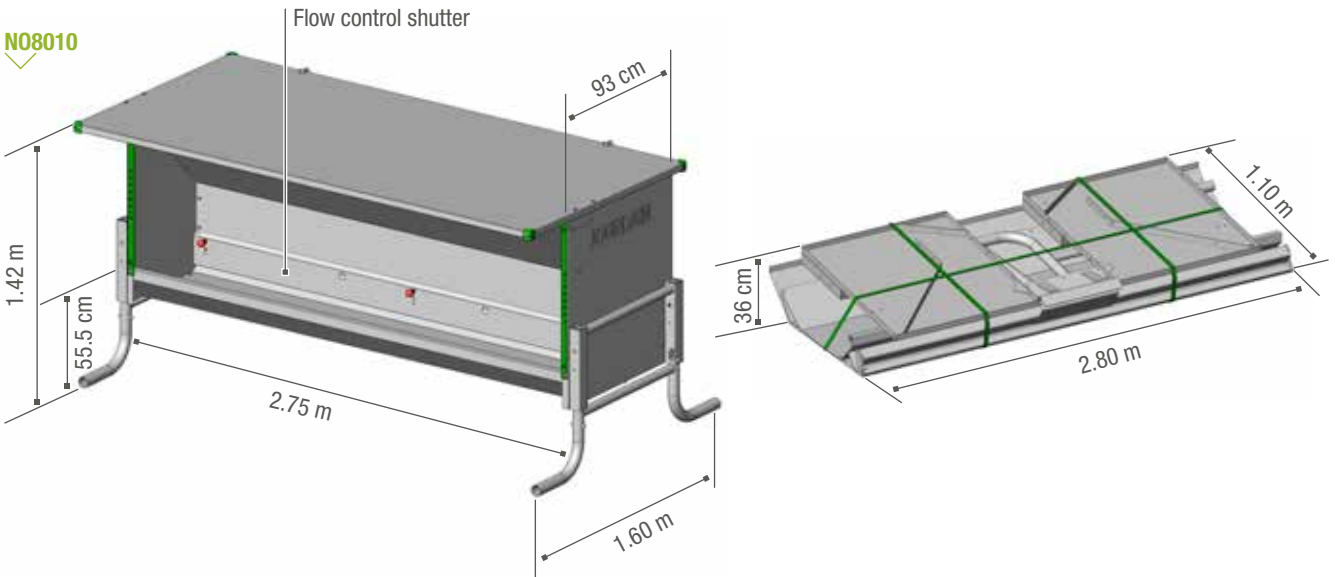
CREEP FEEDER 2.20 M

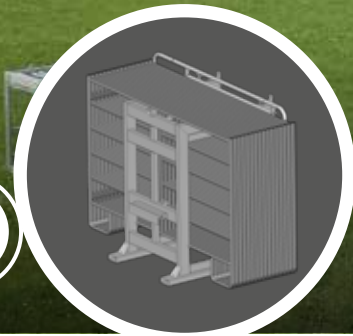
N07000	Creep feeder 2.20 m	(Pack x 2)	333 kg
N07010	Feeder large animal 2 m (Capacity 950 litres)	(Pack x 2)	251 kg
N07020	Creep feeder pen 2.20 m		82 kg

BIG CREEP FEEDER 3 M

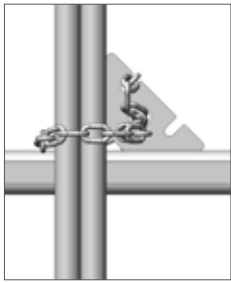
Back reinforced with 70 mm tube for transport when empty.

N08000	Big creep feeder 3m	(Pack x 2)	456 kg
N08010	Big feeder large animal 2.80 m flat packed (Capacity 1,350 litres)	(Pack x 2)	362 kg
N08020	Big creep feeder pen 3 m		94 kg

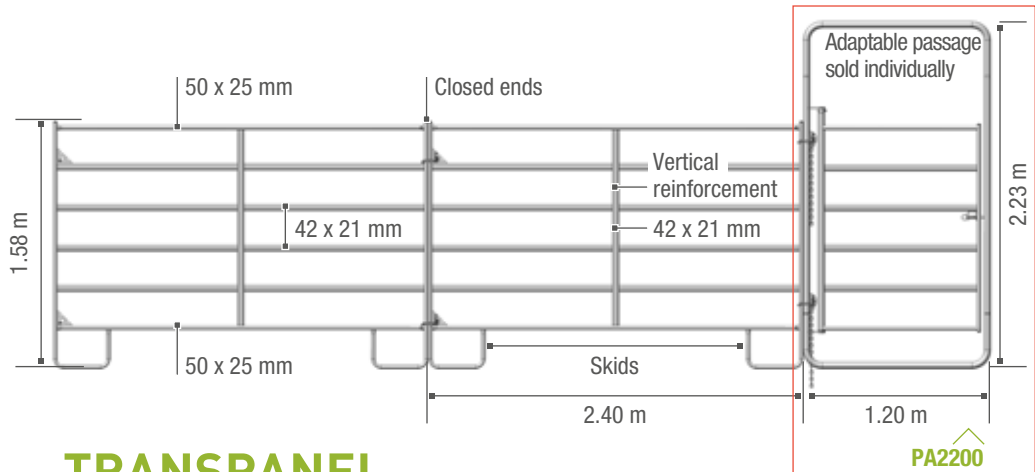




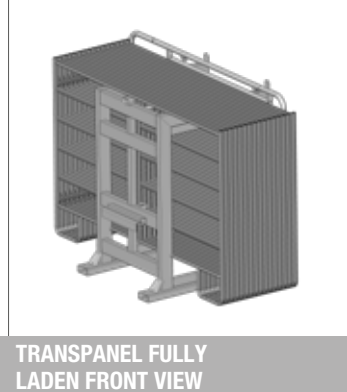
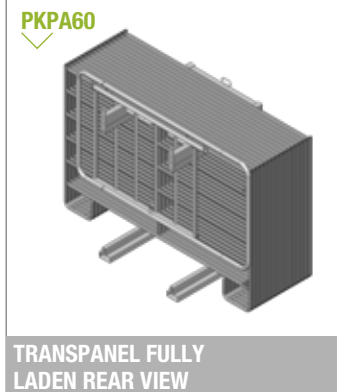
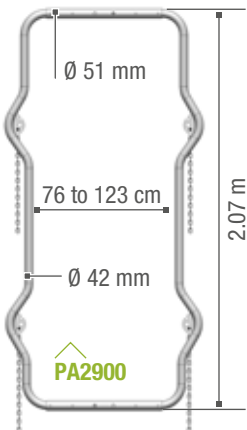
PANEL FOR HANDLING AREAS



ADJUSTABLE PANEL ARC

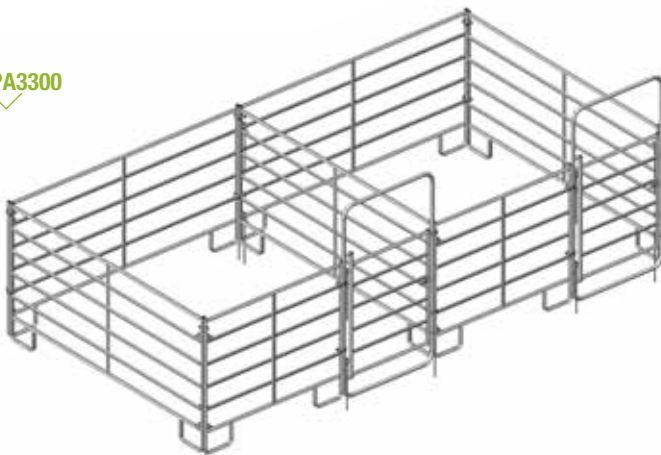


TRANSPANEL

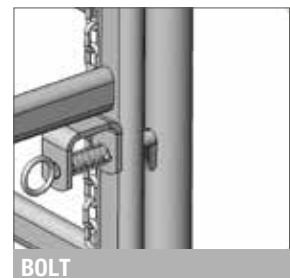
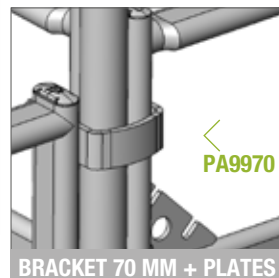
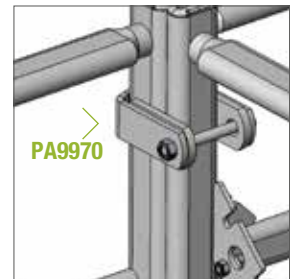
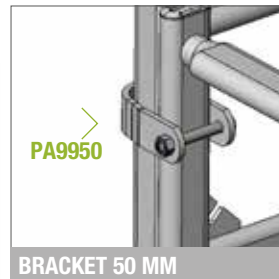


PEN PANEL 3 X 3

PA3300



PA3323
EXTENSION PEN PANEL



LIGHT WEIGHT HANDLING AREA

PANEL

LIGHTWEIGHT CATTLE AND HORSE HANDLING AREA PANEL FOR QUICK AND EASY MOBILE HANDLING AREA ASSEMBLY.

Assembly using chains eases panel attachment and ensures their stability. Their skids enable them to be moved easily. Made from special oval tube, external tubes 50 x 25 mm, internal tubes 42 x 21 mm. Distance between tubes 21 cm. Height: 1.57 m. Dimensions for a lunging arena: 16 panels of 2.40 m = Ø 12 m, 16 panels of 3 m = Ø 15m and 16 panels of 3.60 m = Ø 18 m.

FOR ROAD TRANSPORT, ALWAYS COMPLY WITH THE HIGHWAY CODE.

PANEL

PA2400	Panel 2.40 m - with 1 vertical reinforcement	(Pack x 16)	30 kg
PA3000	Panel 3 m - with 1 vertical reinforcement	(Pack x 16)	35 kg
PA3600	Panel 3.60 m - with 2 vertical reinforcements	(Pack x 16)	41 kg

GATE

FOR PANEL

Length 1.20 m, height: 2.25 m. Can be adapted to suit 3 panel models. Supplied individually.

PA2200	Gate for panel (N.B. 1 panel 2.40 m + 1 gate = 3.60 m)	30 kg
PA2900	Panel arc adjustable	19 kg

TRANSPANEL

For storing and transporting panels. Capacity 16 panels and 1 gate. Transport system: either on three point linkage or on pallet forks. Delivered with a ratchet and strap.

PA0060	Transpanel only	131 kg
---------------	-----------------	--------

TRANSPANEL DELIVERED LOADED FOR AN ECONOMIC PRICE

PKPA60	Transpanel + 16 panels 2.40 m + 1 gate	641 kg
---------------	--	--------

PEN PANEL 3 X 3

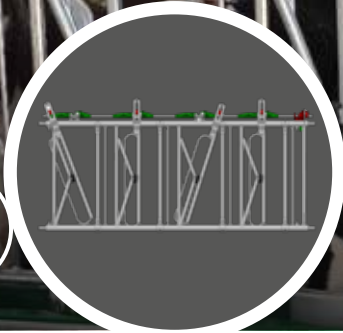
Lightweight, easily moved, suitable for indoor or outdoor use, quick assembly and disassembly, rigid, assembled using brackets.

PA3300	Pen panel 3 x 3 m with passage - Comprising 3 panels 3 m + front	168 kg
PA3323	Extension for pen panel 3 x 3 m- Comprising 2 panels 3 m + front	130 kg
PA1800	Panel 1.80 m (short)	27 kg
PA3318	Pen panel front L. 3 m - Comprising 1 panel 1.80 m + 1 front	60 kg
PA9950	Pair of brackets for holding panel angles Ø 50 mm	0.85 kg
PA9970	Pair of brackets for holding 3 panels Ø 70 mm	2.50 kg
SAC330	Sack panel pen 3 x 3 m	4.50 kg
SAC332	Sack for panel pen extension	3.75 kg





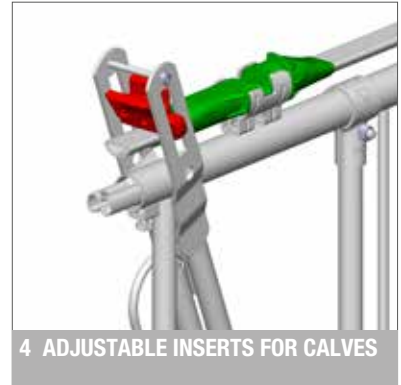
CALF SAFETY® HEADLOCK



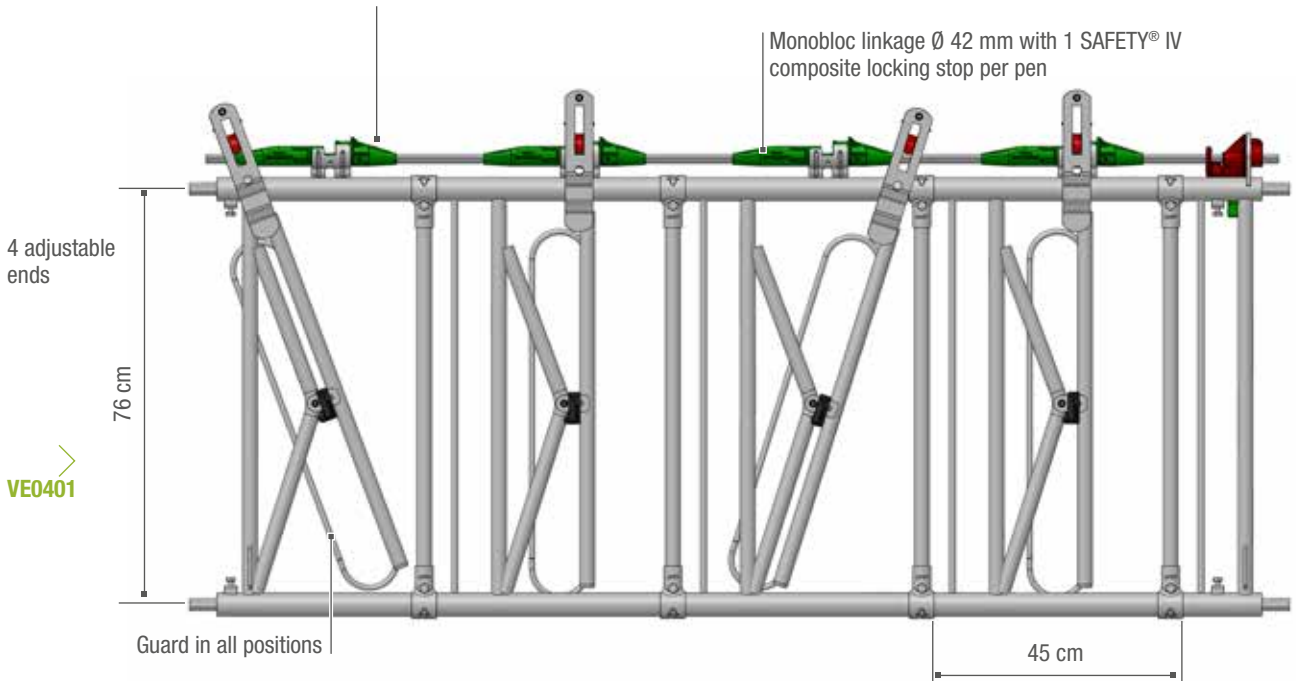
CONTROL HANDLE



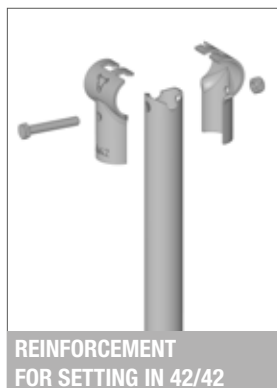
SUPPORT HOUSING WITH INDIVIDUAL CENTRAL LOCKING PER PEN



4 ADJUSTABLE INSERTS FOR CALVES



RETURN TO ZERO (RAZ)



REINFORCEMENT FOR SETTING IN 42/42



STAINLESS STEEL ANTIWEAR BUSH FOR PIVOT

! OUR PANELS OF 4 - 5 - 6 - 8 AND 10 PLACES WITH 3 M PARTITIONS, COMPLY WITH EU STANDARDS: 1.5 m² per calf minimum. It is still advisable to use 4 m partitions with the 8 and 10 place panels..

IMPERATIVE
It is imperative that reinforcements are set in for panels of 4 and 5 metres.

HEADLOCK

CALF SAFETY®

FOR CALVES OF UP TO 6 MONTHS OLD

Calf SAFETY® panels with adjustable yokes, 4 adjustable ends and, **AS AN OPTION**, a folding bucket holder - 45 cm per calf space.

VE0401	Headlock calf SAFETY® IV 4 places	2.12 m	} Post centres	(Pack x 6)	45 kg
VE0402	Headlock calf SAFETY® IV 5 places	2.57 m		(Pack x 6)	55 kg
VE0403	Headlock calf SAFETY® IV 6 places	3.02 m		(Pack x 6)	66 kg
VE0404	Headlock calf SAFETY® IV 8 places	4.02 m		(Pack x 6)	88 kg
VE0405	Headlock calf SAFETY® IV 10 places	5.02 m		(Pack x 6)	120 kg

OPTION

BUCKET HOLDER Ø 37 CM

VE1404	Bucket Holder 4 places (bucket Ø 37 cm)	8.5 kg
VE1405	Bucket Holder 5 places (bucket Ø 37 cm)	10.5 kg
VE1406	Bucket Holder 6 places (bucket Ø 37 cm)	12.5 kg
VE1407	Bucket Holder 8 places (bucket Ø 37 cm)	17 kg
VE1408	Bucket Holder 10 places (bucket Ø 37 cm)	21 kg

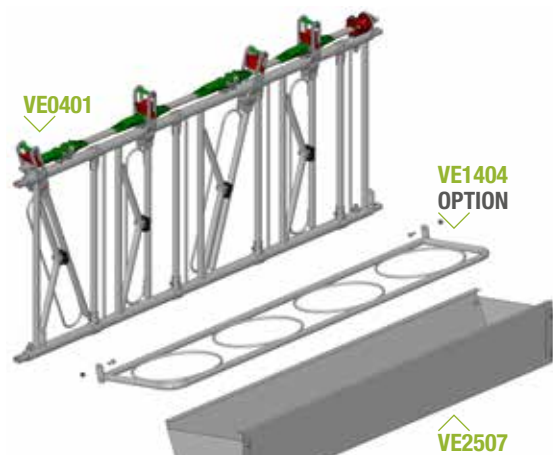
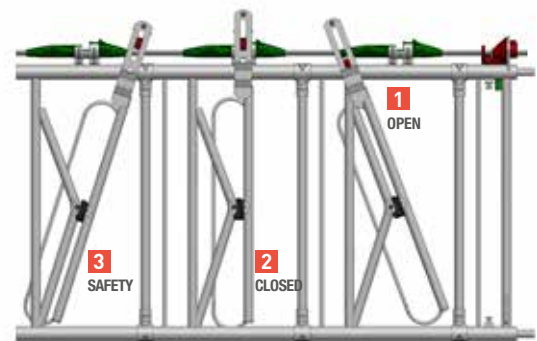
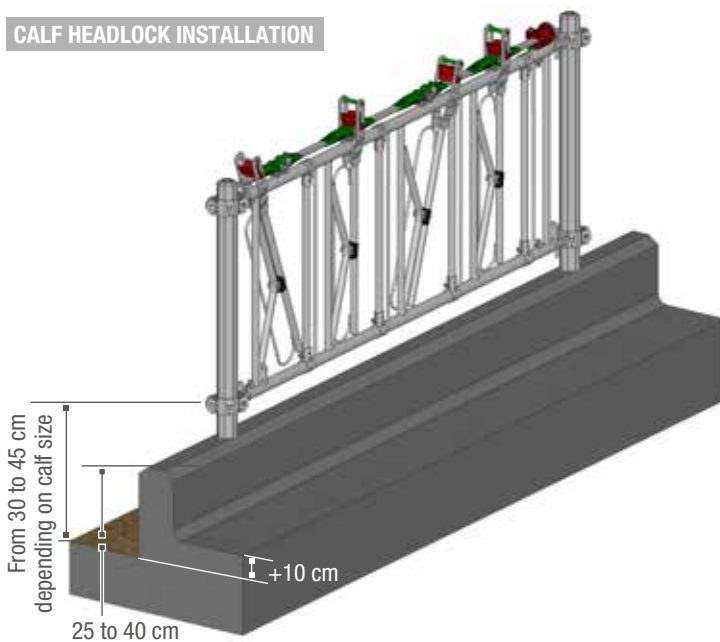
OPTION

STEEL TROUGH

Optional, trough suitable for the bucket holder, made from galvanised steel.

VE2507	Metal trough for HEADLOCK calf - 4 places	17 kg
VE2508	Metal trough for HEADLOCK calf - 5 places	21 kg
VE2509	Metal trough for HEADLOCK calf - 6 places	25 kg
VE2510	Metal trough for HEADLOCK calf - 8 places (2 troughs of 4p.)	34 kg
VE2511	Metal trough for HEADLOCK calf - 10 places (2 troughs of 5p.)	50 kg

CALF HEADLOCK INSTALLATION



! THE OPTIONAL STEEL BUCKET HOLDER
is made for buckets with a diameter of Ø 37 cm.



REVERSE TROUGH

OPTION

REVERSE TROUGH

STEEL FRAME WITH A HDPE calf trough molded to give a bucket shape Ø 28.5 cm Easily turned for cleaning.

YouTube ENTER JOURDAIN



VE2404	Reverse trough for buckets - 4 places	17.5 kg
VE2405	Reverse trough for buckets - 5 places	21 kg
VE2406	Reverse trough for buckets - 6 places	25 kg
VE2407	Reverse trough for buckets - 8 places	35 kg
VE2408	Reverse trough for buckets - 10 places	42 kg

OPTION		
VE2545	Bucket 12 Litre Ø 28.5 cm	(Pack x 4) 0.55 kg

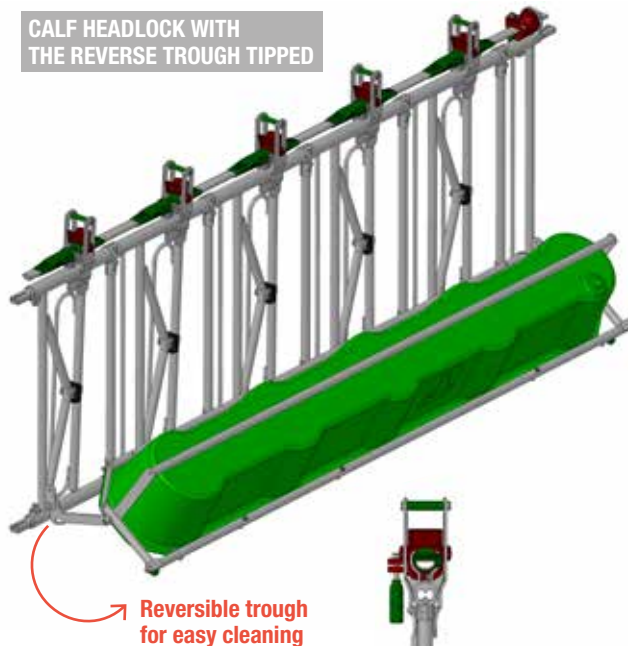
CALF HEADLOCK WITH A REVERSE TROUGH AT THE BOTTOM



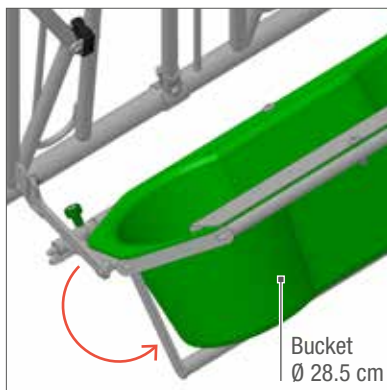
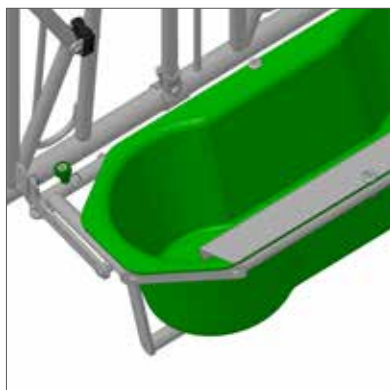
VE0402
HEADLOCK

VE2405
OPTION
Reverse trough

CALF HEADLOCK WITH THE REVERSE TROUGH TIPPED



Reversible trough for easy cleaning



Bucket
Ø 28.5 cm



Reverse trough tipped for cleaning



MODULE CALF

MODULE CALF

To use with support frame Ø 42 mm.

M00300 Standard calf SAFETY® module place up to 450 mm/place 7.5 kg

END BAR

Allow an end with a linkage guide per module.

M00320 End bar module calf 1.9 kg

SUPPLEMENTARY CALF BAR

Allow an adjustable supplementary bar per 150 mm section over 450 mm per place.

M00310 Bar supplementary for calves 1.6 kg

SUPPORT FRAME Ø 42 MM

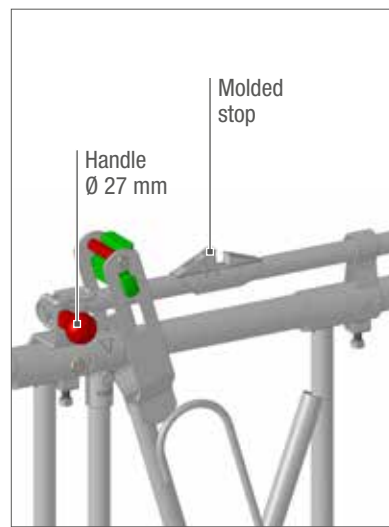
M00336 Frame 2 m Ø 42 mm 10 kg

M00337 Frame 3 m Ø 42 mm 15 kg

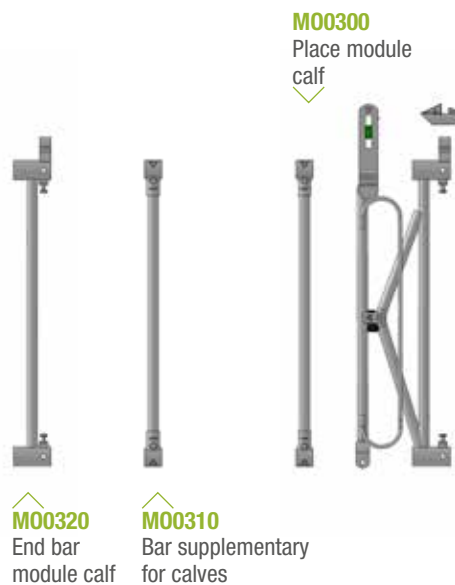
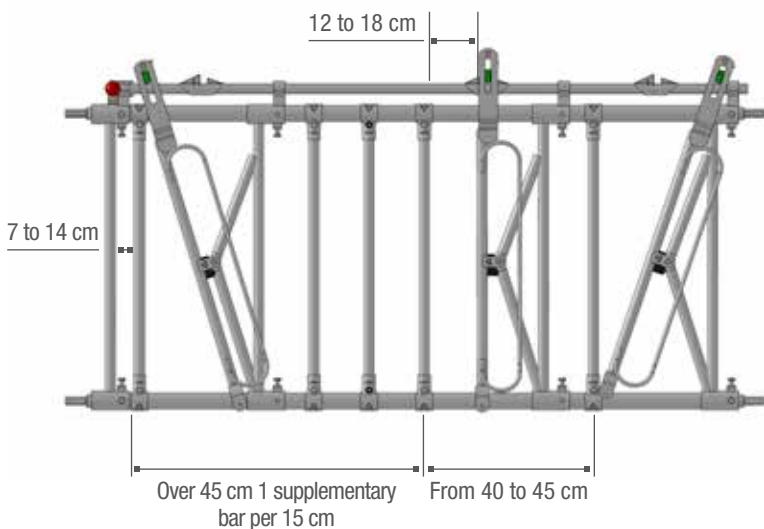
M00338 Frame 4 m Ø 42 mm (with intermediate reinforcement) 20 kg

M00339 Frame 5 m Ø 42 mm (with intermediate reinforcement) 25 kg

VE2790 Calf end Ø 34 mm (unit) 0.4 kg



SUPPORT FRAME Ø 42 mm
 (2 tubes Ø 42 mm,
 1 control linkage Ø 27 mm,
 1 handle Ø 27 mm,
 4 calf ends)





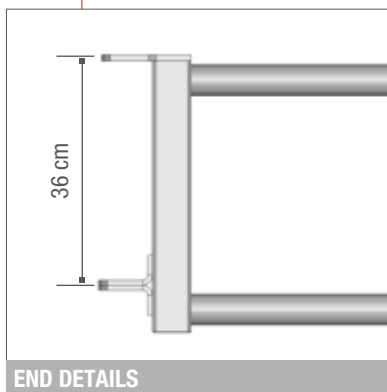
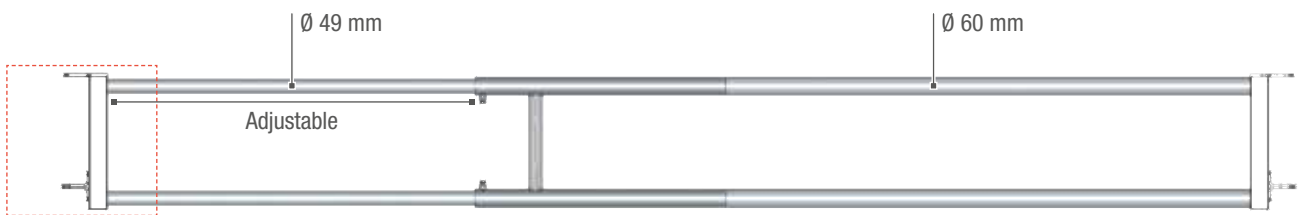
CALVES FEED RAIL 2 BARS

CALF FEED RAIL 2 BARS

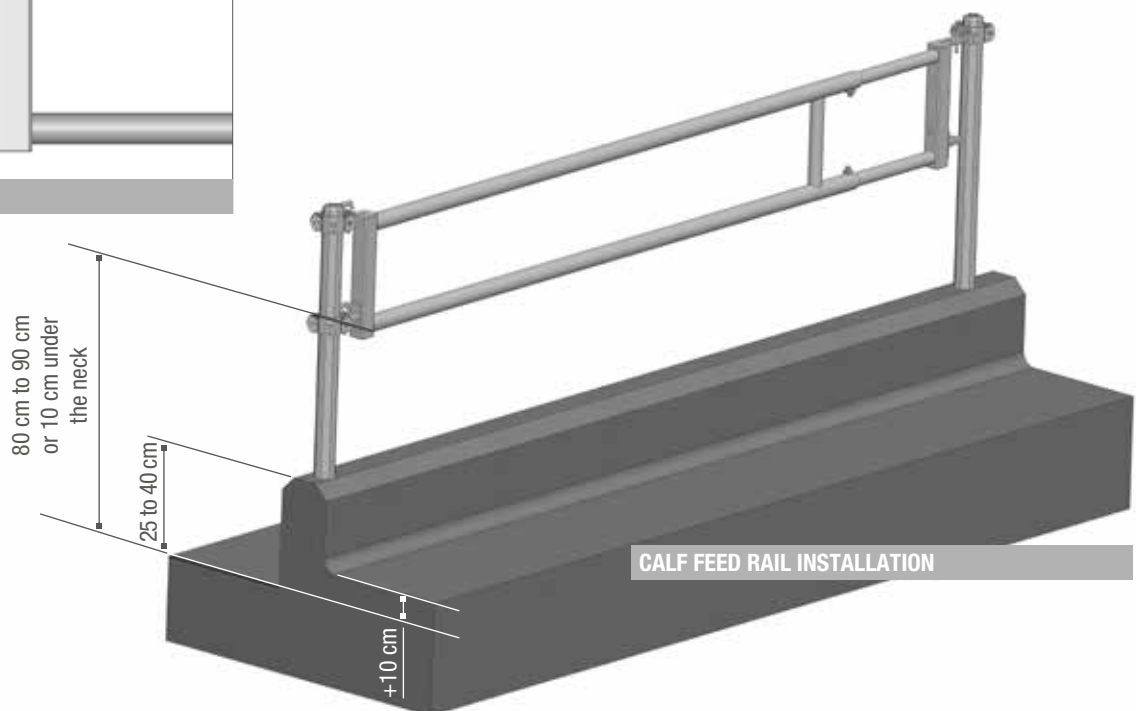
FOR CALVES OF UP TO 6 MONTHS

The back section is made using \varnothing 60 mm tube and the adjustable front section \varnothing 49 mm.

L03195	2 bar calves feed rail 2 / 3 m (1 spacer)	26 kg
L03196	2 bar calves feed rail 3 / 4 m (1 spacer)	34 kg
L03197	2 bar calves feed rail 4 / 5 m (2 spacers)	42 kg
L03198	2 bar calves feed rail 5 / 6 m (2 spacers)	50 kg



! THE SIZES ARE GIVEN AS AN INDICATION.
Please adapt them to suit the size of your stock.





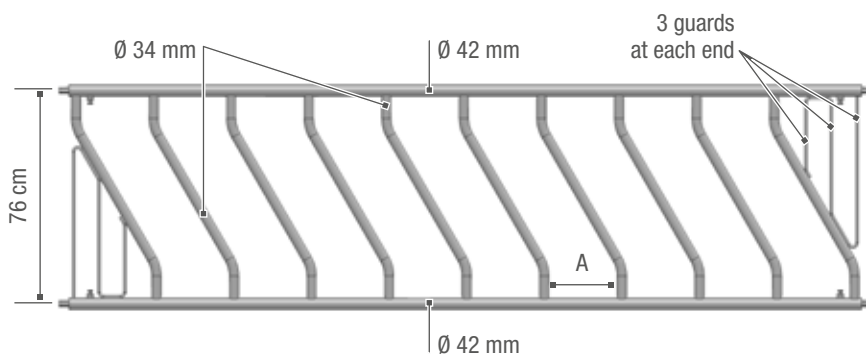
DIAGONAL CALF



DIAGONAL CALF FOR CALVES UP TO 6 MONTHS OLD

Diagonal panel limiting wastage at the trough. The 4 and 5 m panels are delivered with a reinforcement to be set in.

VE2601	Panel diagonal calves 5P. / 2.12m	22 kg
VE2602	Panel diagonal calves 7P. / 2.57 m	27 kg
VE2603	Panel diagonal calves 9P. / 3.02 m	32 kg
VE2604	Panel diagonal calves 12P. / 4.02 m	40 kg
VE2605	Panel diagonal calves 16P. / 5.02 m	55 kg



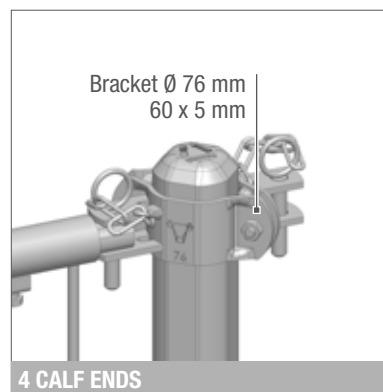
DIAGONAL CALVES	A
5 places 2.12 m	27 cm
7 places 2.57 m	25 cm
9 places 3.02 m	24 cm
12 places 4.02 m	25 cm
16 places 5.02 m	24 cm



DIAGONAL CALF INSTALLATION

IMPERATIVE

It is imperative that reinforcements are set in for panels of 4 and 5 metres.





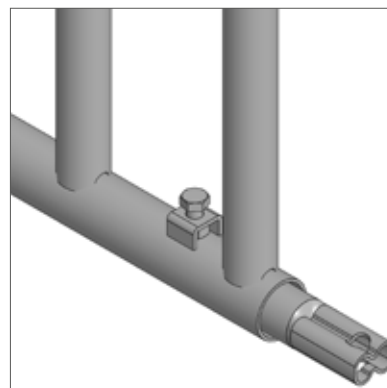
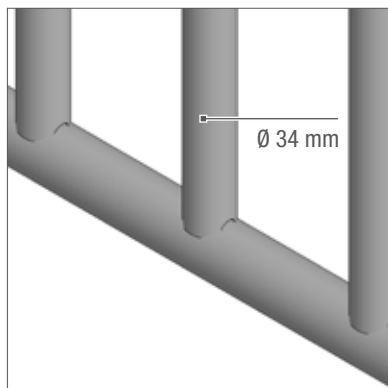
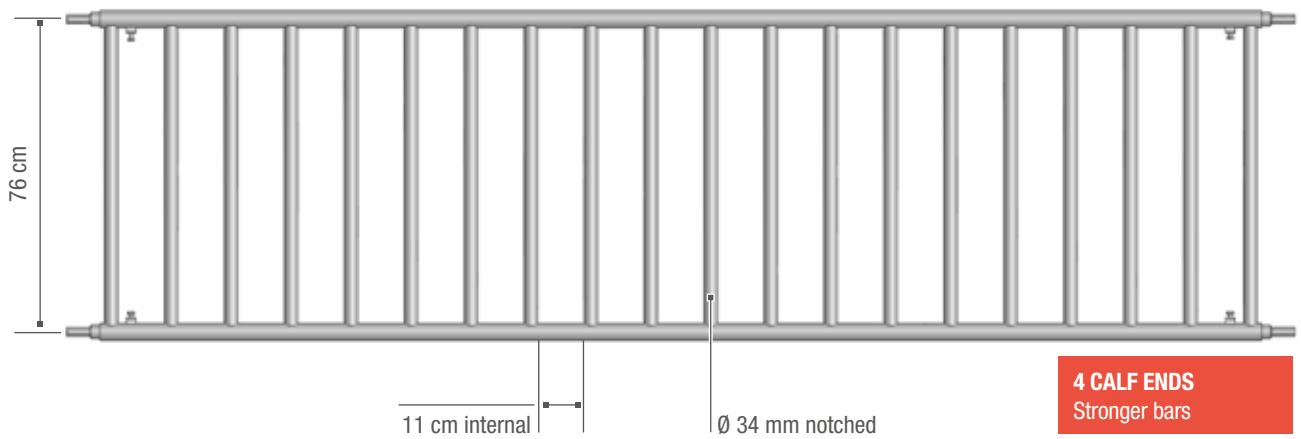
SEPARATION CALF

SEPARATION

CALF

DEMOUNTABLE AND OPENS IN BOTH DIRECTIONS. It is possible to shorten it for installation. With 4 adjustable ends. Overall size = 800 mm.

VE2770	Separation calves 3 m	} Centre/Centre/post	(Pack x 6)	30 kg
VE2772	Separation calves 4 m		(Pack x 6)	44 kg
VE2774	Separation calves 5 m		(Pack x 6)	57 kg





GATE CALF

GATE

CALF

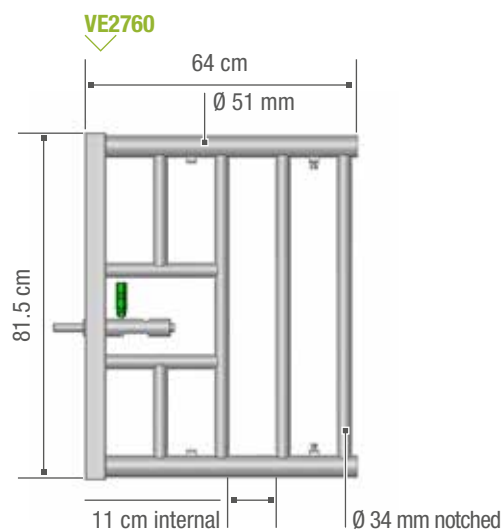
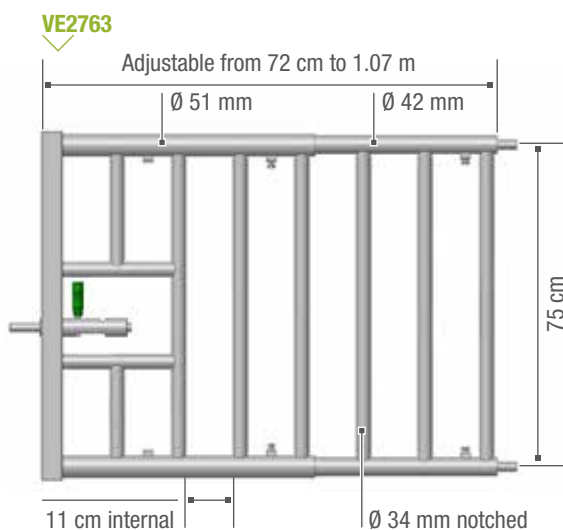
VERTICALLY BARRED CALF GATE L. 1.30 M CENTRE / POST CENTRE, IT CAN BE SHORTENED BY CUTTING THE FRONT SECTION.
 Fitted with an AUTOLOCK bolt, it provides easy entry into calf pens. After cutting the front part can be adapted to fit a partition to enable it to open.

VE2763 Small gate for calf H. 80 cm L. 1.30 m

21 kg

VE2760 Front small gate for calf H. 80 cm

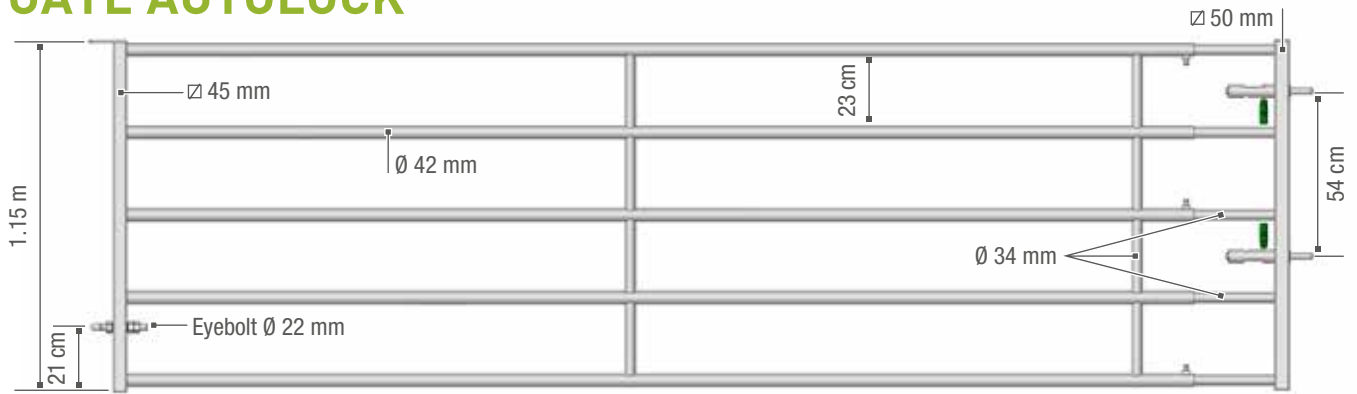
13 kg



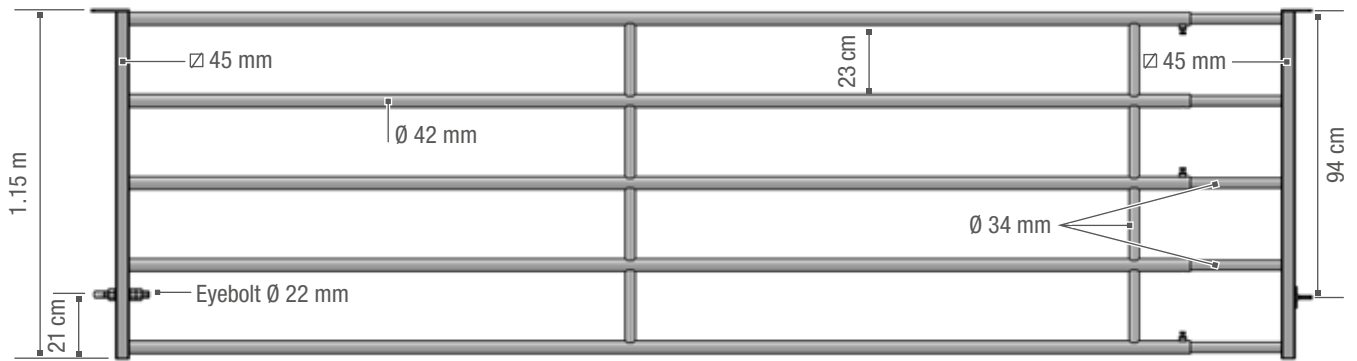


FIELD GATE

FIELD GATE AUTOLOCK



FIELD PANEL



FIELD

BARRIER

Made from Ø 42 mm tube. Telescopic section Ø 34 mm. Spacers Ø 34 mm machined to provide a jawed end, 3 tightening points, reinforced eyebolts Ø 22 mm with 3 nuts passing through a steel bush. Raised easily by turning.

FIELD GATE AUTOLOCK

BH4304	Field gate AUTOLOCK 2/3 m	42 kg
BH4305	Field gate AUTOLOCK 3/4 m	55 kg
BH4306	Field gate AUTOLOCK 4/5 m	70 kg
BH4307	Field gate AUTOLOCK 5/6 m	82 kg

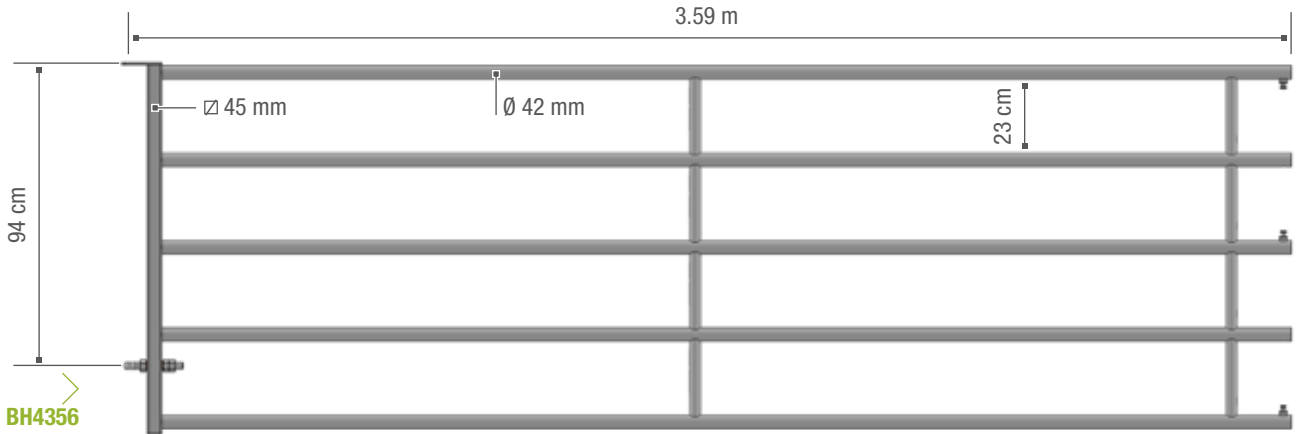
FIELD PANEL

Ideally suited for calf fattening pens.

BH4309	Field panel 2/3 m	42 kg
BH4310	Field panel 3/4 m	53 kg
BH4311	Field panel 4/5 m	68 kg
BH4312	Field panel 5/6 m	80 kg



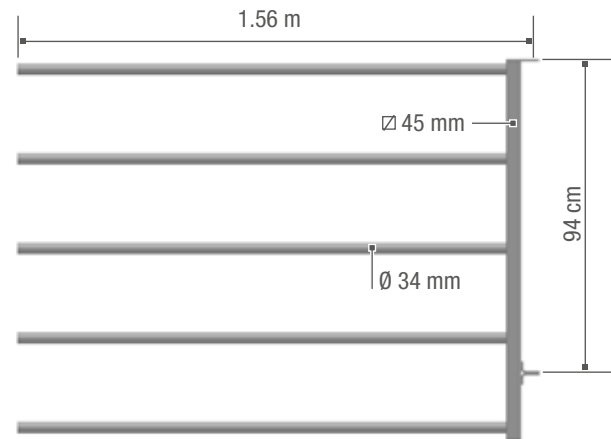
FIELD GATE BACK



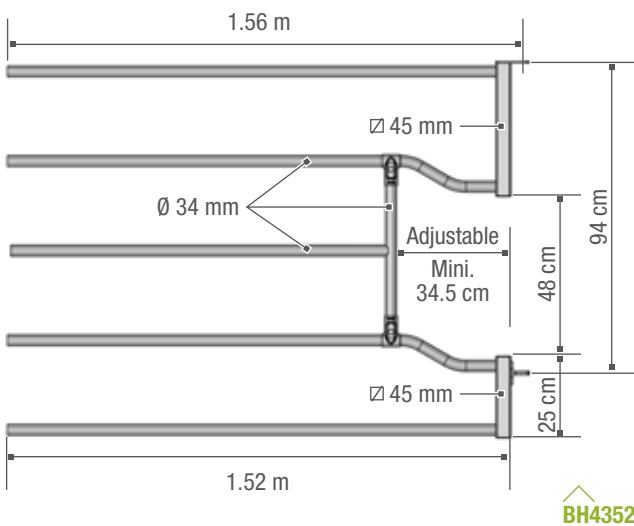
FIELD GATE FRONT AUTOLOCK



FIELD PANEL FRONT



FIELD FRONT WITH RECESS

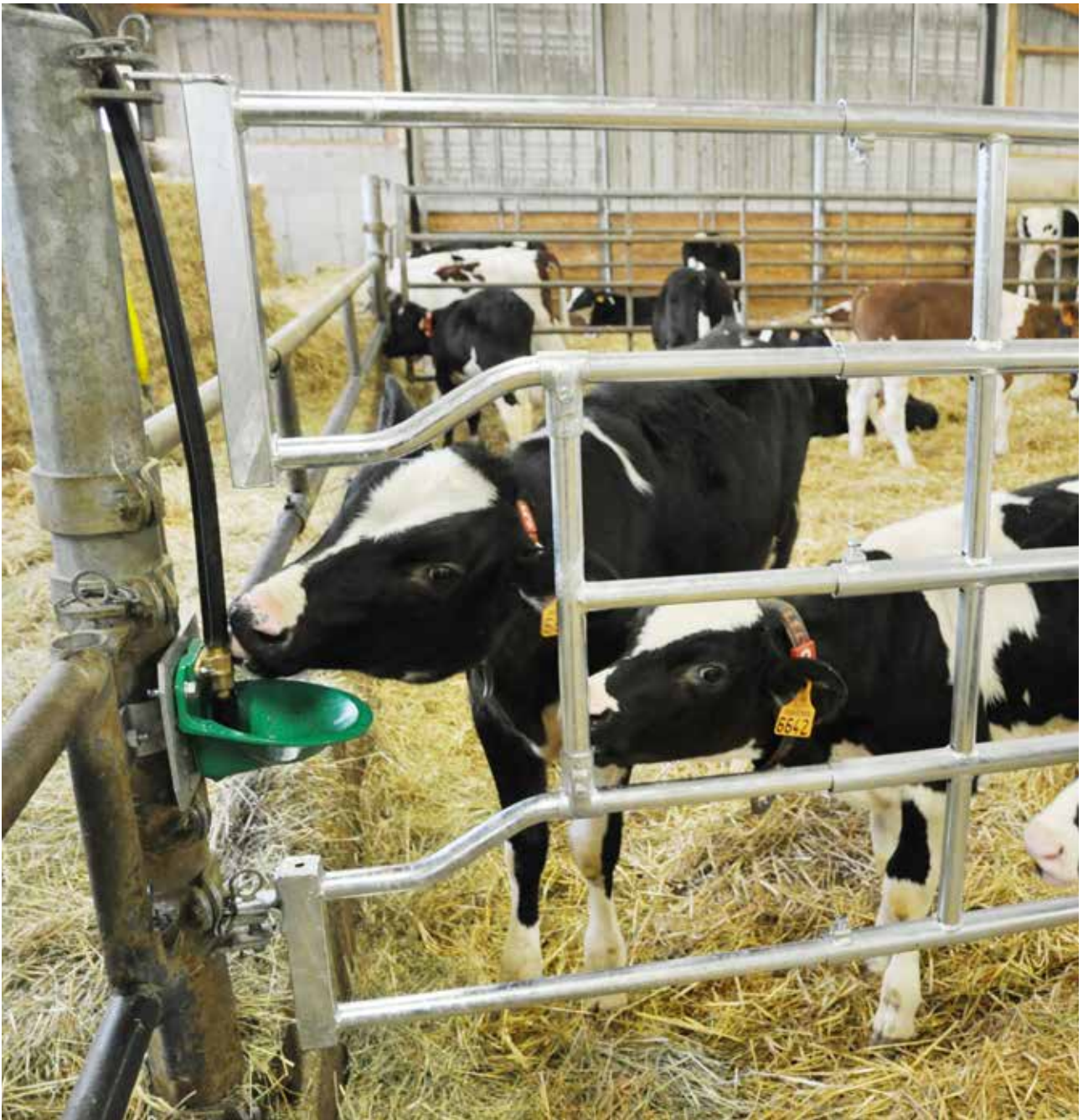


FIELD GATE BACK

BH4354	Field back 2/3 m (1,59 m axis/pin)	(Pack x 14)	22 kg
BH4355	Field back 3/4 m (2,59 m axis/pin)	(Pack x 14)	35 kg
BH4356	Field back 4/5 m (3,59 m axis/pin)	(Pack x 14)	50 kg
BH4357	Field back 5/6 m (4,59 m axis/pin)	(Pack x 14)	62 kg

FIELD GATE FRONT

BH4353	Field front AUTOLOCK (1.52 m)	(Pack x 14)	20 kg	NEW
BH4351	Field panel front (1.56 m)	(Pack x 14)	18 kg	
BH4352	Field panel front with recess drinker Ideally suited for calf fattening pens (1.56 m)		18 kg	



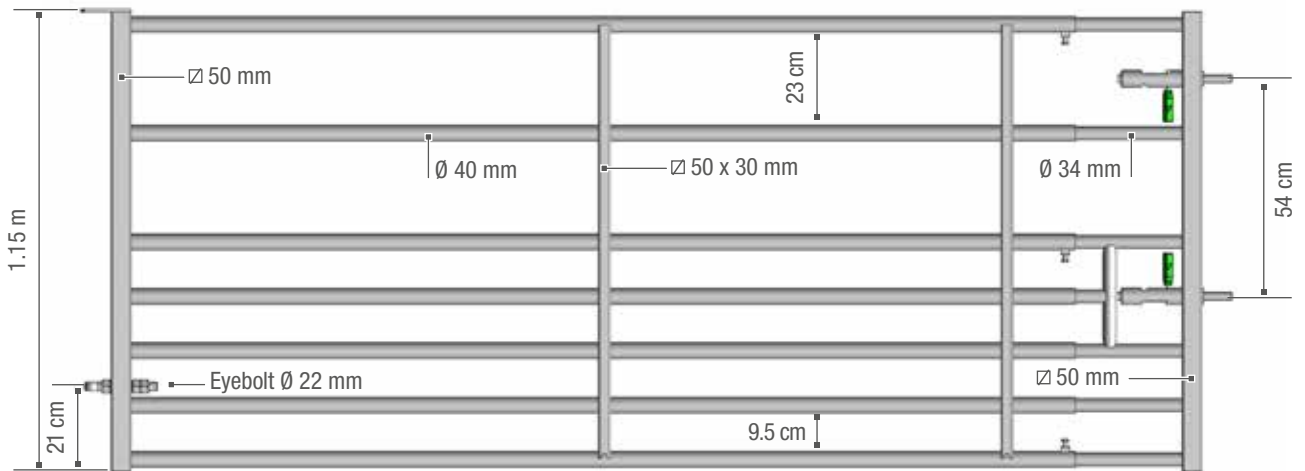


SEVEN BAR GATES

SMALL ANIMALS

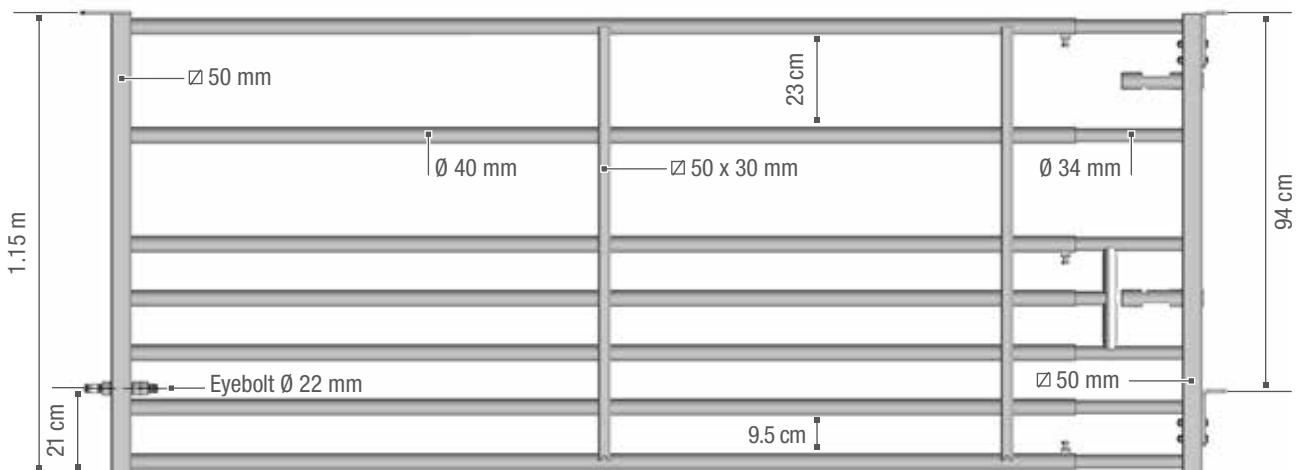
GATE

BP0703



PANEL

BP0713



SEVEN BAR GATES

SMALL ANIMALS

MADE FROM TUBE Ø 40 MM, THICKNESS 1.5 MM, THE ROUND TUBES GO THROUGH THE SQUARE TUBE SPACER 50 X 30 MM FOR ADDED STRENGTH. The front section in Ø 34 mm tube is a universal front for panels or gates with two autolock bolts depending on the sack of nuts and bolts. Being adjustable this barrier is extremely practical when used in a building as part of a pen for calves, sheep or goats. It is also suitable for yard and field entrances.

GATE

BP0701	Gate 7 bars small animals L.1/2 m	(Pack x 7)	36 kg
BP0702	Gate 7 bars small animals L.2/3 m	(Pack x 14)	46 kg
BP0703	Gate 7 bars small animals L.3/4 m	(Pack x 14)	57 kg
BP0704	Gate 7 bars small animals L.4/5 m	(Pack x 14)	69 kg
BP0705	Gate 7 bars small animals L.5/6 m	(Pack x 14)	79 kg

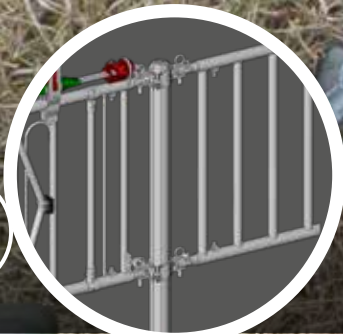
PANEL

BP0711	Panel 7 bars small animals L.1/2 m	(Pack x 7)	35 kg
BP0712	Panel 7 bars small animals L.2/3 m	(Pack x 14)	45 kg
BP0713	Panel 7 bars small animals L.3/4 m	(Pack x 14)	56 kg
BP0714	Panel 7 bars small animals L.4/5 m	(Pack x 14)	68 kg
BP0715	Panel 7 bars small animals L.5/6 m	(Pack x 14)	78 kg

BOLT AND NUTS SACK

SAC552	Sack for small animal panel front	1.2 kg
SAC182	Sack front EX 4 - EX 5 AUTOLOCK	1.7 kg

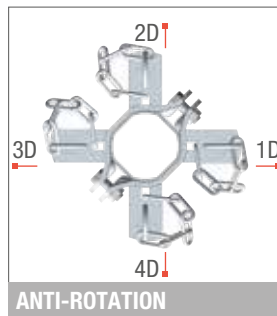
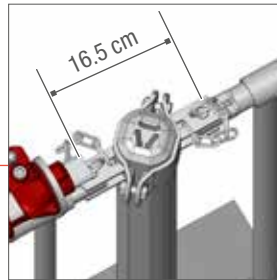
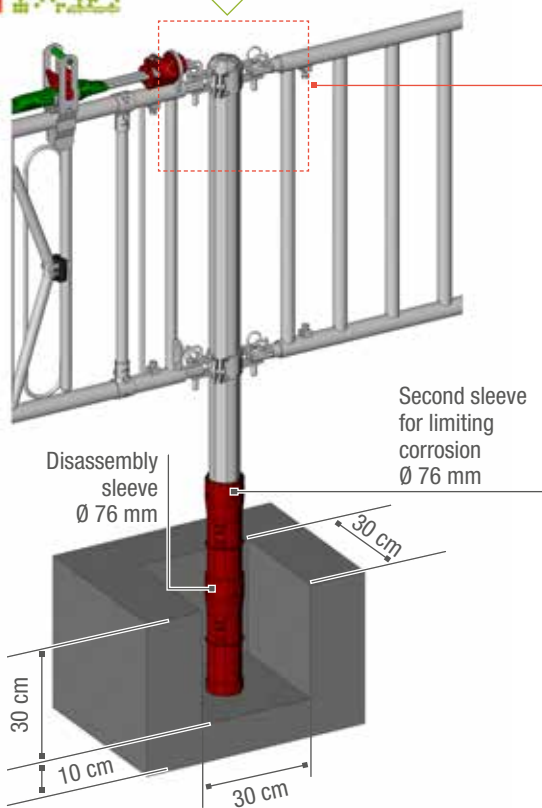




POSTS AND FITTINGS

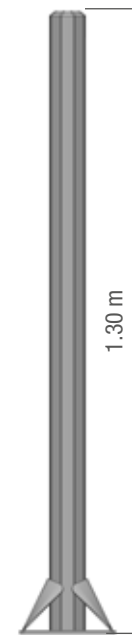


TR2580
Post OCTAGONAL
bare



ANTI-ROTATION

! ATTENTION!
Pay attention to the direction when setting in the post. The round part shows the direction



TR2590
Post
OCTAGONAL
on base bare

TR1611
Sleeve lid
Ø 76 mm



TR4176
Sleeve
OCTAGONAL
Ø 76 mm with
seal and base
(height 31 cm)



VE2790
Calf end

DETAILS FOR SETTING IN WITH AN OCTAGONAL SLEEVE



TR2595
Bracket
OCTAGONAL
1 way Ø 76 mm



TR2596
Bracket
OCTAGONAL
2 way Ø 76 mm



TR2597
Bracket
OCTAGONAL
3 way Ø 76 mm



TR2598
Bracket
OCTAGONAL
4 way Ø 76 mm



TR2599
Bracket
OCTAGONAL
2 way L form
Ø 76 mm

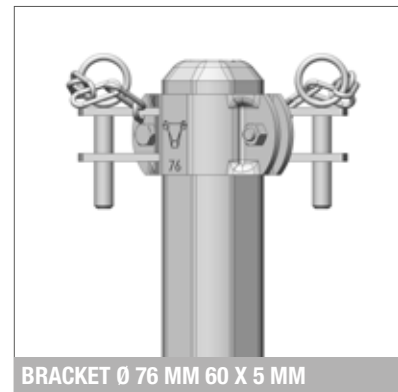
INSTALLATION ADVICE: Never set in an octagonal sleeve on its own. Always set it in with the post fitted, paying attention to the direction of the post and its brackets. The sleeve is marked 1D, 2D, 3D, 4D in order for it to be set in facing the right way. Install the corrosion limiting sleeves before setting in the post.

OCTAGONAL POST TO BE SET IN Ø 76 MM

TR2580 Post OCTAGONAL bare Ø 76mm L. 1.65 m 8 kg

OCTAGONAL POST PLATE-MOUNTED Ø 76 MM

TR2590 Post OCTAGONAL on base bare Ø 76 mm L. 1.30 m 10 kg



BRACKET Ø 76 MM 60 X 5 MM

OCTAGONAL BRACKET Ø 76 MM 60 X 5 MM

FOR OCTAGONAL POST Ø 76 MM

TR2595 OCTAGONAL bracket Ø 76 mm 1 direction 1.2 kg
TR2596 OCTAGONAL bracket Ø 76 mm 2 directions 1.6 kg
TR2597 OCTAGONAL bracket Ø 76 mm 3 directions 1.9 kg
TR2598 OCTAGONAL bracket Ø 76 mm 4 directions 2.2 kg
TR2599 OCTAGONAL bracket Ø 76 mm 2 directions in L 1.5 kg

ROUND BRACKET Ø 76 MM

WITH REINFORCED SIDE 60 X 5 MM

VE3178 ROUND bracket Ø 76 mm SURLOCK® single bolt support 1.5 kg
VE2579 ROUND bracket Ø 76 mm AUTOLOCK double bolt support 2.4 kg

NEW



VE2579

ROUND bracket Ø 76 mm
AUTOLOCK double bolt support

FITTINGS

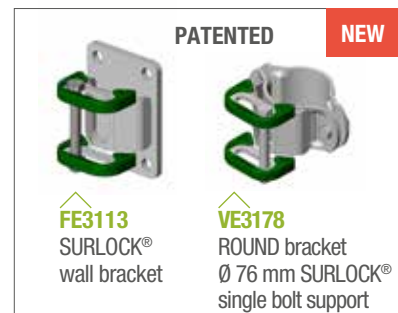
BOLT BRACKET

FE3113 SURLOCK® wall bracket (pair) 3 kg

NEW

CALF ACCESSORIES

VE2790 Supplementary calf standard (unit) 0.4 kg



PATENTED

NEW

FE3113
SURLOCK®
wall bracket

VE3178
ROUND bracket
Ø 76 mm SURLOCK®
single bolt support

OCTAGONAL SLEEVE

FOR OCTAGONAL POST Ø 76 MM

TR4176 Sleeve OCTAGONAL red Ø 76 mm (Pack x 30) 0.4 kg
TR1611 Sleeve lid Ø 76 mm 1 kg

BITUMINOUS PAINT

TR0005 Bituminous paint container 5 litres (0.5l/m²) 5 kg

! **IMPORTANT!** In order to prevent corrosion steel in zinc due to prolonged contact with silage, slurry or muck, it is recommended that bituminous paint TR0005 should be applied before use, and periodically thereafter, in order to protect the equipment: post feet, barrier and cubicle bottoms, knee bars, brackets...

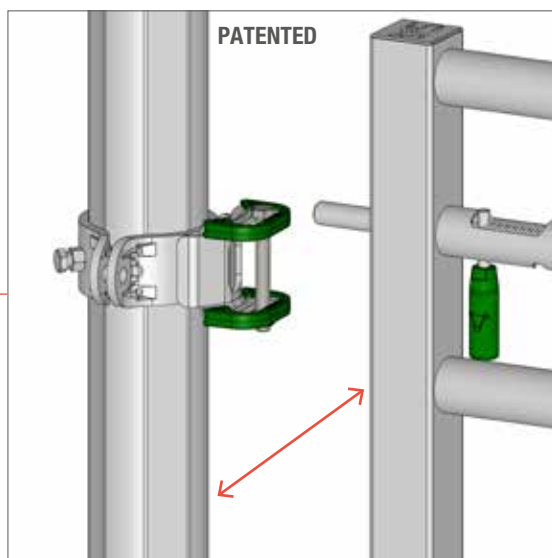
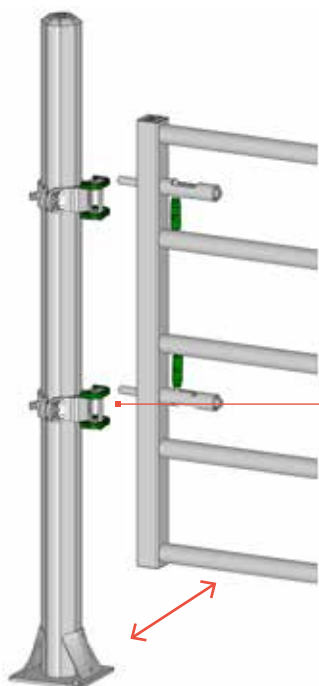
NEW



SURLOCK®

Ø 76 MM AND FITTINGS

YouTube ENTER JOURDAIN



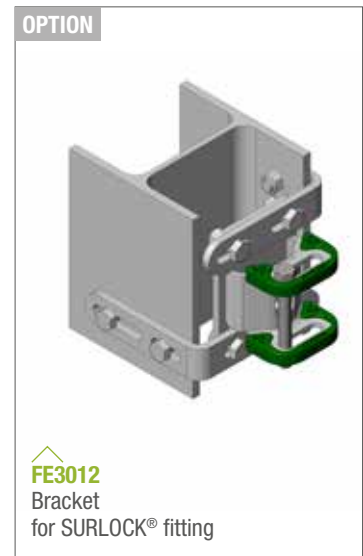
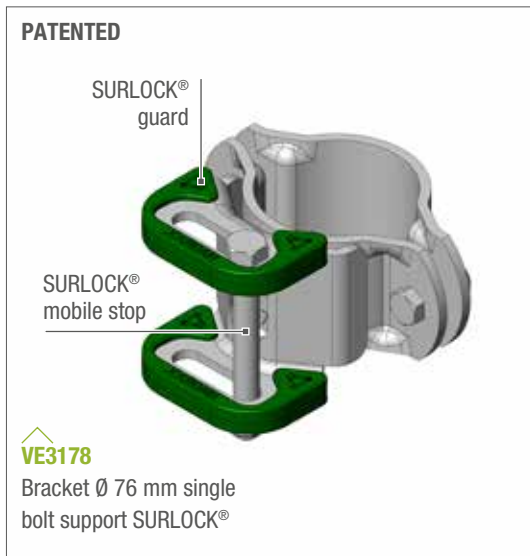
SURLOCK®



THE SURLOCK® ASSOCIATED WITH AN AUTOLOCK GATE FRONT GUARANTEES THAT THE GATE IS LOCKED WHEN IT IS SLAMMED SHUT. The SURLOCK® works for left hand and right-hand opening thanks to the mobile SURLOCK® stop. The SURLOCK® is an essential item of safety equipment for our customers. The SURLOCK® is patented.



VE3178	Bracket Ø 76 mm single bolt support SURLOCK®		1.5 kg
FE3113	SURLOCK® wall bracket	(pair)	3 kg
OPTION			
FE3012	Bracket for SURLOCK® fitting	(pair)	1.2 kg





HALF BRACKET



OCTAGONAL HALF BRACKET Ø 76 MM



HALF ROUND BRACKET Ø 76 MM



FITTINGS (UNIT)



HALF BRACKET

THE BRACKETS ARE MADE FROM FLAT STEEL 60 X 5 MM THICKNESS WITH A REINFORCING HUMP. Delivered with SAC144.

HALF BRACKET

OCTAGONAL Ø 76 MM

TR2586	Half bracket OCTAGONAL bare Ø 76 mm	(Pack x 40)	0.3 kg	
TR2587	Half bracket OCTAGONAL 1 way Ø 76 mm	(Pack x 40)	0.8 kg	
TR2588	Half bracket OCTAGONAL 1 way Ø 76 mm	(Pack x 32)	1.3 kg	
OV9951	Half bracket OCTAGONAL Ø 76 mm - Support tube 49 mm		1.2 kg	NEW

HALF BRACKET

ROUND Ø 76 MM

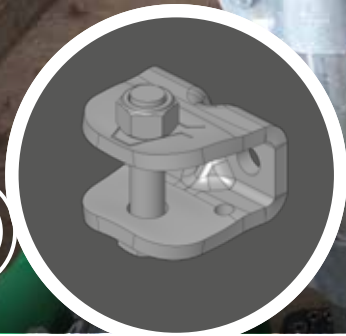
VE2556	Half ROUND bracket bare Ø 76 mm		0.5 kg	
VE3078	Half ROUND bracket Ø 76 mm single bolt support SURLOCK®		1.1 kg	NEW
VE2569	Half ROUND bracket Ø 76 mm double bolt support AUTOLOCK		1 kg	

FITTINGS

(UNIT)

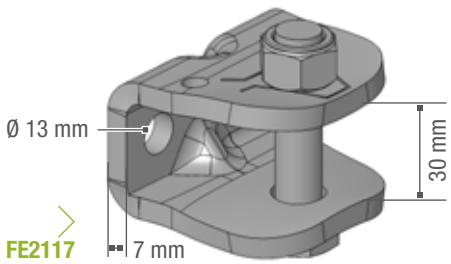
FE3013	SURLOCK® wall bracket (unit)	(Pack x 20)	1.5 kg	NEW
---------------	------------------------------	-------------	--------	------------



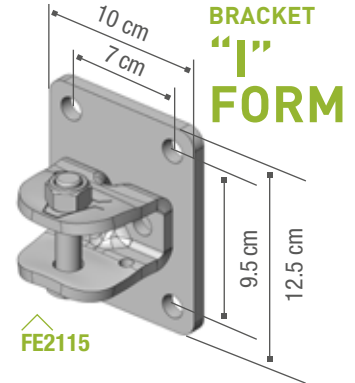
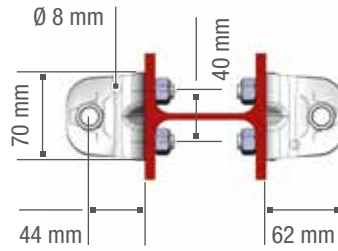


BRACKET (IN PAIR)

MULTIFIX BRACKET

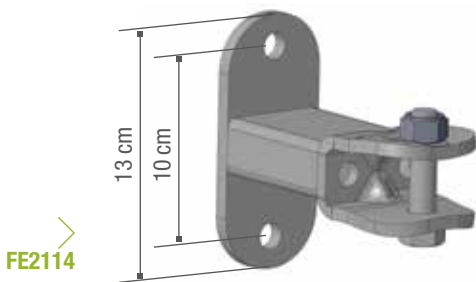


FE2117

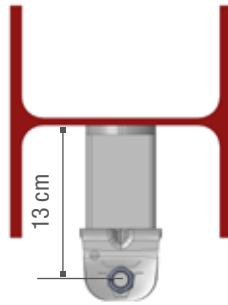


FE2115

EXTENDED MULTIFIX BRACKET

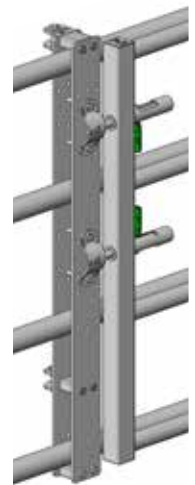


FE2114

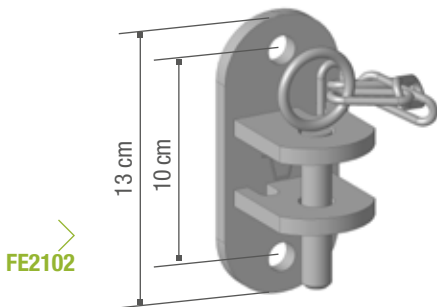


TRIO FITTING

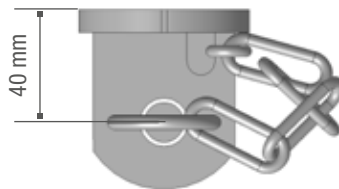
FE2010



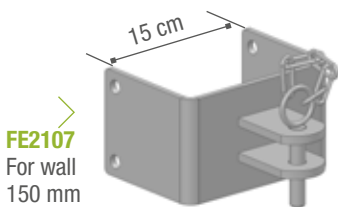
SINGLE BRACKET



FE2102

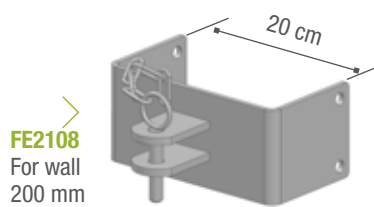


WALL END BRACKET



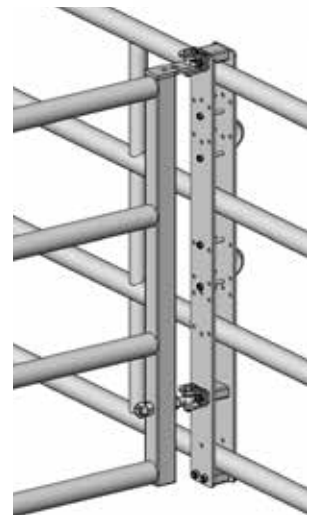
FE2107

For wall
150 mm



FE2108

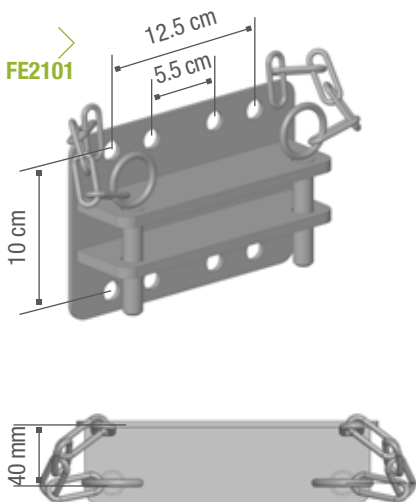
For wall
200 mm



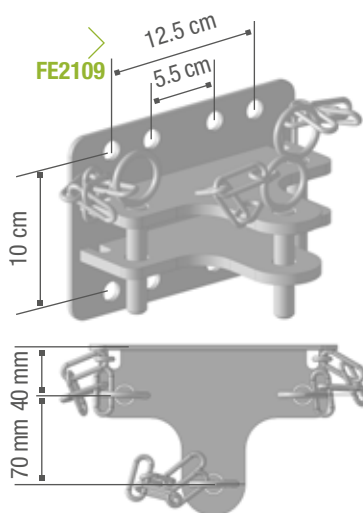
BRACKET (IN PAIR)

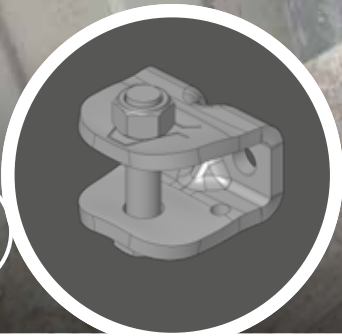
MULTIFIX BRACKET			
FE2117	MULTIFIX bracket with bolt Delivered with 1 bolt Ø 14 mm + nylon nut	(pair)	1.2 kg
FE2099	Short chain with carabiner	(pair)	0.32 kg
MULTIFIX EXTENDED BRACKET			
FE2114	Multifix extended H bracket	(pair)	2.8 kg
SINGLE BRACKET			
FE2102	Single bracket (for partition)	(pair)	2 kg
FE2115	Reinforced bracket "I" form	(pair)	2.7 kg
WALL END BRACKET			
FE2107	For wall of 15 cm	(pair)	8 kg
FE2108	For wall of 20 cm	(pair)	9 kg
DOUBLE BRACKET			
FE2101	Double bracket (for facades)	(pair)	4.4 kg
TRIPLE BRACKET			
FE2109	Triple bracket	(pair)	6 kg
TRIO FITTING			
FE2010	Trio fitting		18.5 kg
OV9935	ROUND bracket Ø 76 mm (for locking 2 gates AUTOLOCK)		1.1 kg

DOUBLE BRACKET



TRIPLE BRACKET





BRACKET (UNIT)

BRACKET (UNIT)

FE2017	MULTIFIX bracket with bolt	(Pack x 60)	0.6 kg
FE2014	Bracket extended MULTIFIX		1.4 kg
FE2002	Single bracket	(Pack x 40)	1 kg
FE2007	Bracket wall end 15 cm		4 kg
FE2008	Bracket wall end 20 cm		4.5 kg
FE2015	Reinforced bracket "I" form		1.35 kg
FE2001	Double bracket		2.2 kg
FE2009	Triple bracket		3 kg
FE2098	Short chain with carabiner		0.16 kg



FE2017



FE2014



FE2002



FE2015



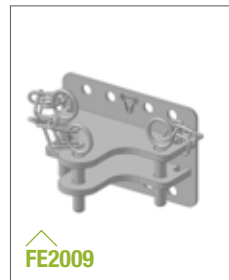
FE2007



FE2008



FE2001



FE2009



FE2098







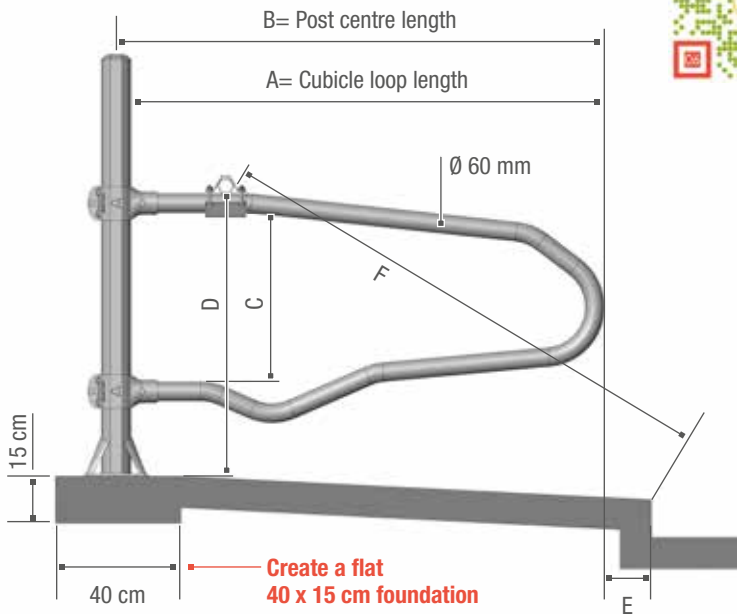
CALF CUBICLE ASSEMBLY

BLS - BLD



ASSEMBLY

EURO CALF BLS

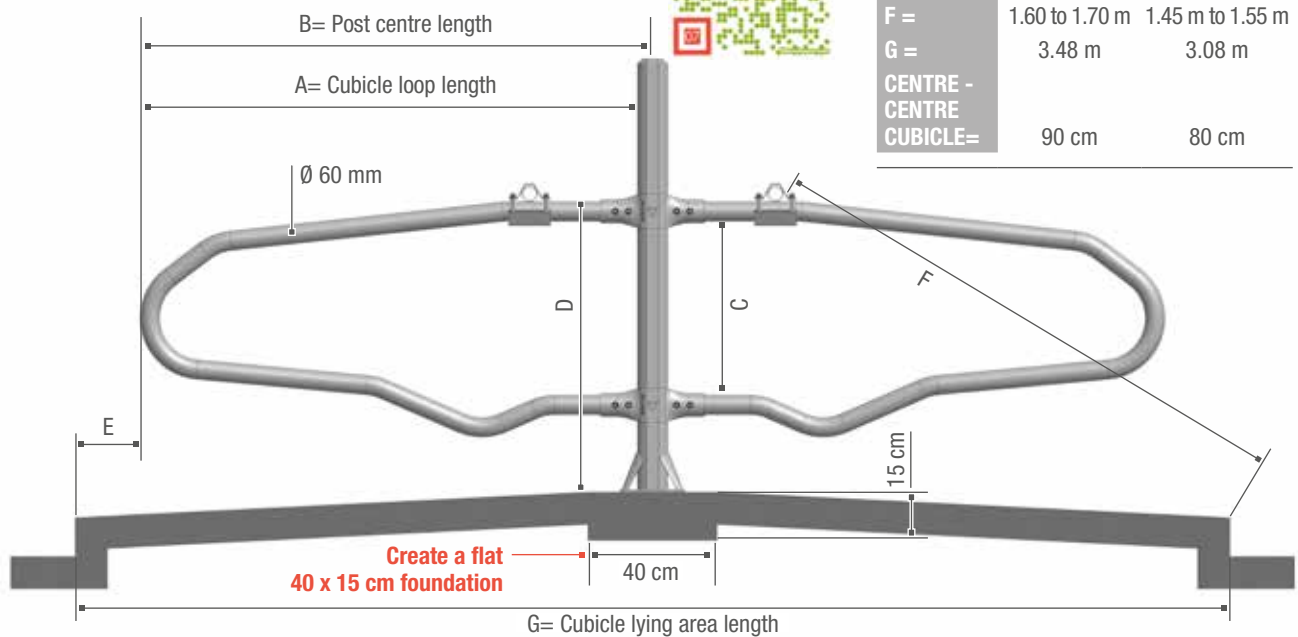


The dimensions are given as an indication. Please adapt them to suit your stock and the lying area.

	EURO CALF 1.50 m 7/12 months	EURO CALF 1.30 m 4/7 months
A =	1.50 m	1.30 m
B =	1.56 m	1.36 m
C =	54 cm	49 cm
D =	80 to 90 cm	76 to 80 cm
E =	15 cm	15 cm
F =	1.60 to 1.70 m	1.45 m to 1.55 m
CENTRE - CENTRE CUBICLE=	90 cm	80 cm

ASSEMBLY

EURO CALF BLD



	EURO CALF 1.50 m 7/12 months	EURO CALF 1.30 m 4/7 months
A =	1.50 m	1.30 m
B =	1.59 m	1.39 m
C =	54 cm	49 cm
D =	80 to 90 cm	76 to 80 cm
E =	15 cm	15 cm
F =	1.60 to 1.70 m	1.45 m to 1.55 m
G =	3.48 m	3.08 m
CENTRE - CENTRE CUBICLE=	90 cm	80 cm

CALF LOOP

L02513	Cubicle loop EURO calf bare L. 1.30 m	11 kg
L02515	Cubicle loop EURO calf bare L. 1.50 m	13 kg



BLS BRACKET

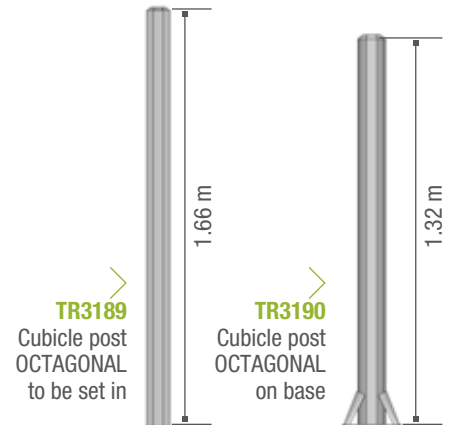
Allow 1 post and a pair of BLS per loop.

L03156	Bracket OCTAGONAL BLS for mounting on an OCTAGONAL post 102 mm (pair)	5.2 kg
---------------	---	--------

BLD BRACKET

Allow 1 post and a pair of BLD for 2 loops.

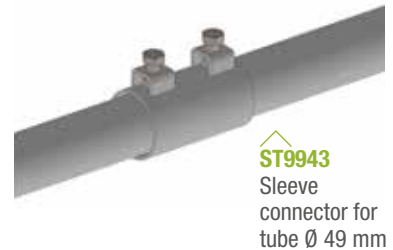
L03157	Bracket OCTAGONAL BLD (double cubicle bracket) for mounting on an OCTAGONAL post 102 mm (pair)	7.2 kg
---------------	--	--------



CUBICLE

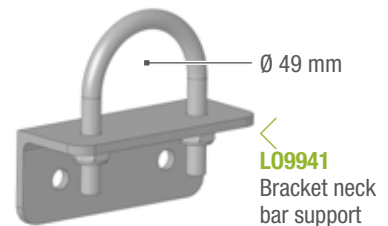
POST

TR3189	Cubicle post OCTAGONAL for setting in 1.66 m	14 kg
TR3190	Cubicle post OCTAGONAL on base 1.32 m	15 kg



NECK BAR

L09936	Bracket Robust 60/49 mm thickness 4 mm	1.7 kg
TU9756	Tube Ø 49 mm bar length 6 m (neck bar)	20 kg
ST9943	Sleeve connector for tube Ø 49 mm	0.5 kg
L09941	Bracket neck bar support Ø 49 mm (unit)	0.6 kg

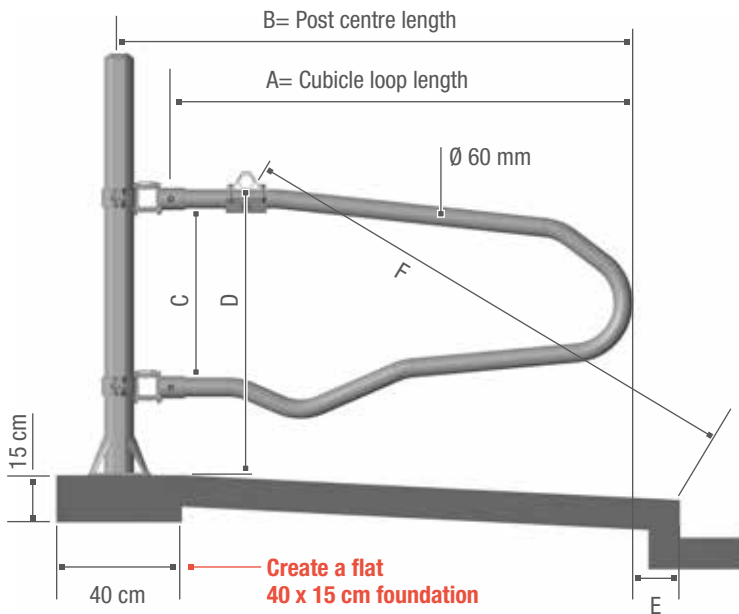




CALF CUBICLE CLICK ASSEMBLY

ASSEMBLY

EURO CALF CLICK SINGLE

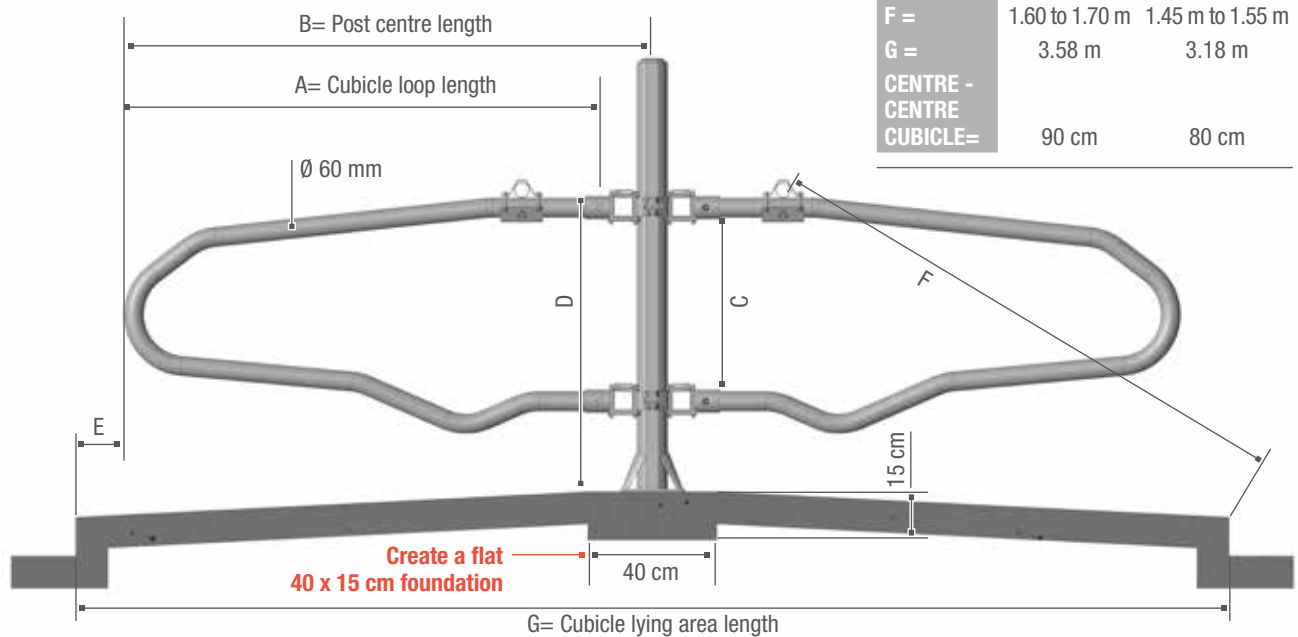


The dimensions are given as an indication. Please adapt them to suit your stock and the lying area.

	EURO CALF 1.50 m 7/12 months	EURO CALF 1.30 m 4/7 months
A =	1.50 m	1.30 m
B =	1.64 m	1.44 m
C =	54 cm	49 cm
D =	80 to 90 cm	75 to 80 cm
E =	15 cm	15 cm
F =	1.60 to 1.70 m	1.45 m to 1.55 m
CENTRE - CENTRE CUBICLE=	90 cm	80 cm

ASSEMBLY

EURO CALF CLICK DOUBLE



	EURO CALF 1.50 m 7/12 months	EURO CALF 1.30 m 4/7 months
A =	1.50 m	1.30 m
B =	1.64 m	1.44 m
C =	54 cm	49 cm
D =	80 to 90 cm	75 to 80 cm
E =	15 cm	15 cm
F =	1.60 to 1.70 m	1.45 m to 1.55 m
G =	3.58 m	3.18 m
CENTRE - CENTRE CUBICLE=	90 cm	80 cm

CALF LOOP

L02513	Cubicle loop EURO calf bare Ø 60 mm L. 1.30 m	11 kg
L02515	Cubicle loop EURO calf bare Ø 60 mm L. 1.50 m	13 kg



CLICK END

Allow 1 pair of CLICK ends per loop.

L03120	Pair of "CLICK" type ends Ø 70 mm	4.8 kg
---------------	-----------------------------------	--------

CUBICLE

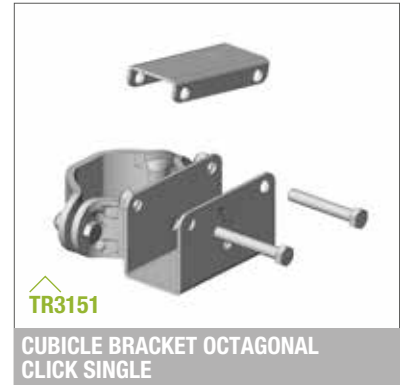
POST

TR3189	Cubicle post OCTAGONAL for setting in 1.66 m	14 kg
TR3190	Cubicle post OCTAGONAL on base 1.32 m	15 kg

BRACKET

CUBICLE OCTAGONAL CLICK SINGLE
(2 brackets per post) thickness 8 mm

TR3151	Cubicle bracket OCTAGONAL CLICK single (unit)	3.2 kg
---------------	---	--------

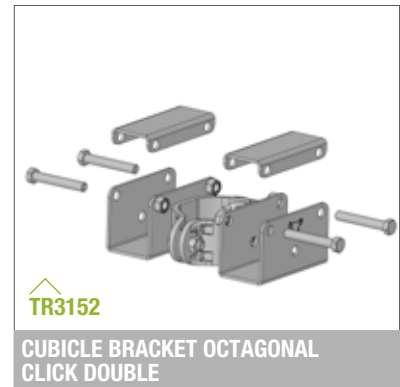


TR3151
CUBICLE BRACKET OCTAGONAL
CLICK SINGLE

BRACKET

CUBICLE OCTAGONAL CLICK DOUBLE
(2 brackets per post) thickness 8 mm

TR3152	Cubicle bracket OCTAGONAL CLICK double (unit)	4.7 kg
---------------	---	--------



TR3152
CUBICLE BRACKET OCTAGONAL
CLICK DOUBLE

NECK BAR

L09936	Bracket Robust 60/49 mm thickness 4 mm	1.7 kg
TU9756	Tube Ø 49 mm bar length 6 m (neck bar)	20 kg
ST9943	Sleeve connector for tube Ø 49 mm	0.5 kg
L09941	Bracket neck bar support Ø 49 mm (unit)	0.6 kg



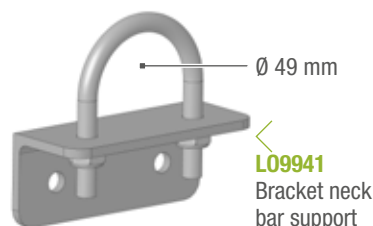
L09936
BRACKET ROBUST THICKNESS 4 MM

FRONTAL BAR

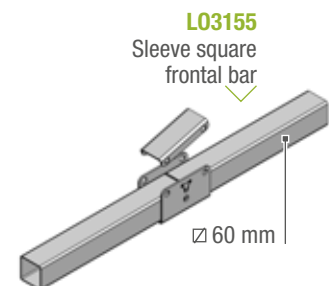
TU9665	Square tube 60 x 60 mm, L 6 m	30 kg
L03155	Sleeve square frontal bar 60 x 60 mm	1.6 kg
L09940	Bracket square frontal bar 60 x 60 mm (pair)	1.2 kg



L09940
Bracket square
frontal bar



L09941
Bracket neck
bar support



L03155
Sleeve square
frontal bar



CALF CUBICLE KONDOR

CALF CUBICLE KONDOR

THIS CUBICLE REPRODUCES THE EXACT FORM OF THE EURO CALF CUBICLE AND ITS POST. It is not adjustable. It is not as strong as a BLS/BLD assembly and can be subject to more corrosion on the front foot. It is attached by Ø 12 mm Rawl bolts, bolted straight into the lying area base.

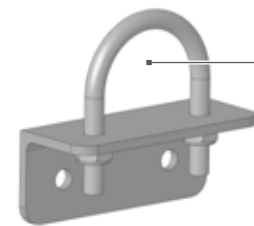
L03114 Cubicle loop KONDOR on plate for calves L. 1.60m 20 kg



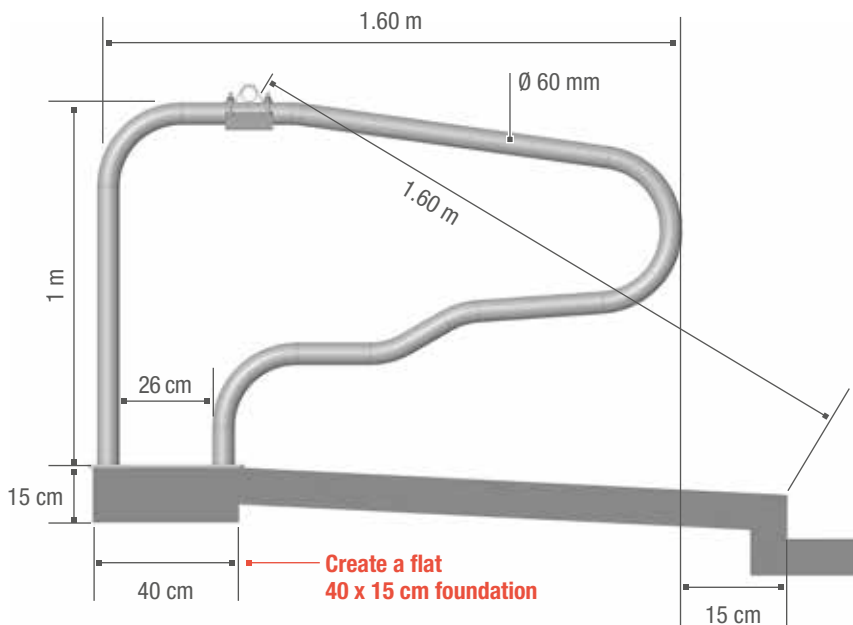
ST9943
Sleeve
connector for
tube Ø 49 mm

NECK BAR

- L09936** Bracket Robust 60/49 mm thickness 4 mm 1.7 kg
- TU9756** Tube Ø 49 mm bar length 6 m (chest bar) 20 kg
- ST9943** Sleeve connector for tube Ø 49 mm 0.5 kg
- L09941** Bracket neck bar support Ø 49 mm (unit) 0.6 kg



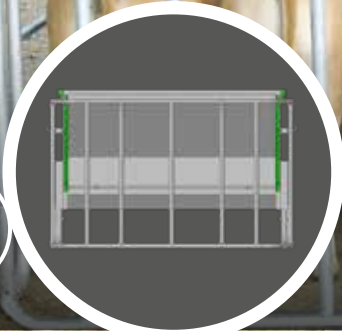
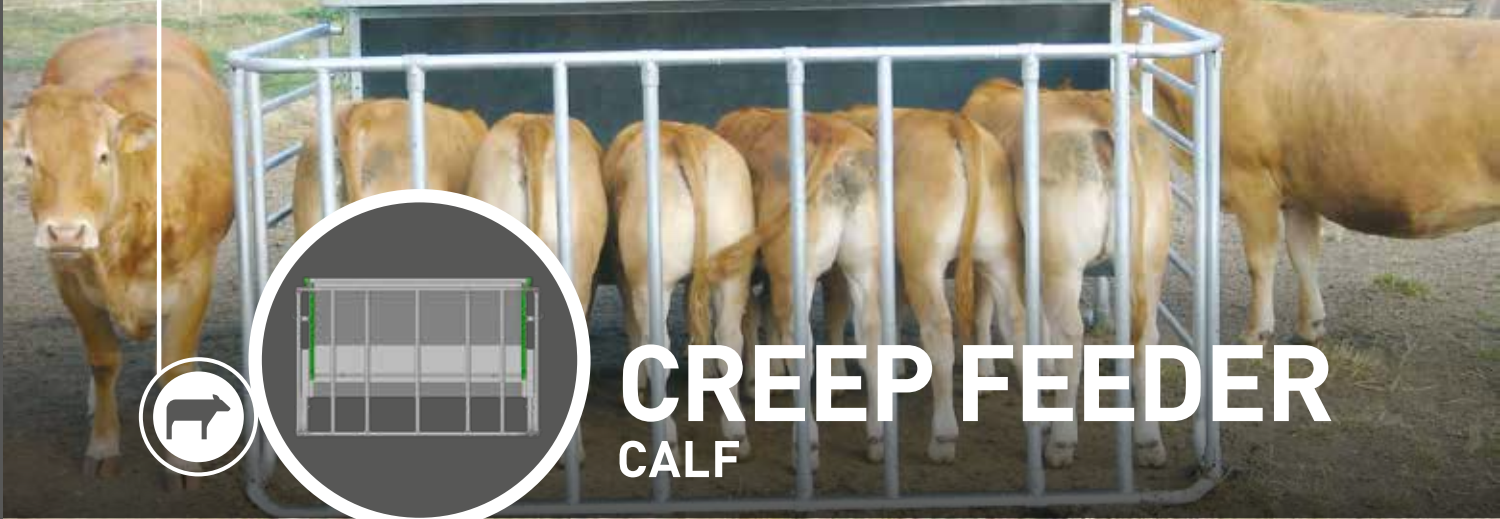
Ø 49 mm
L09941
Bracket neck
bar support



The distance between cubicle centres is between 80 and 90 cm. The dimensions are given as an indication. Please adapt them to suit your stock and the lying area.

! **IMPORTANT!** In order to prevent corrosion steel in zinc due to prolonged contact with silage, slurry or muck, it is recommended that bituminous paint TR0005 should be applied before use, and periodically thereafter, in order to protect the equipment: post feet, barrier and cubicle bottoms, knee bars, brackets...





CREEP FEEDER

CALF

CREEP FEEDER

2,20 M

N07000



1,37 m

4 Adjustable creep passages

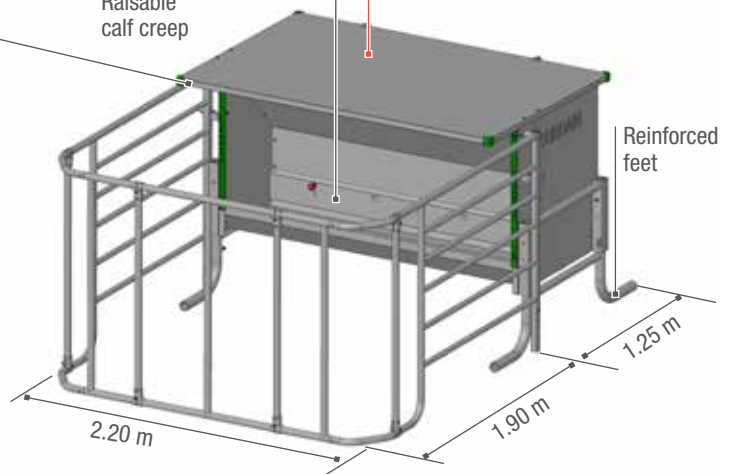
Internal roof reinforcing

Raisable calf creep

Flow control shutter

capacity 950 Litres

Reinforced feet



2.20 m

1.90 m

1.25 m

BIG CREEP FEEDER

3 M

N08000



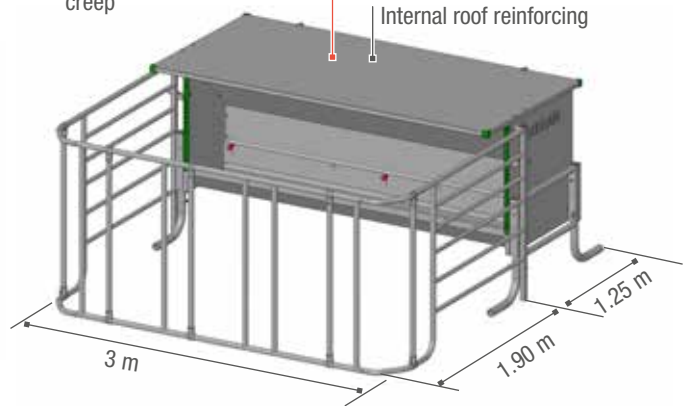
1,37 m

5 Adjustable creep passages

Raisable calf creep

Capacity 1,350 Litres

Internal roof reinforcing



3 m

1.90 m

1.25 m



ROOF AND NECK GUARDS AS STANDARD



LOCKING ROOF

GALVANISED CREEP FEEDER

BIG ANTI-WASTE TROUGH. It is possible to feed adult cattle, including heavily horned animals either with the calf creep in the raised position or without the creep attached.

- The calf creep height prevents the adult animals from reaching over.
- The anti-waste trough is well sheltered by the overhanging roof. Adjustable flow.
- The back of the feeder can be hitched to a three-point linkage for transport, but only when it is empty with the creep raised.

FOR ROAD TRANSPORT, COMPLY WITH THE HIGHWAY CODE.

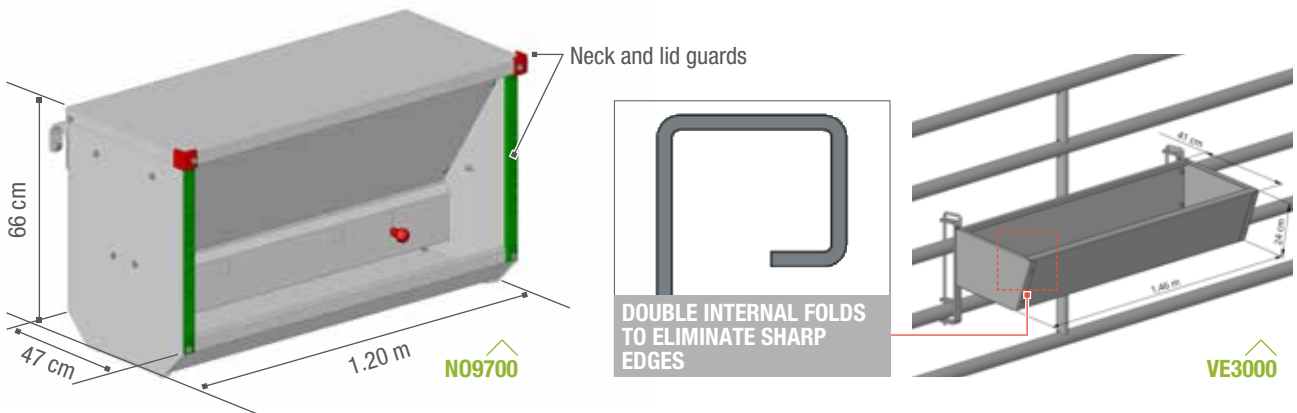
CREEP FEEDER 2.20 M			
N07000	Creep feeder 2.20 m	(Pack x 2)	333 kg
N07020	Creep feeder pen 2.20 m		82 kg
BIG CREEP FEEDER 3 M			
Back reinforced with 70 mm tube for transport when empty.			
N08000	Big creep feeder 3m	(Pack x 2)	456 kg
N08020	Big creep feeder pen 3 m		94 kg
BARRIER MOUNTED CALF FEEDER			
Movable feeder for supplementary feeding made from steel sheet 20/10 ^{ths} . Opening lid.			
N09700	Calf feeder on barrier (neck protection included)	(Pack x 4)	65 kg

SMALL TROUGH

BARRIER MOUNTED

MOVABLE SUPPLEMENTARY BARRIER MOUNTED TROUGH FEEDER MADE FROM 20/10TH STEEL SHEET. Tilted for better animal access. Held by pins and raisable thanks to its brackets. Will fit EX 4 or EX 5 barriers.

VE3000	Barrier mounted trough L. 1.50 m	26 kg
---------------	----------------------------------	-------





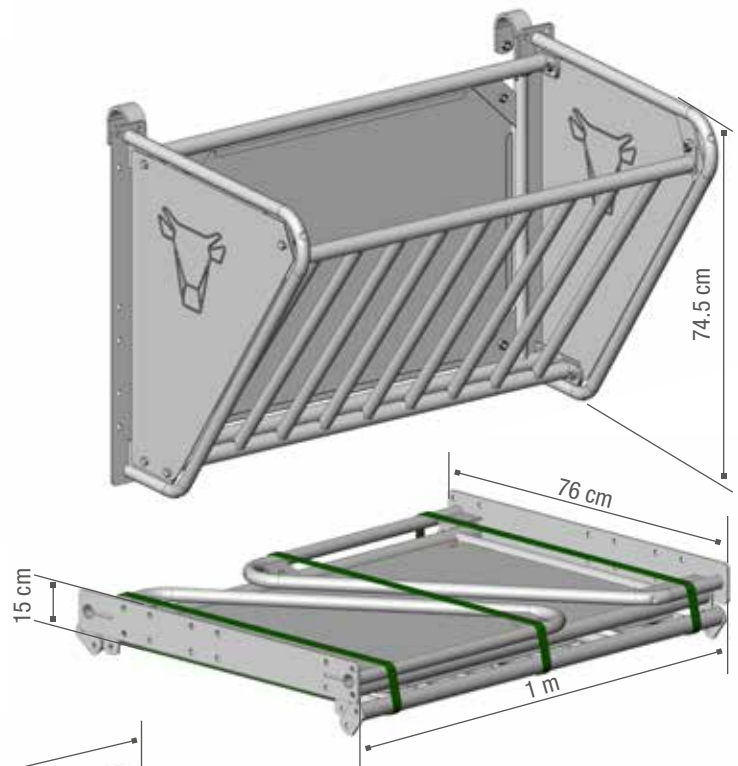
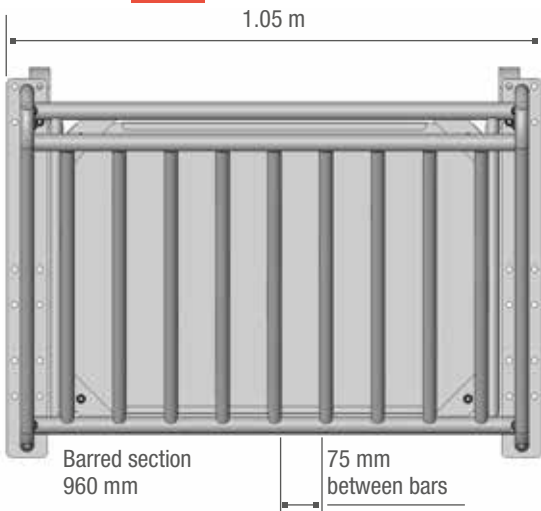
HAY RACK

SMALL ANIMALS

MODULAR CALF HAY RACK

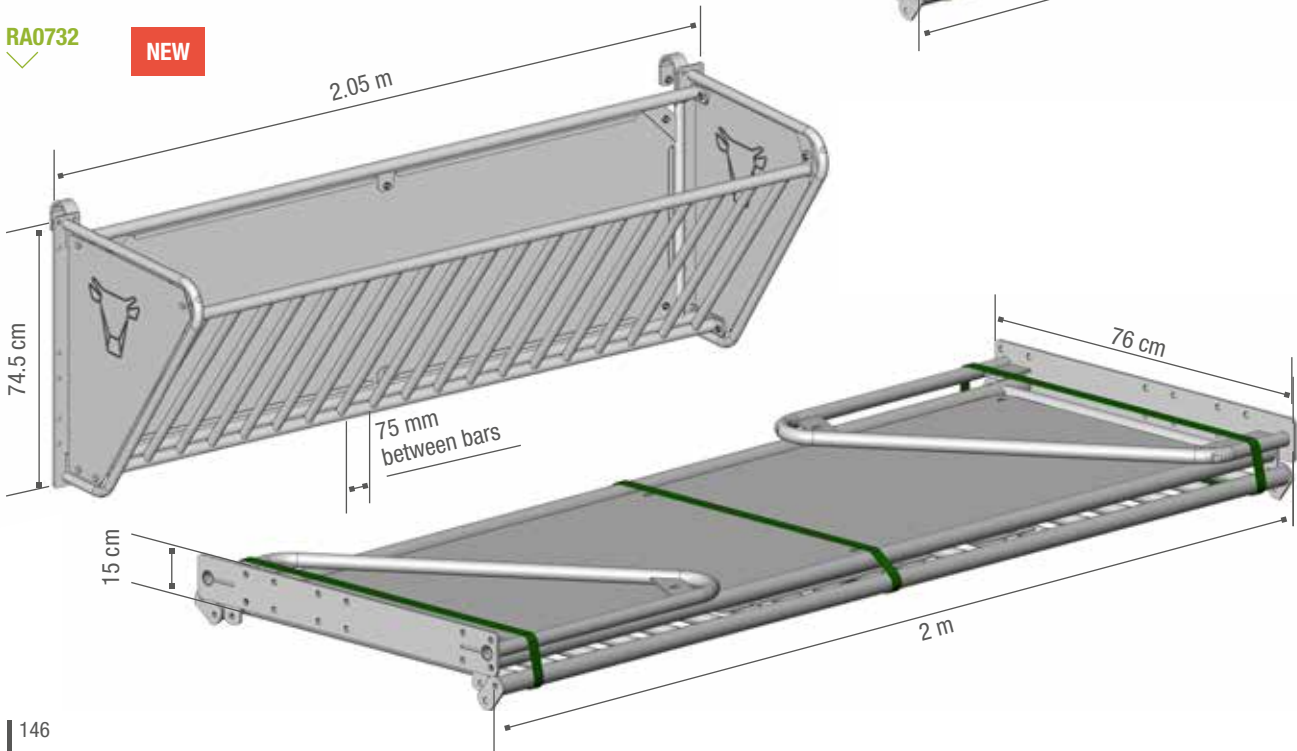
RA0731

NEW



RA0732

NEW



MODULAR CALF HAY RACK

INTENDED FOR SMALL ANIMALS ONLY

MODULAR HAY RACK FOR SMALL ANIMALS MADE FROM SECTIONS THAT ARE BOLTED TOGETHER. ROBUST DESIGN, IT IS MADE USING Ø 27 MM AND Ø 34 MM TUBE, WITH A STEEL SHEETED BACK. The ends are sheeted for animal safety, this model can be attached to EX barriers or field barriers it can even be wall mounted. The hay rack is delivered in kit form and available in lengths of 1 m and 2 m.

RA0731	Modular calf hay rack L. 1 m	(Pack x 6)	45.6 kg	NEW
RA0732	Modular calf hay rack L. 2 m	(Pack x 6)	70.4 kg	NEW

HAY RACK

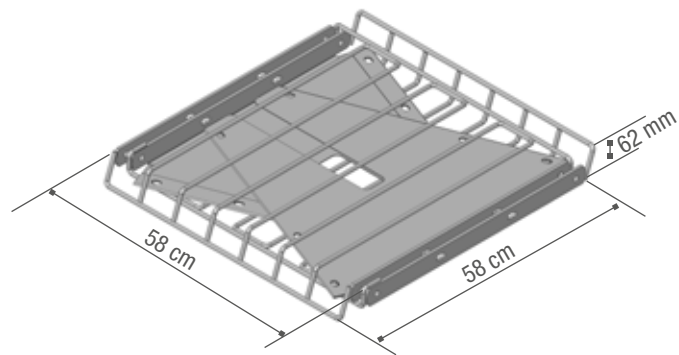
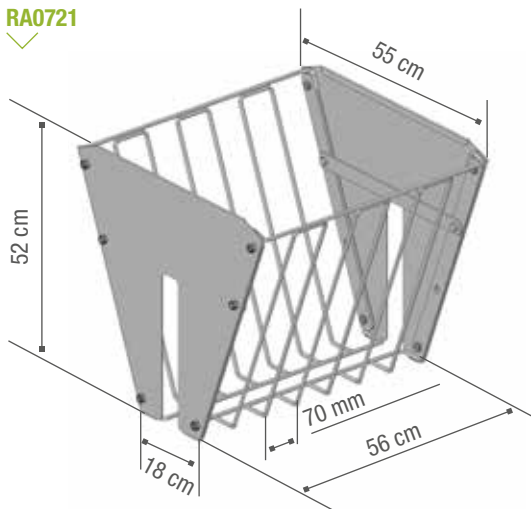
SMALL ANIMALS

Made using Ø 8 mm weld mesh. Designed to straddle a partition, field gate or a side barrier.

RA0721	Hay rack for small animals	(Pack x 6)	15 kg
---------------	----------------------------	------------	-------

SMALL ANIMAL HAY RACK

RA0721





CALF PEN

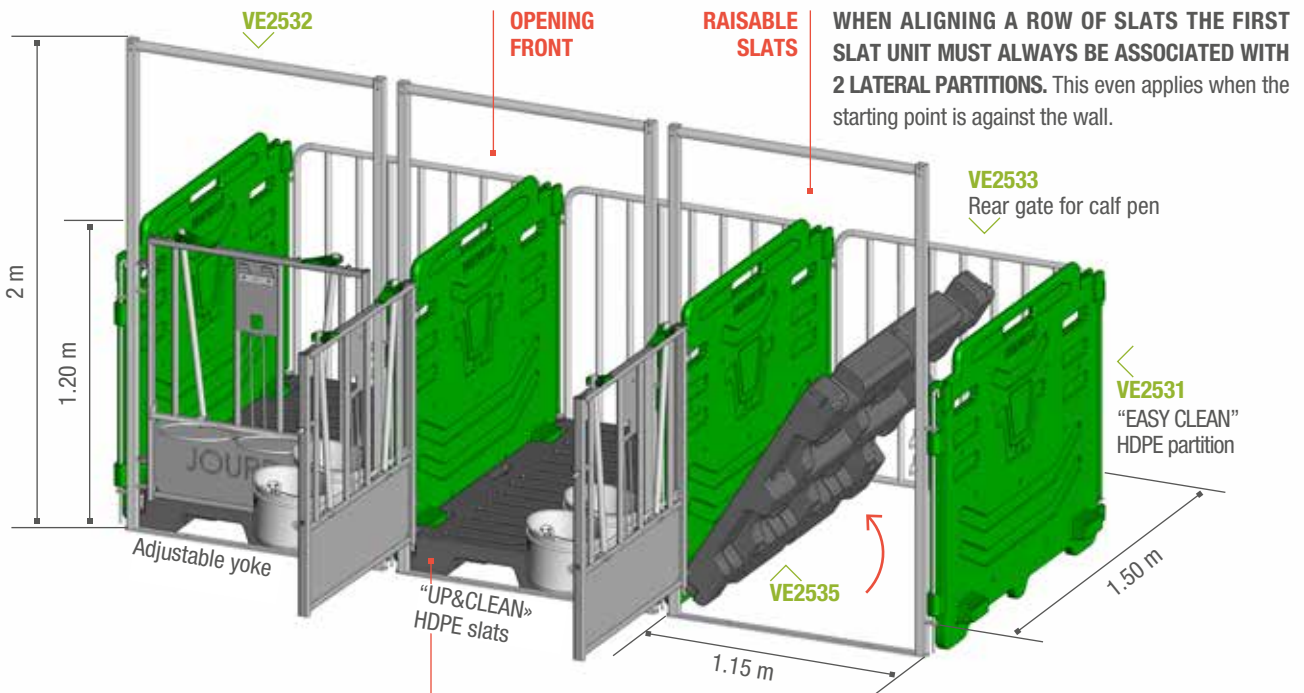
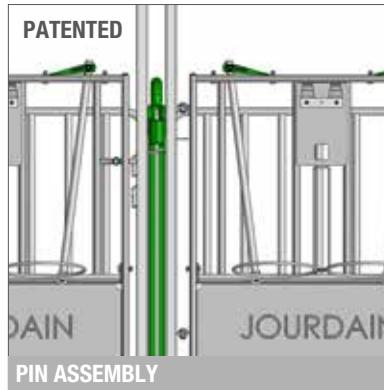
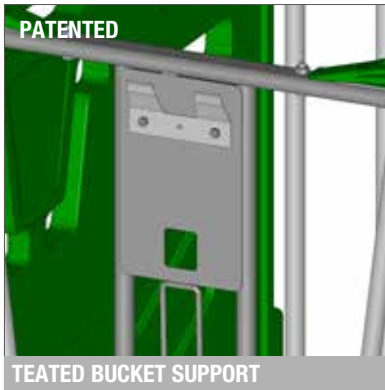
PARTITION MADE FROM HDPE (HIGH-DENSITY POLYETHYLENE) DOUBLE SKINNED, SHOCK RESISTANT.

“UP & CLEAN” HDPE nonslip, raisable plastic slats. When attached the raised position, cleaning is easy with no obstacles on the ground. Opening front with safety bolt 2 headlock places, 2 folding bucket holders Ø 285 mm and a holder for a teated bucket. Quick assembly with pins, either in line or back to back.

YouTube ENTER JOURDAIN



DELIVERED WITH 2 BUCKETS AS STANDARD Ø 28.5 cm, teated bucket as an option.



! ATTENTION!
Disinfectants may discolour the partitions and the slats.

EASY CALF ACCESS Slat height=15 cm

EASY CLEAN CALF PEN

FOR CALVES OF UP TO 6 WEEKS OLD

VE2531	Composite side green "EASY CLEAN" 2 pins - height: 1.2 m	(Pack x 11)	13 kg
VE2532	Front for calf pen EASY CLEAN 2 buckets Ø 28.5 cm	(Pack x 10)	37 kg
VE2535	Composite slats "UP & CLEAN"	(Pack x 10)	22 kg
VE2533	Rear gate for calf pen		16 kg
VE2537	Side pin for calf pen (unit)		1 kg
VE2539	Flat wall brackets for calf pen (pair)		1.1 kg
VE2545	Bucket 12 L Ø 28.5 cm	(Pack x 4)	0.55 kg
VE2546	Teat buckets	(Pack x 5)	0.72 kg
VE2549	Single bucket teat		0.05 kg



HAY RACK

SMALL ANIMALS

Made using Ø 8 mm weld mesh. Designed to straddle a partition, field gate or a side barrier.

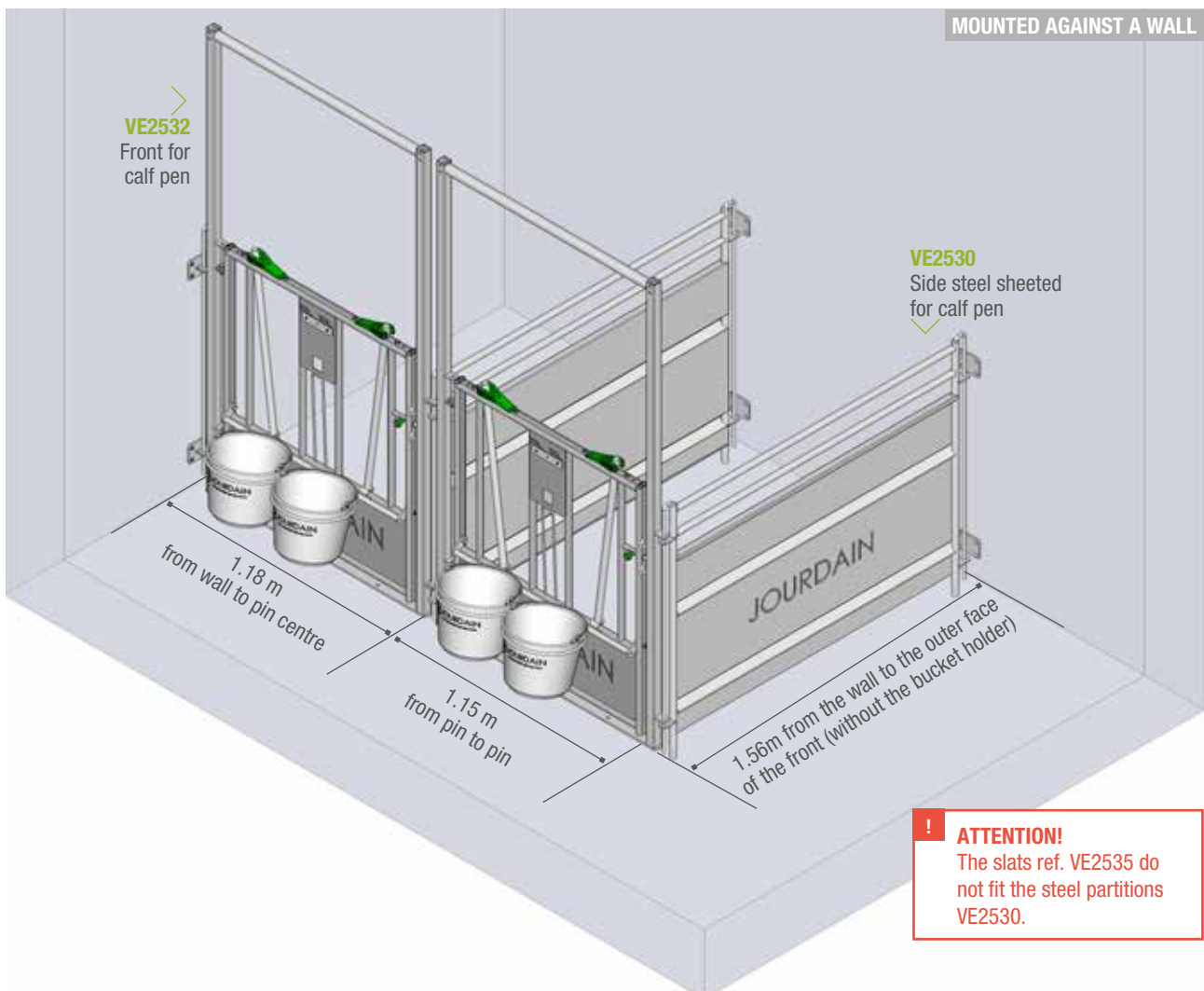
RA0721	Hay rack for small animals	(Pack x 6)	15 kg
---------------	----------------------------	------------	-------



METAL CALF PEN

FOR CALVES OF UP TO 6 WEEKS OLD

VE2530	Side steel sheeted for calf pen 2 pins	(Pack x 11)	23 kg
---------------	---	-------------	-------









GALVANISATION STORAGE

VERY IMPORTANT

THE HOT GALVANISATION PROCEDURE AND STORAGE RECOMMENDATIONS

All of our products are hot galvanised in compliance with the ISO 1461 standard. Galvanisation provides a zinc-based surface covering that is aimed to protect steel from corrosion.

Thanks to their design, all of our products are totally protected both on the outside and the inside thanks to the hot dipping technique where they are immersed in a liquid zinc bath that is maintained at 450°C.

The 1461 standard “Hot dip galvanized coatings on fabricated iron and steel articles” defines the properties, the minimal thicknesses and the characteristics of the hot dip galvanisation coating, together with the trial methods for checking the thickness of the zinc per surface area unit, its aspect and adherence, as well as the criteria for conformity.

Depending on the design of the part, the chemical composition of the steel, its thickness, its surface aspect and other technical parameters, the thicknesses of the zinc that has been deposited are variable but always within the indicated values defined in the 1461 standard.

Our galvanisation factory partner has ISO 9001 certification.

The zinc, when exposed to the atmosphere, reacts naturally with the ambient elements: moisture, oxygen, carbonic gases... and forms a film. This results in a reduction of the surface’s metallic shininess where the aspect is concerned.

The film produced is insoluble, with a high level of adherence and provides added protection to the coating.

However the structure of this film is altered when it is in contact with stagnant water, and white stains with a low level of adherence and no protective characteristics are quickly formed. The level of protection provided by the zinc is not altered.

Galvanised equipment must only be stored on tannin free wood, and under no circumstances should it be left in contact with the ground. Air must be able to move freely around the different pieces, and stagnating water must be avoided.

Prolonged contact with slurry, farmyard manure, urine, silage, weedkillers, fertiliser, road protection products, pesticides, disinfectants or any other chemical product can lead to, in certain cases, rapid alteration of the zinc protective coating.

! **IMPORTANT!** In order to prevent corrosion steel in zinc due to prolonged contact with silage, slurry or muck, it is recommended that bituminous paint TR0005 should be applied before use, and periodically thereafter, in order to protect the equipment: post feet, barrier and cubicle bottoms, knee bars, brackets...





IMPORTANT INFORMATION

This Price list - Catalogue remains JOURDAIN's property.

The reproduction of our texts, notices, diagrams or photographs, even partially, is absolutely forbidden. The photographs shown in this catalogue are noncontractual.

JOURDAIN is continually trying to improve the efficiency of its equipment, and therefore reserves the right to modify, without prior warning, and without it being held against the company, the characteristics of the models shown in this brochure.

Although the conditions imposed on our suppliers, and the detailed checks that are carried out at all levels of production enable us to give the accurate weights of our products, it is possible that there may be variations of +/-2% which may be largely due to the different quantities of zinc held inside tubes after each dipping.



When transporting products such as: hay racks, feeders, transpanel... It is absolutely imperative that the highway code is complied with. Under no circumstances can SAS JOURDAIN be held responsible in the event of an accident.

In order to have the optimum use from products, it is essential to check that everything is correctly tightened and that any moving parts are lubricated regularly.

Despite all the attention to detail that we put into the design of our products with animal welfare and maximising safety as our top priorities, JOURDAIN cannot be held responsible for any accident involving an animal.

The knowledge and the daily surveillance of the livestock by the stockman remain the most reliable means of accident prevention.

CORROSION

OF GALVANISED STEEL AND PARASITE ELECTRIC CURRENTS

All JOURDAIN products are galvanised in compliance with the 1461 standard in just the same way as all the other livestock equipment on the market.

However, depending on its environment, there can even be a risk of galvanised steel corroding in the medium to long-term in spite of its surface treatment.

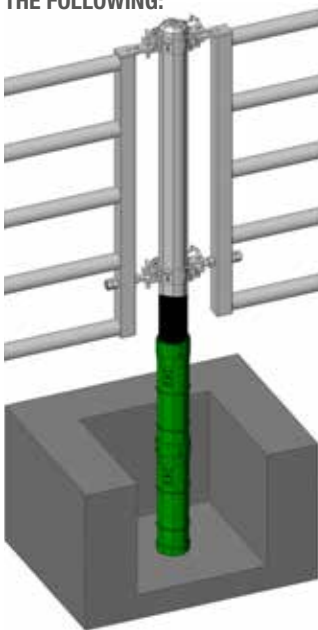
The evolution of the composition of livestock rations, veterinary products, maintenance products, chemical sprays or a combination of the aforementioned can be factors that are capable of altering the zinc protective coating.

This mix works in the same way as a battery: contact with oxygen and acted on by the electricity present in the installation (parasite, static, telluric ...), leading to the zinc's structure being modified and the protective film altered. Due to this, the phenomenon of corrosion can appear in a very short time.



The end result being that there are multiple causes of corrosion that are sometimes difficult to detect in order to provide an explanation of why we are seeing what we do on posts.

HOWEVER, IN ORDER TO PREVENT THIS PHENOMENON, WE STRONGLY ADVISE THE FOLLOWING:



Double sleeve
(first sleeve set in)
+
Bituminous paint
(we strongly advise that it
is renewed annually)



AN ULTRAMODERN FACTORY

AT ESCRENNES
IN FRANCE



JOURDAIN'S LIVESTOCK PRODUCTS ARE MANUFACTURED ON A UNIQUE AND ULTRAMODERN SITE COVERING 27 HECTARES, OF WHICH 88,000M² ARE UNDERCOVER, AND ENDOWED WITH AN EXCEPTIONAL INVENTORY:

160 MACHINE TOOLS

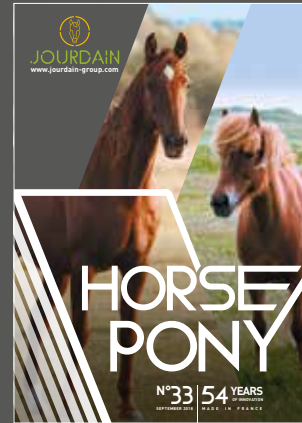
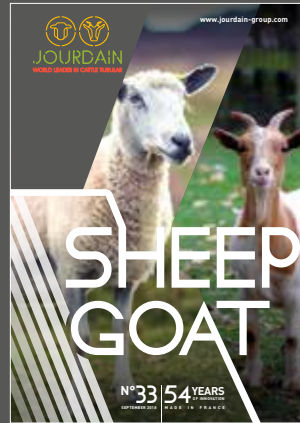
115 ROBOTS

220 EMPLOYEES



GENERAL TERMS AND
CONDITIONS OF SALE
AVAILABLE ON OUR WEBSITE:
www.jourdain-group.com

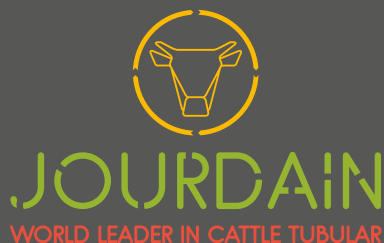
JOURDAIN ALSO OFFERS:



54 YEARS
OF INNOVATION
MADE IN FRANCE

MORE THAN 1200 DISTRIBUTORS

JOURDAIN WORKS IN CLOSE COLLABORATION WITH MORE THAN 1200 DISTRIBUTORS PROVIDING THOUSANDS OF SALES OUTLETS WORLDWIDE. THIS NETWORK IS BASED ON A TRUE PARTNERSHIP THAT LINKS THE MEMBERS OF JOURDAIN'S TEAMS TO THE MEMBERS OF THE DISTRIBUTION NETWORK.



DEALER:

www.jourdain-group.com

ZI de Violaine - 45300 Escrennes - FRANCE - Tel. +33 (0)2 38 34 00 00 - Fax +33 (0)2 38 34 02 99 - contacts@jourdain-group.com